

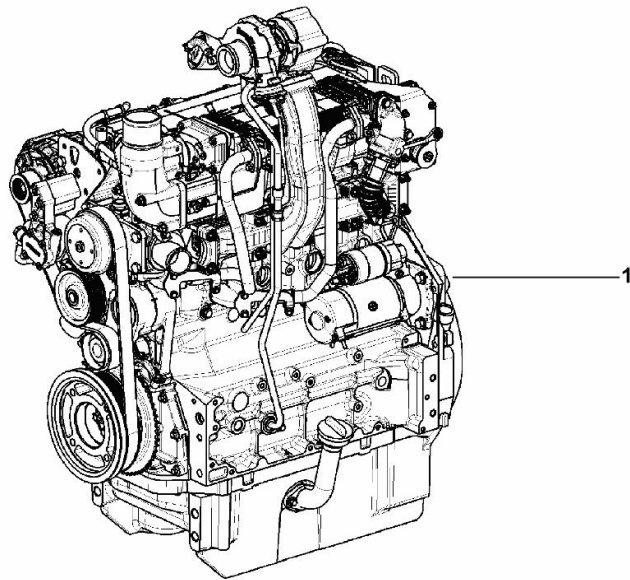
ENGINE

Fig.	P/n	QTY	Name
------	-----	-----	------

Notes:

[Agrotron M 410 Profiline]

1	25009279	1	engine ON ORDERING PLEASE ENGINE NO. REQUIRED
---	----------	---	---



K9_O8819_01_0-A-001

Section: B0 - ENGINE
SERIE GUARNIZIONI

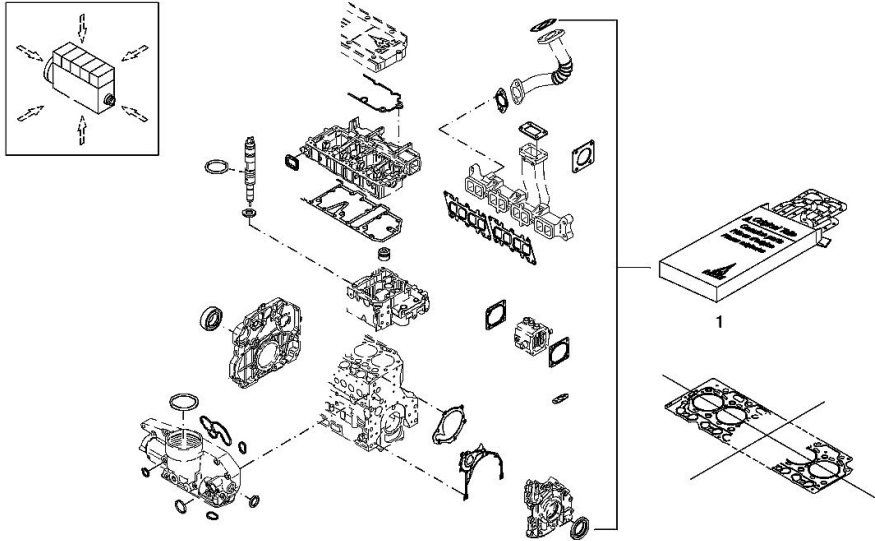
Fig.	P/n	QTY	Name
------	-----	-----	------

Notes:
 [Agrotron M 410 Profiline]

Engine serial number:

10858275 10873240 10889037 10889038 10889039 10889040 10889041 10889042 10889611 10889612 10889613
 10889614 10889615 10889616 10889617 10891612 10891618 10891624 10891626 10891627 10907319 10907321
 10907323 10907324 10909618 10909985 10909986 10911284 10911292 10913481 10913482 10913483 10913484
 10913993 10913994 10915043 10915049 10916392 10932391 10934817 10934819 10934820 10934825 10950870
 10951467 10954514 10954517 10954519 10954520 10955663 10955664 10955665 10955667 10964151 10964155
 10965723 10965725 10975892 10977473 10977474 10986438 11010345 11010347 11010349 11022029 11023118
 11024898 11024899 11024900 11024930 11024931 11024932 11027037 11027038 11029282 11031669 11031670
 11031671 11031672 11031673 11031674 11034733 11034736 11051075 11054718 11054719 11054721 11055427
 11055429 11059378 11060875 11060876 11061026 11061027 11061028 11061029 11062970 11062971 11062972
 11065767 11065768 11065770 11072412 11101019 11101020 11101021 11103332 11106943 11110572 11110573
 11110574 11110575 11110576 11114160 11127680 11129932 11129939 11134147 11134575 11134576 11134581
 11134587 11134595 11134604 11134977 11134979 11135147 11135149 11135153 11135161 11135163 11136339
 11137325 11137326 11151678 11166975 11166976 11166977 11170492 11174724

003 ©



1	02937589	1	gasket set THE KIT DOES NOT CONTAIN ALL THE GASKETS: SEE SM 0199-99-9449
---	----------	---	--

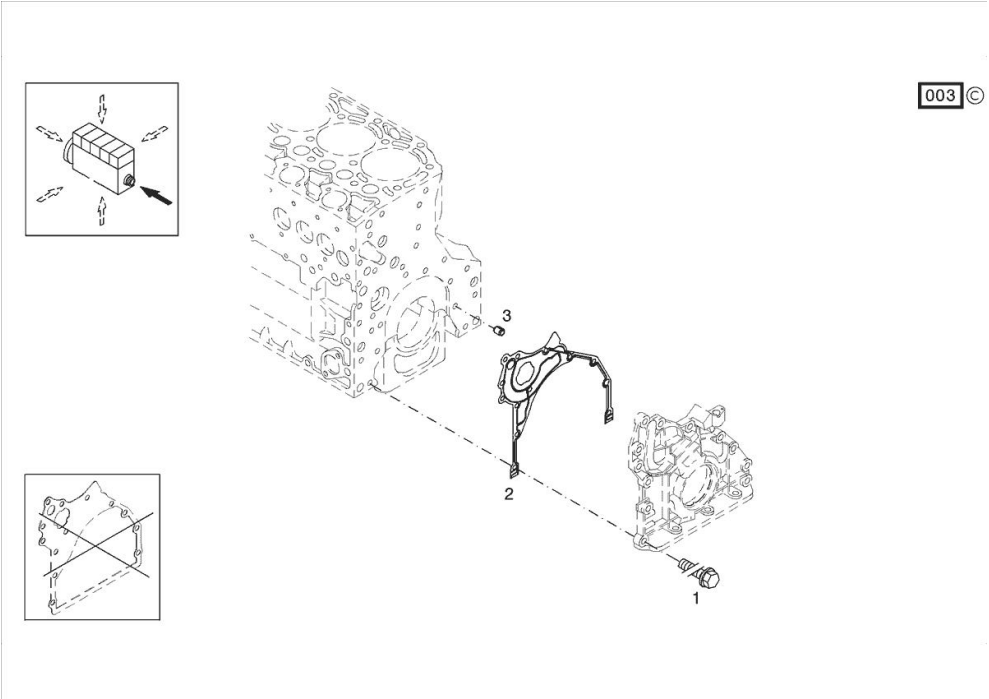
FASTENINGS

Fig.	P/n	QTY	Name
------	-----	-----	------

Notes:
 [Agrotron M 410 Profiline]

Engine serial number:
 10858275 10873240 10889037 10889038 10889039 10889040 10889041 10889042 10889611 10889612 10889613
 10889614 10889615 10889616 10889617 10891612 10891618 10891624 10891626 10891627 10907319 10907321
 10907323 10907324 10909618 10909985 10909986 10911284 10911292 10913481 10913482 10913483 10913484
 10913993 10913994 10915043 10915049 10916392 10932391 10934817 10934819 10934820 10934825 10950870
 10951467 10954514 10954517 10954519 10954520 10955663 10955664 10955665 10955667 10964151 10964155
 10965723 10965725 10975892 10977473 10977474 10986438 11010345 11010347 11010349 11022029 11023118
 11024898 11024899 11024900 11024930 11024931 11024932 11027037 11027038 11029282 11031669 11031670
 11031671 11031672 11031673 11031674 11034733 11034736 11051075 11054718 11054719 11054721 11055427
 11055429 11059378 11060875 11060876 11061026 11061027 11061028 11061029 11062970 11062971 11062972
 11065767 11065768 11065770 11072412 11101019 11101020 11101021 11103332 11106943 11110572 11110573
 11110574 11110575 11110576 11114160 11127680 11129932 11129939 11134147 11134575 11134576 11134581
 11134587 11134595 11134604 11134977 11134979 11135147 11135149 11135153 11135161 11135163 11136339
 11137325 11137326 11151678 11166975 11166976 11166977 11170492 11174724

1	01183645	12	screw EN 1662 -F-M8X35-10.9-ZNAL-A
2	04504325	1	gasket
3	01181406	1	bushing H 2341 -B11X8-FE/ZN12C*

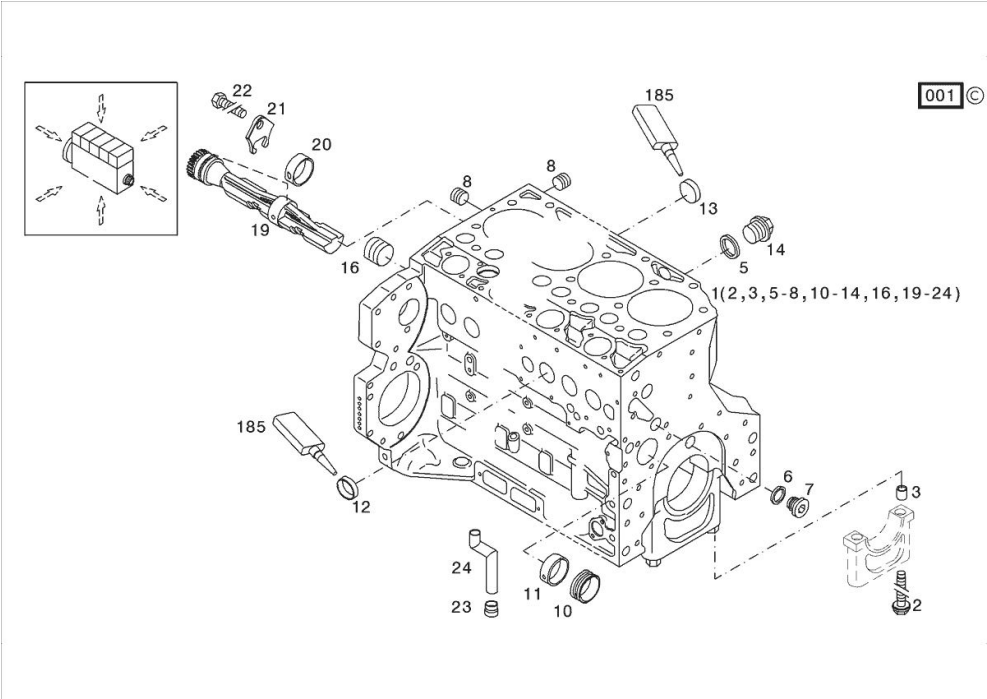


Section: B0 - ENGINE
KURBELGEHAEUSE

Fig.	P/n	QTY	Name
------	-----	-----	------

Notes:
 [Agrotron M 410 Profiline]

Engine serial number:
 10858275 10873240 10889037 10889038 10889039 10889040 10889041 10889042 10889611 10889612 10889613
 10889614 10889615 10889616 10889617 10891612 10891618 10891624 10891626 10891627 10907319 10907321
 10907323 10907324 10909618 10909985 10909986 10911284 10911292 10913481 10913482 10913483 10913484
 10913993 10913994 10915043 10915049 10916392 10932391 10934817 10934819 10934820 10934825 10950870
 10951467 10954514 10954517 10954519 10954520 10955663 10955664 10955665 10955667 10964151 10964155
 10965723 10965725 10975892 10977473 10977474 10986438 11010345 11010347 11010349 11022029 11023118
 11024898 11024899 11024900 11024930 11024931 11024932 11027037 11027038 11029282 11031669 11031670
 11031671 11031672 11031673 11031674 11034733 11034736 11051075 11054718 11054719 11054721 11055427
 11055429 11059378 11060875 11060876 11061026 11061027 11061028 11061029 11062970 11062971 11062972
 11065767 11065768 11065770 11072412 11101019 11101020 11101021 11103332 11106943 11110572 11110573
 11110574 11110575 11110576 11114160 11127680 11129932 11129939 11134147 11134575 11134576 11134581
 11134587 11134595 11134604 11134977 11134979 11135147 11135149 11135153 11135161 11135163 11136339
 11137325 11137326 11151678

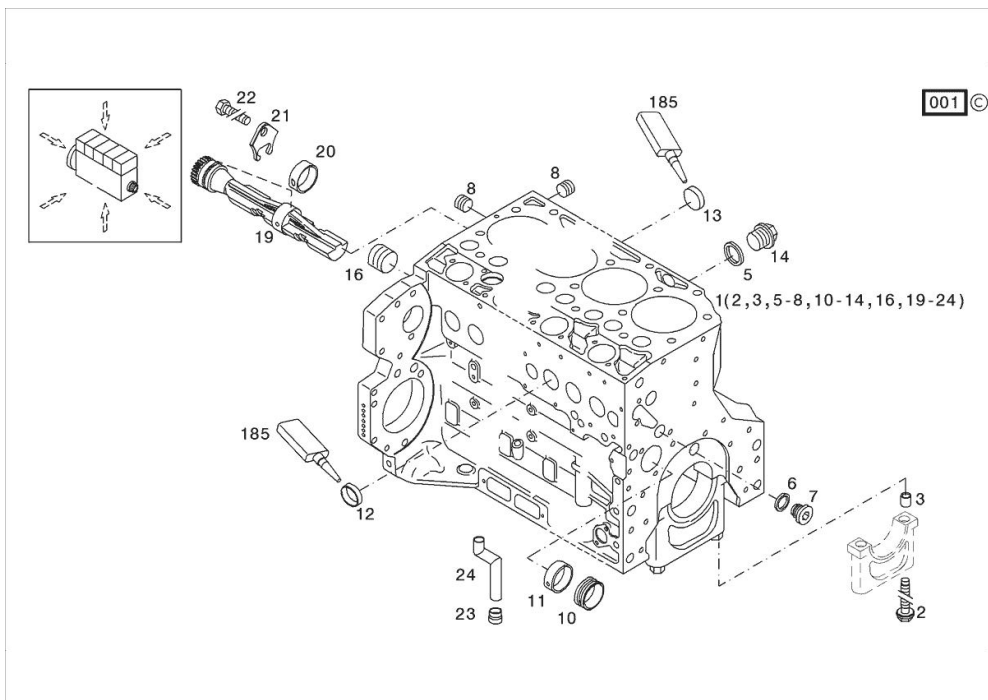


185	01319910	1	guard
1	04297348	1	crankcase MIT POS.... (2,3,5-8,10-14,16,19-24)
2	04254240	10	screw 50 Nm , 90° , 90°
3	04160764	10	bushing
5	01118693	2	gasket 14x20 DIN 7603 -A14X20-CU
6	01101342	1	oil seal DIN 7603 -D22X27-CU
7	04292706	1	plug 80 Nm
8	01182031	2	screw 35 Nm H 2812 -906-M14X1,5-ST-A3C-LOCTITE506
10	04251884	4	plug
11	04250086	1	ring
12	01148032	6	cover DIN 443 -A45-ZNPHR
13	01148031	3	plug DIN 443 -A36-ZNPHR
14	01100940	2	screw 35 Nm DIN 7604 -AM14X1,5-ST-A4C
16	04226536	1	bottom 30 Nm

Section: B0 - ENGINE

KURBELGEHAEUSE

Fig.	P/n	QTY	Name
19	04298246	2	shaft
20	04252834	4	bush
21	04251810	2	plug
22	01181672	2	nut
			29 Nm
			H 2091 -4017-M8X16-10.9-GESCHW-MK-1.0
23	04255998	1	ring
24	04291215	1	tube



Section: B0 - ENGINE
CRANKCASE BREATHER

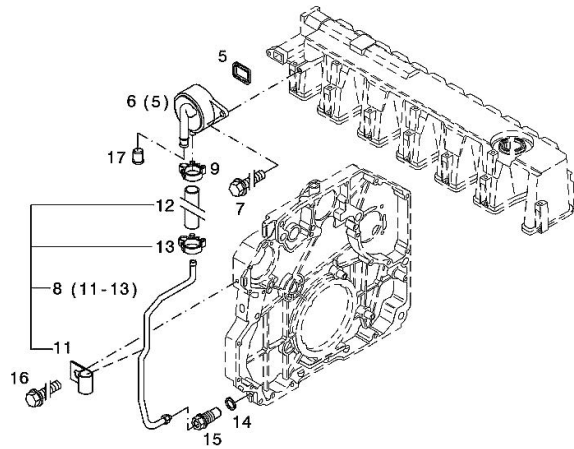
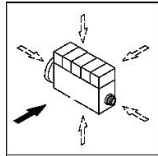
Fig.	P/n	QTY	Name
------	-----	-----	------

Notes:
 [Agrotron M 410 Profiline]

Engine serial number:

10858275 10873240 10889037 10889038 10889039 10889040 10889041 10889042 10889611 10889612 10889613
 10889614 10889615 10889616 10889617 10891612 10891618 10891624 10891626 10891627 10907319 10907321
 10907323 10907324 10909618 10909985 10909986 10911284 10911292 10913481 10913482 10913483 10913484
 10913993 10913994 10915043 10915049 10916392 10932391 10934817 10934819 10934820 10934825 10950870
 10951467 10954514 10954517 10954519 10954520 10955663 10955664 10955665 10955667 10964151 10964155
 10965723 10965725 10975892 10977473 10977474 10986438 11010345 11010347 11010349 11022029 11023118
 11024898 11024899 11024900 11024930 11024931 11024932 11027037 11027038 11029282 11031669 11031670
 11031671 11031672 11031673 11031674 11034733 11034736 11051075 11054718 11054719 11054721 11055427
 11055429 11059378 11060875 11060876 11061026 11061027 11061028 11061029 11062970 11062971 11062972
 11065767 11065768 11065770 11072412 11101019 11101020 11101021 11103332 11106943 11110572 11110573
 11110574 11110575 11110576 11114160 11127680 11129932 11129939 11134147 11134575 11134576 11134581
 11134587 11134595 11134604 11134977 11134979 11135147 11135149 11135153 11135161 11135163 11136339
 11137325 11137326 11151678 11166975 11166976 11166977 11170492 11174724

002 ©



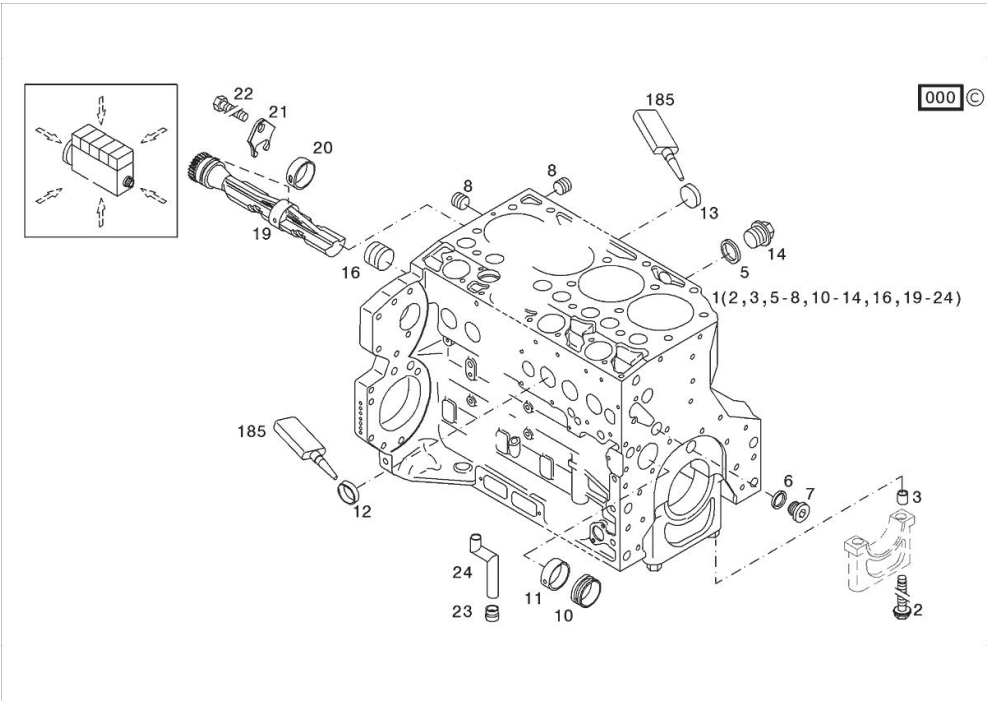
5	04298547	1	rubber plug
6	04905110	1	breather WITH POS.... (5)
7	01181432	2	screw m8x30 EN 1662 -F-M8X30-10.9-ZNAL-A
8	04504875	1	tube WITH POS.... 11-13
9	01182878	1	fascia H 3461 -F-13,0/8
11	02144961	1	fascia
12	04288505	1	rubber tube H 3407 -F8X14X97-EAM/ARAMID/EAM
13	01182878	1	fascia H 3461 -F-13,0/8
14	01118737	1	oil seal 22 x 27 DIN 7603 -A22X27-CU
15	04505853	1	pipe union
16	01181442	1	screw m6x12 EN 1662 -F-M6X12-10.9-ZNAL-A
17	01161302	1	bottom H 2873 -A25,5X22,8X17-PEWEICH

Section: B0 - ENGINE
KURBELGEHAEUSE

Fig.	P/n	QTY	Name
------	-----	-----	------

Notes:
 [Agrotron M 410 Profiline]

Engine serial number:
 11166975 11166976 11166977 11170492 11174724



185	01319910	1	guard
1	04506870	1	crankcase MIT POS.... (2,3,5-8,10-14,16,19-24)
2	04254240	10	screw 50 Nm , 90° , 90°
3	04160764	10	bushing
5	01118693	2	gasket 14x20 DIN 7603 -A14X20-CU
6	01101342	1	oil seal DIN 7603 -D22X27-CU
7	04292706	1	plug 80 Nm
8	01182031	2	screw 35 Nm H 2812 -906-M14X1,5-ST-A3C-LOCTITE506
10	04251884	4	plug
11	04250086	1	ring
12	01148032	6	cover DIN 443 -A45-ZNPHR
13	01148031	3	plug DIN 443 -A36-ZNPHR
14	01100940	2	screw 35 Nm DIN 7604 -AM14X1,5-ST-A4C
16	04226536	1	bottom 30 Nm
19	04298246	2	shaft
20	04252834	4	bush
21	04251810	2	plug
22	01181672	2	nut 29 Nm H 2091 -4017-M8X16-10.9-GESCHW-MK-1.0
23	04255998	1	ring
24	04291215	1	tube

Buy Now



Our support email:

ebooklibonline@outlook.com