

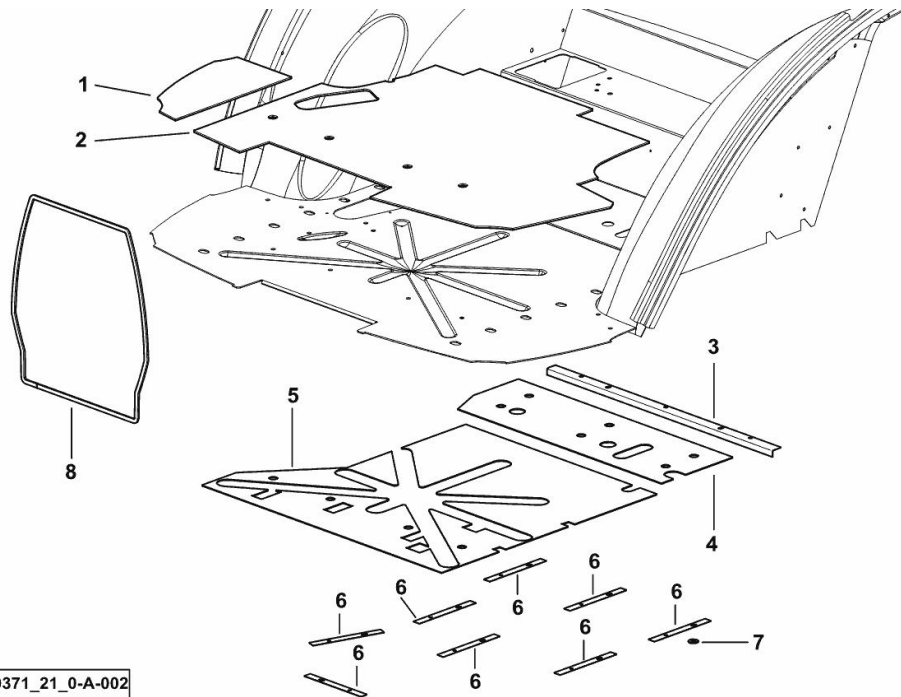
Section: G0 - BODYWORK - CAB
CAB SOUNDPROOF PANELS

Fig.	P/n	QTY	Name
------	-----	-----	------

Notes:

[Agrotron M 420] -> 10047

1	0.017.1085.0	1	sound deadening
2	0.017.1056.0/10	1	sound deadening
3	04451284	1	plate
4	0.021.8781.0	1	sound deadening
5	0.021.8779.0	1	sound deadening
6	04429905	8	shim
7	04422852	18	washer
8	0.017.1151.0	1	gasket



K9_L0371_21_0-A-002

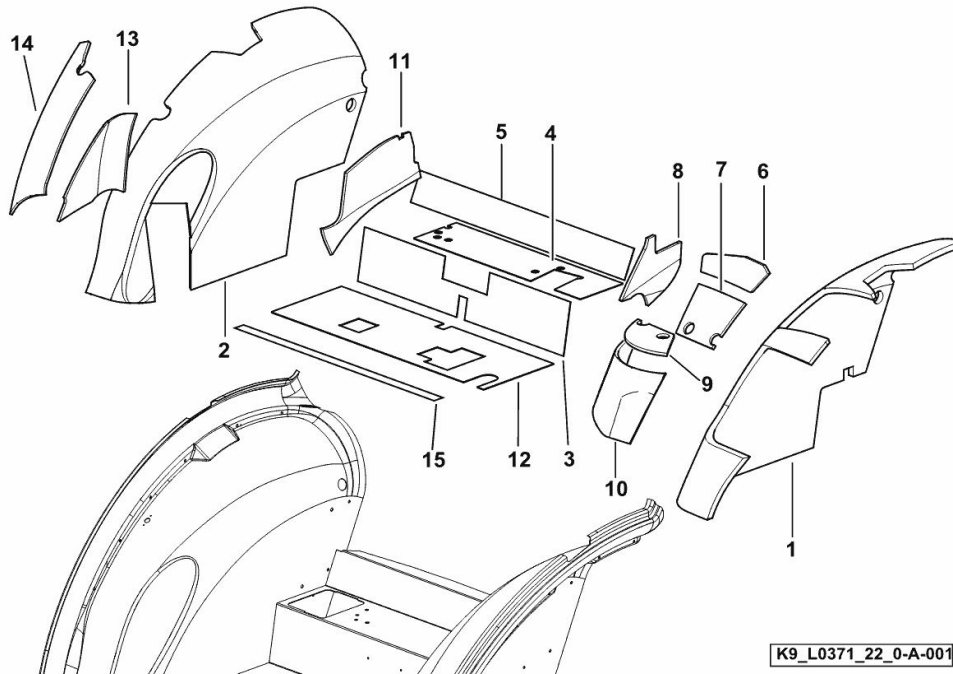
Section: G0 - BODYWORK - CAB
CAB SOUNDPROOF PANELS

Fig.	P/n	QTY	Name
------	-----	-----	------

Notes:

[Agrotron M 420] 10175 <-

1	0.017.0056.0/30	1	sound deadening sx/lh/li
2	0.017.0059.0/20	1	sound deadening dx/rh/re
3	04439939/10	1	sound deadening
4	04439940/10	1	sound deadening
5	04439941/10	1	sound deadening
6	0.017.0079.0	1	sound deadening
7	0.017.0065.0	1	sound deadening sx/lh/li
8	0.017.0078.0	1	sound deadening sx/lh/li
9	0.017.0064.0	1	sound deadening sx/lh/li
10	0.017.0063.0	1	sound deadening sx/lh/li
11	0.017.0075.0	1	sound deadening
12	04439938/10	1	sound deadening
13	0.017.0039.0	1	sound deadening
14	0.017.0069.0	1	sound deadening dx/rh/re
15	01388899	0.5	gasket



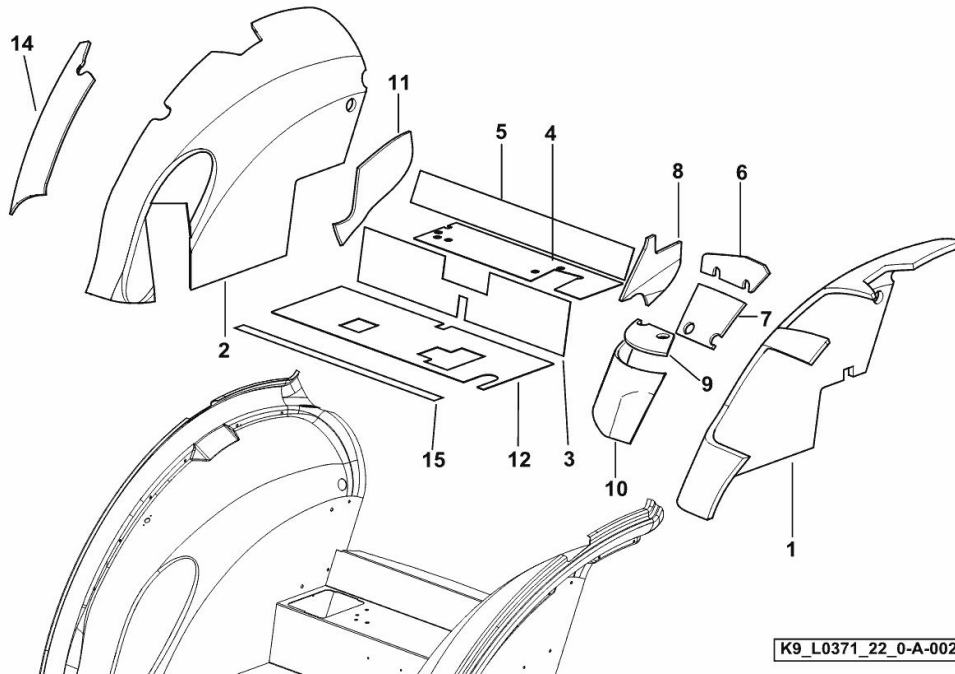
CAB SOUNDPROOF PANELS

Fig.	P/n	QTY	Name
------	-----	-----	------

Notes:

[Agrotron M 420] -> 10176

1	0.017.0056.0/30	1	sound deadening sx/lh/li
2	0.017.0059.0/20	1	sound deadening dx/rh/re
3	04439939/10	1	sound deadening
4	04439940/10	1	sound deadening
5	04439941/10	1	sound deadening
6	0.017.0079.0/10	1	sound deadening sx/lh/li
7	0.017.0065.0	1	sound deadening sx/lh/li
8	0.017.0078.0	1	sound deadening sx/lh/li
9	0.017.0064.0	1	sound deadening sx/lh/li
10	0.017.0063.0	1	sound deadening sx/lh/li
11	0.017.0075.0/10	1	sound deadening dx/rh/re
12	04439938/10	1	sound deadening
14	0.017.0069.0	1	sound deadening dx/rh/re
15	01388899	0.5	gasket

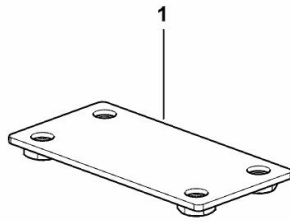


PLATE

Fig.	P/n	QTY	Name
------	-----	-----	------

Notes:
[Agrotron M 420]

1	0.015.4729.3	1	plate
---	--------------	---	-------



K9_J3384_21_0-A-001

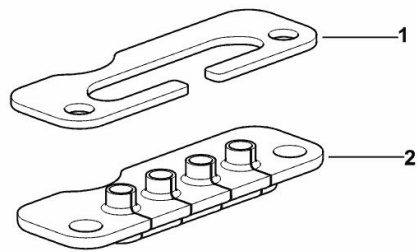
CABLE GROMMET

Fig.	P/n	QTY	Name
------	-----	-----	------

Notes:

- FOR TYPES WITH FRONT LOADER [Agrotron M 420]

1	04455320/10	1	bracket
2	04455321	1	gasket



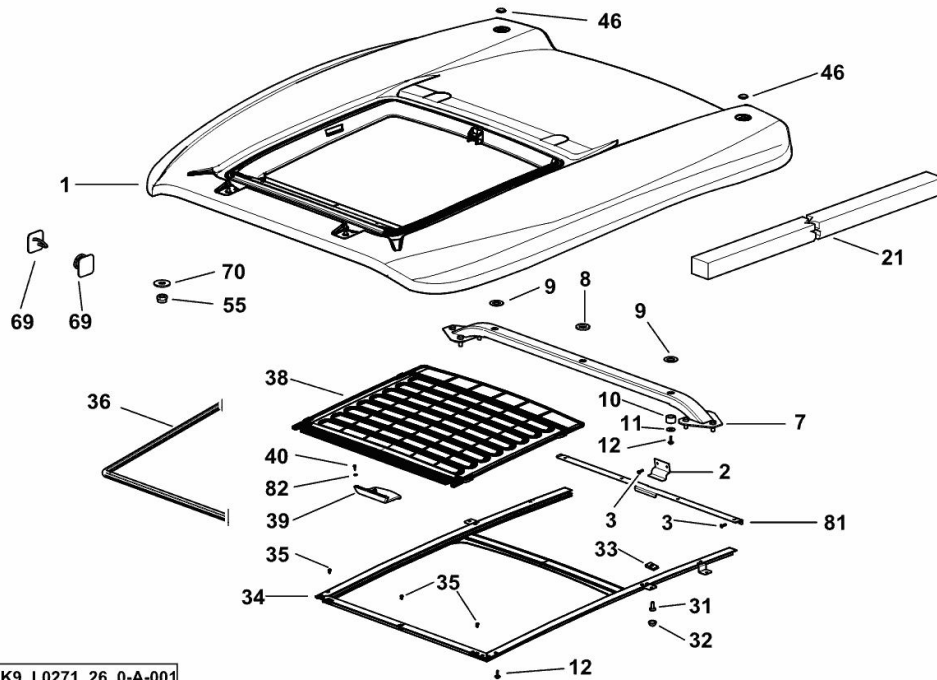
K9_F5171_43_0-A-001

DRIVER'S CAB ROOF

Fig.	P/n	QTY	Name
------	-----	-----	------

Notes:

[Agrotron M 420]



K9_L0271_26_0-A-001

1	0.012.9222.4/10	1	roof
2	0.011.0678.0	1	bracket
3	2.1856.307.0	20	rivet 4.8x12
7	0.010.7460.3/10	1	crosspiece
8	2.1569.183.0	1	rubber plug Ø 40x5
9	2.1569.198.0	2	rubber plug Ø 40x2
10	2.1569.181.0	3	rubber plug Ø 28x16
11	2.1312.004.3	3	washer 8,4x24x2
12	2.0363.306.3	15	screw m 6x18
21	04438115/10	2	gasket mm 2000
31	04428727	14	screw
32	04419538	14	cap
33	2.6999.047.0	10	clip
34	0.010.7783.3/10	1	chassis frame
35	2.0350.405.3	3	screw m 4.2 x 16
36	0.010.9556.0	1	gasket mm 1760
38	0.016.4321.2/10	1	canopy
39	0.016.3611.0/20	1	handle
40	2.0350.204.6	5	screw m 3.5x13B
46	04413793	11	cap
55	2.1120.105.2	9	self-locking nut m 8 p.1.25
69	0.012.6105.0	14	stop
70	2.1312.004.2	4	washer 8x24x2
81	0.015.4077.0	1	bracket
82	2.1310.028.2	5	flat washer

Buy Now



Our support email:

ebooklibonline@outlook.com