

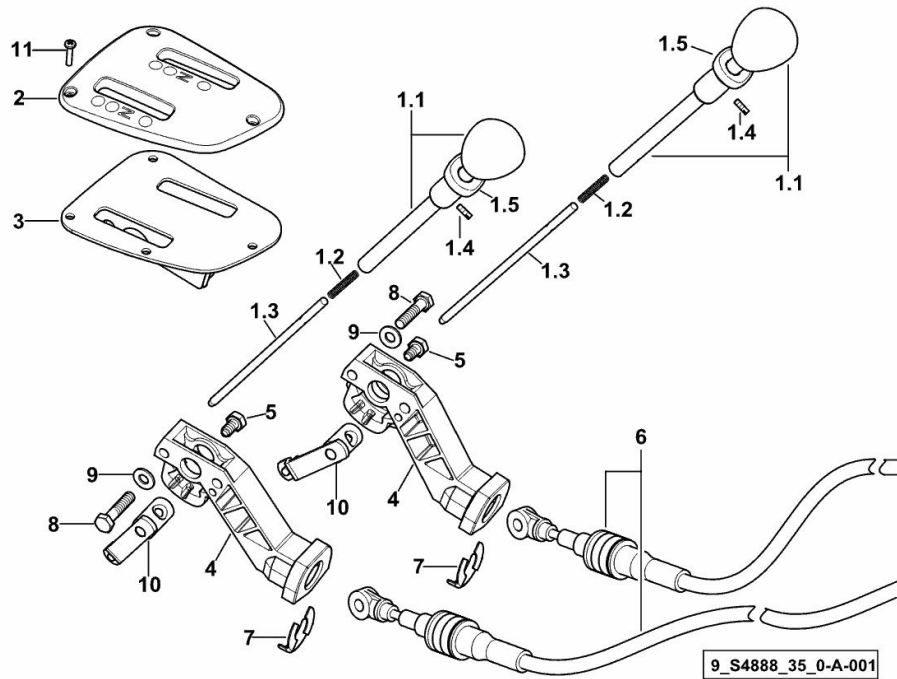
DISTRIBUTOR CONTROL

Fig.	P/n	QTY	Name
------	-----	-----	------

Notes:

[Agrotron M 610 -> 20001] -> 20192

1.1	04423023.4	1	lever
1.2	04426194	1	spring
1.3	04425215	1	rod
1.4	01144807	1	screw
1.5	04411645	1	coupling
2	0.015.7671.0	1	screen
3	0.015.7672.3	1	plate
4	04425445/10	2	support
5	04423712	2	screw
6	0.016.2061.3	2	rod
7	04418159	2	circlip
8	2.0114.213.2	4	screw m 8 x 35
9	01138374	4	washer 8,4x21x4
10	04423032.4	2	lever
11	04424184	3	screw



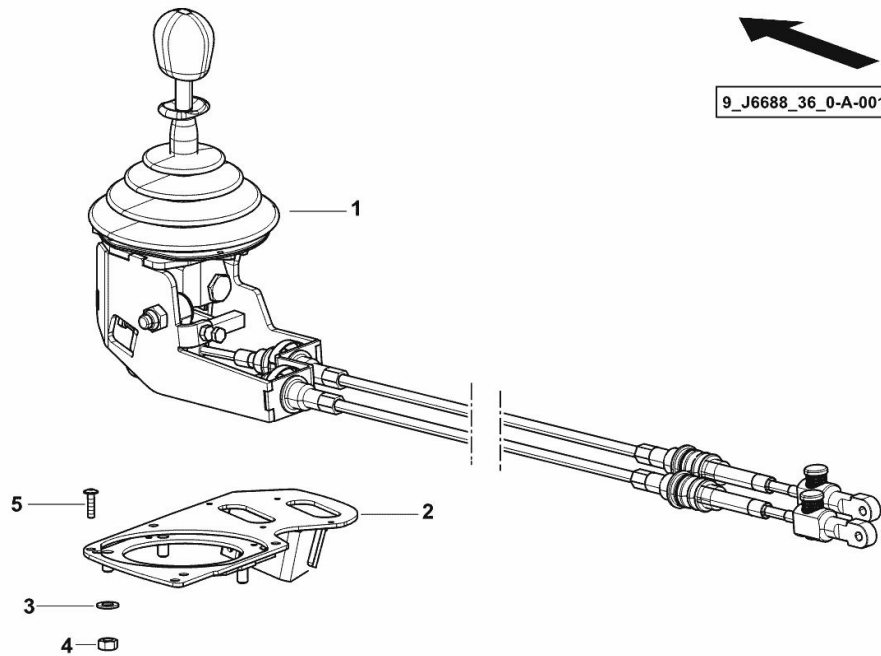
REMOTE VALVE CROSS-GATE CONTROL

Fig.	P/n	QTY	Name
------	-----	-----	------

Notes:

- FOR TYPES WITH 8-WAY AUXILIARY SERVICES CONTROL VALVE [Agrotron M 610 -> 20001]

1	0.017.6491.4	1	operation ☞ 0.017.6491.4
2	0.015.7735.4/10	1	plate
3	2.1310.004.2	3	flat washer 8.4x17
4	2.1011.105.2	3	nut m 8 p.1.25
5	04412976	4	screw 4.8x19



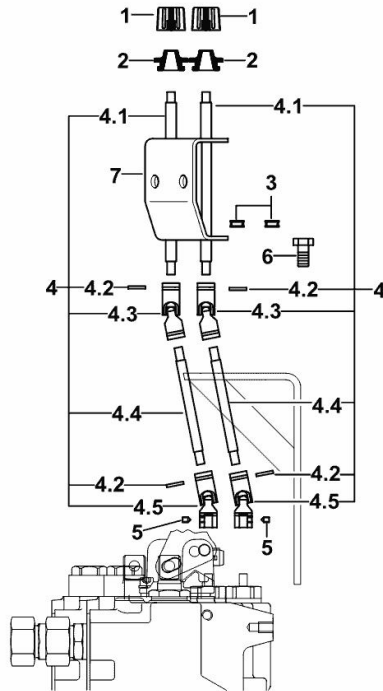
FLOW CONTROL

Fig.	P/n	QTY	Name
------	-----	-----	------

Notes:

- FOR 4-WAY DISTRIBUTOR [Agrotron M 610 -> 20001]

1	04411530	2	knob
2	04424188	2	grommet 16
3	04450245	2	bearing
4	04450237.4	2	small shaft
4.1	04438419	1	small shaft
4.2	2.1631.005.0	4	roll pin
4.3	04450235	1	joint
4.4	04450280	1	small shaft
4.5	04450236	1	joint
5	04437608	2	screw
6	2.0112.205.2	2	screw m 8 p.1.25 x 16
7	04438357/30	1	support



9_D3388_60_0-A-001

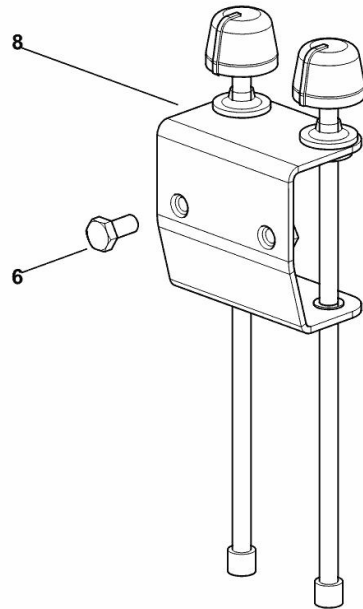
FLOW CONTROL

Fig.	P/n	QTY	Name
------	-----	-----	------

Notes:

- FOR 4-WAY DISTRIBUTOR [Agrotron M 610 -> 20001] -> 20022

6	2.0112.205.2	2	screw m 8 p.1.25 x 16
8	0.016.8217.4	1	control



9_D3388_60_0-A-002

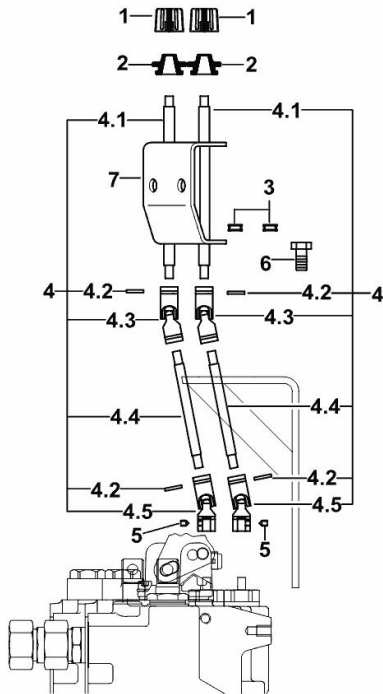
FLOW CONTROL

Fig.	P/n	QTY	Name
------	-----	-----	------

Notes:

- FOR 8-WAY DISTRIBUTOR [Agrotron M 610 -> 20001] 20005 <-

1	04411530	4	knob
2	04424188	4	grommet 16
3	04450245	4	bearing
4	04450237.4	4	small shaft
4.1	04438419	1	small shaft
4.2	2.1631.005.0	4	roll pin
4.3	04450235	1	joint
4.4	04450280	1	small shaft
4.5	04450236	1	joint
5	04437608	4	screw
6	2.0112.205.2	4	screw m 8 p.1.25 x 16
7	04438357/30	2	support



9_D3388_61_0-A-001

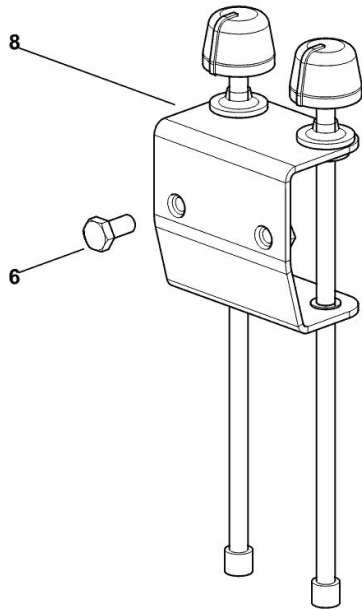
FLOW CONTROL

Fig.	P/n	QTY	Name
------	-----	-----	------

Notes:

- FOR 8-WAY DISTRIBUTOR [Agrotron M 610 -> 20001] -> 20006

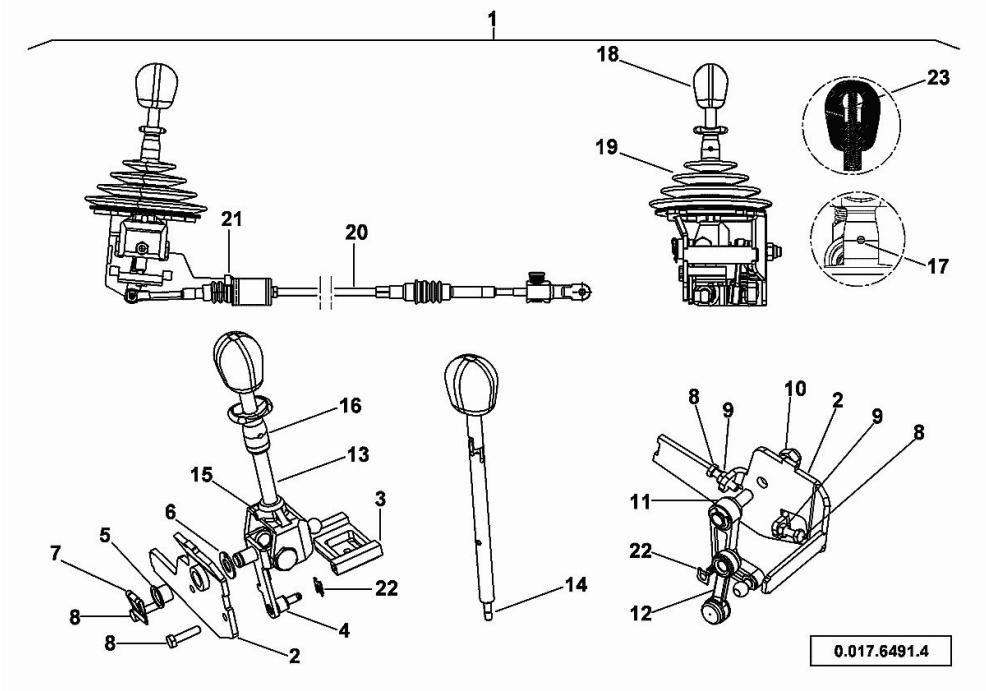
6	2.0112.205.2	4	screw m 8 p.1.25 x 16
8	0.016.8217.4	2	control



9_D3388_61_0-A-002

OPERATION

Fig.	P/n	QTY	Name
1	0.017.6491.4	1	operation
2	0.900.1387.9	1	plate
3	0.900.1388.0	1	plate
4	0.900.1388.1	1	connecting rod
5	0.900.1388.2	1	bushing
6	0.900.1388.3	1	slewing ring
7	0.900.1388.4	1	
8	0.900.1388.5	4	screw
9	0.900.1388.6	2	nut
10	0.900.1388.7	1	self-locking nut m 10x1.5
11	0.900.1388.8	1	lever
12	0.900.1388.9	1	connecting rod
13	0.900.1389.0	1	rod
14	0.900.1389.1	1	rod
15	0.900.1389.2	1	grub screw
16	0.900.1389.3	1	slider
17	0.900.1389.4	1	grub screw
18	0.900.1389.5	1	knob
19	0.900.1195.8	1	bellows
20	0.900.1197.0	2	rod
21	0.900.1197.1	2	circlip
22	0.900.1389.6	2	stop
23	0.900.1389.7	1	spring



Buy Now



Our support email:

ebooklibonline@outlook.com