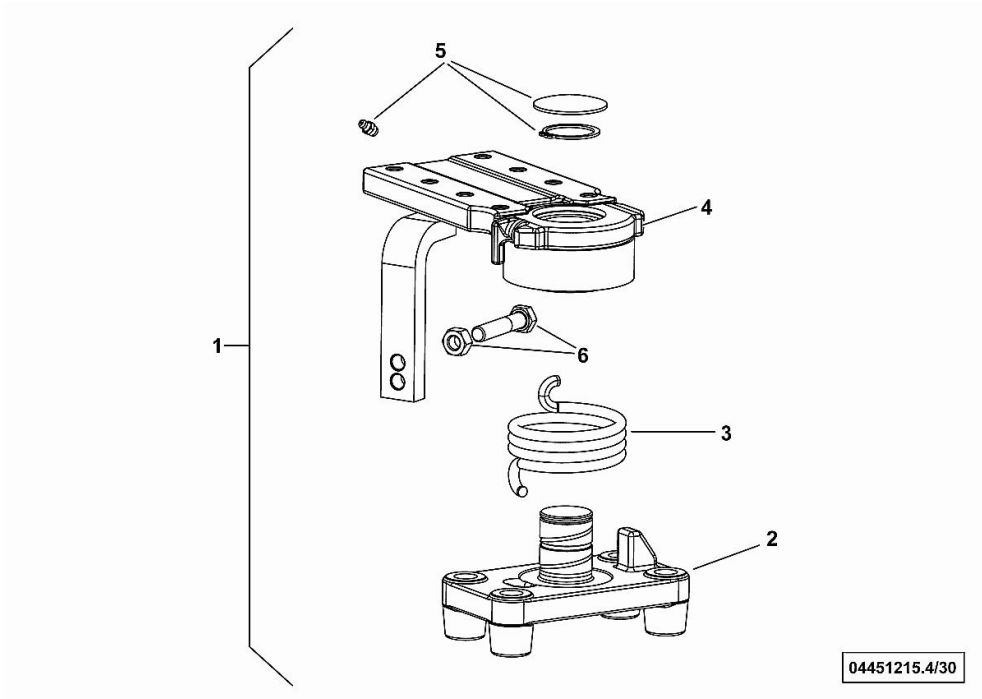


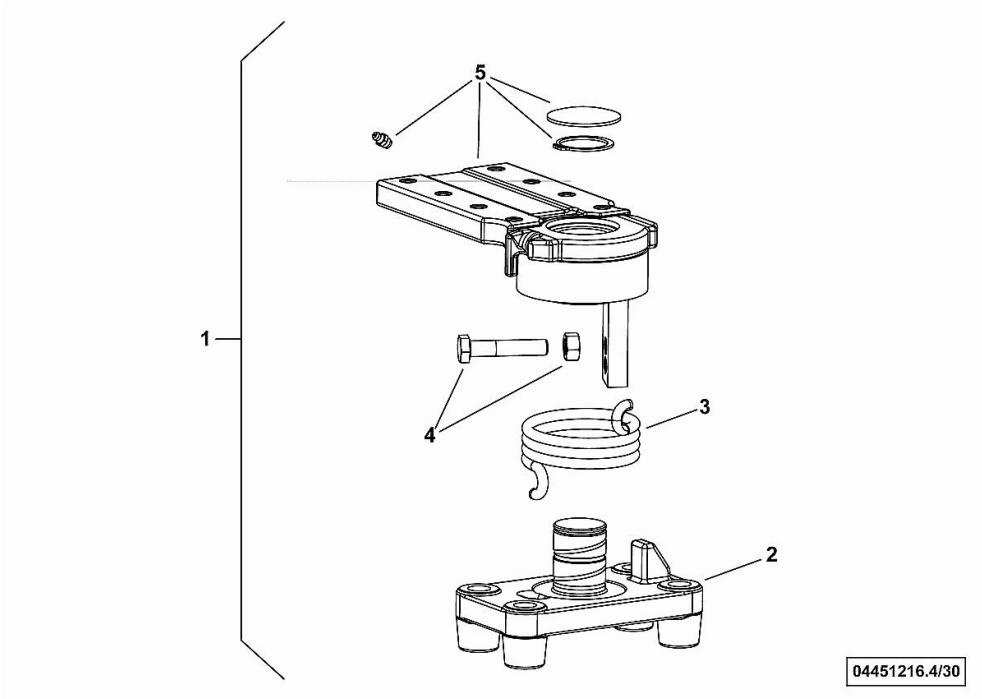
WING HOLDER dx/rh/re

Fig.	P/n	QTY	Name
1	04451215.4/30	1	support dx/rh/re
2	0.900.0986.6	1	flange
3	0.900.0986.7	1	spring dx/rh/re
4	0.000.0000.1		cannot be supplied
5	0.000.0000.1		cannot be supplied
6	0.000.0000.1		cannot be supplied



WING HOLDER sx/lh/li

Fig.	P/n	QTY	Name
1	04451216.4/30	1	support sx/lh/li
2	0.900.0986.6	1	flange
3	0.900.0986.9	1	spring sx/lh/li
4	0.000.0000.1		cannot be supplied
5	0.000.0000.1		cannot be supplied



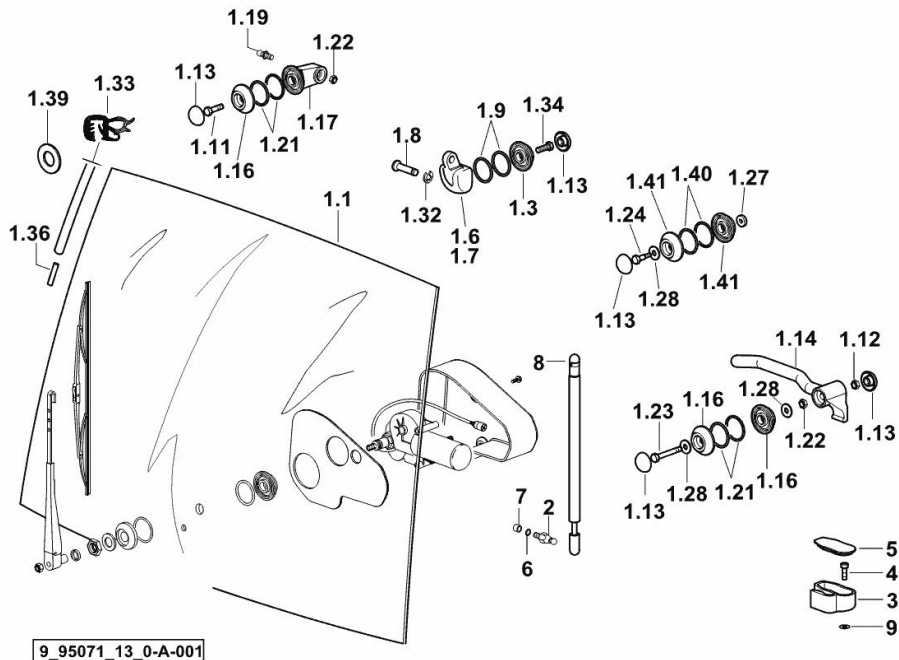
OPENABLE WINDSCREEN

Fig.	P/n	QTY	Name
------	-----	-----	------

Notes:

[Agrotron M 620 -> 20001] 21250 <-

1.1	04418946	1	tempered glass
1.3	04429423	4	washer
1.6	04411248/10	1	hinge sx/lh/li
1.7	04411247/10	1	hinge dx/rh/re
1.8	04413797	2	pin
1.9	2.1530.078.0	4	oil seal 29.74x3.53
1.11	2.0112.217.2	2	screw m 8 p.1.25 x 45
1.12	01136452	1	nut vm 8 d980
1.13	04413793	7	cap
1.14	04412812	1	knob
1.16	04412814	2	washer
1.17	0.010.7738.0/10	2	support
1.19	04399070	2	ball joint
1.21	01166059	4	oil seal 40x3
1.22	2.1120.105.2	4	self-locking nut m 8 p.1.25
1.23	01144712	1	screw
1.24	04413809	1	screw
1.27	04413808	1	washer 6.5x20x5
1.28	2.1310.004.2	6	flat washer 8.4x17
1.32	01155120	2	washer
1.33	0.010.5147.0	4.19	gasket
1.34	04438410	2	screw m 8 x 25
1.36	01388794	0.08	parting 9x4,5
1.39	2.1499.197.0	4	gasket 16x44x3
1.40	01166042	2	ring
1.41	04411716	2	washer
2	04418838	2	ball joint
3	04412815	1	support
4	2.0342.207.6	2	screw m 6 p.1 x 25
5	04413789	1	cap
6	2.1310.007.2	2	flat washer 13 x 24
7	04345439	2	spacer
8	0.013.0059.4	2	shock absorber
9	04413808	2	washer 6.5x20x5



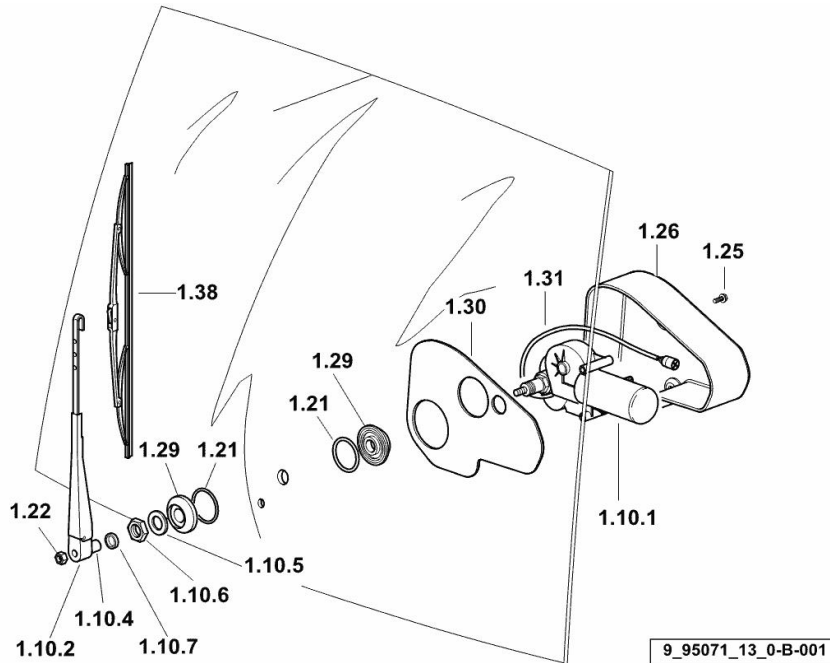
WINDSCREEN WIPER FOR OPENABLE WINDSCREEN

Fig.	P/n	QTY	Name
------	-----	-----	------

Notes:

[Agrotron M 620 -> 20001]

1.10.1	04413192	1	wiper motor
1.10.2	04413193	1	arm
1.10.4	04413208	2	bushing
1.10.5	04414586	2	spacer
1.10.6	04413207	1	nut
1.10.7	0.010.4983.0	1	rubber plug
1.21	01166059	4	oil seal 40x3
1.22	2.1120.105.2	4	self-locking nut m 8 p.1.25
1.25	2.0330.406.2	2	screw m 6 p.1.0 x 16
1.26	04412044	1	cover
1.29	04413223	2	washer
1.30	04414610	1	gasket
1.31	04412045	1	electrical system
1.38	04413194	1	wiper blade

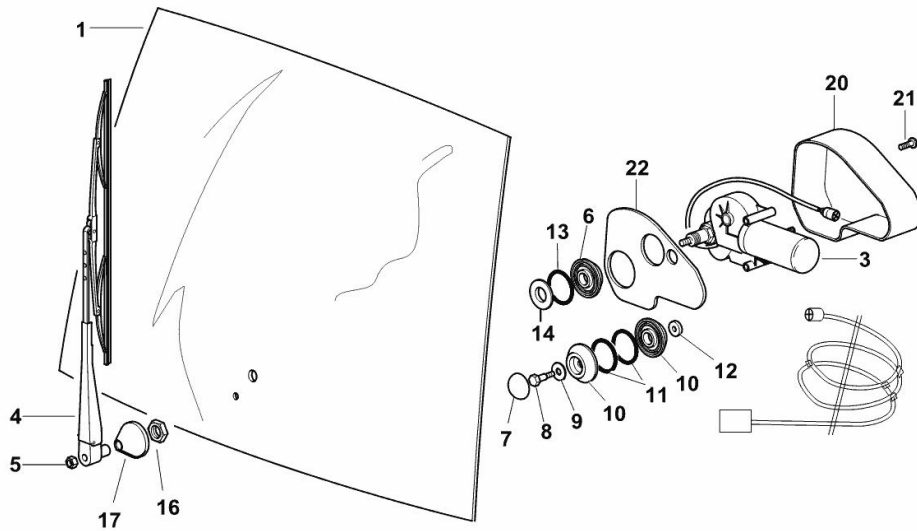


FIXED SCREEN WITH WIPER

Fig.	P/n	QTY	Name
------	-----	-----	------

Notes:

[Agrotron M 620 -> 20001] 20068 <-



9_A0171_11_0-A-001

1	0.010.5209.0/20	1	windshield
3	04413192	1	wiper motor
4	0.011.5529.4	1	windscreen wiper ☞ 0.011.5529.4
5	2.1011.105.2	1	nut m 8 p.1.25
6	04413223	1	washer
7	04413793	1	cap
8	04413809	1	screw
9	2.1312.004.2	1	washer 8x24x2
10	04429423	2	washer
11	2.1530.078.0	2	oil seal 29.74x3.53
12	04413808	1	washer 6.5x20x5
13	2.1530.103.0	1	oil seal 39.69x3.53
14	2.1569.176.0	1	gasket 20x40x6
16	04413207	1	nut
17	04413210	1	cap
20	04412044	1	cover
21	2.0330.406.2	2	screw m 6 p.1.0 x 16
22	04414610	1	gasket

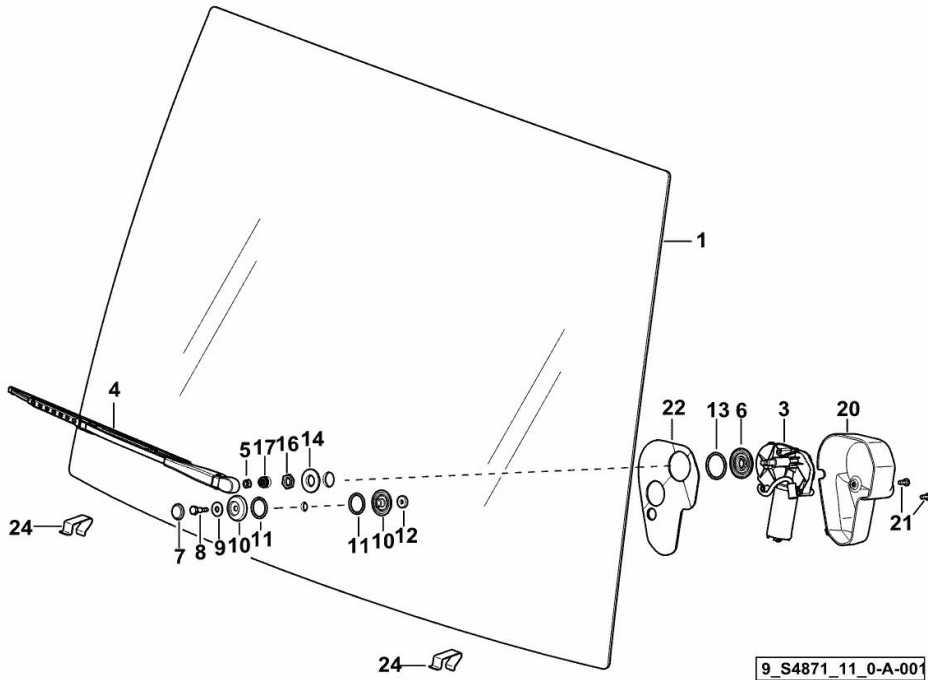
FIXED SCREEN WITH WIPER

Fig.	P/n	QTY	Name
------	-----	-----	------

Notes:

[Agrotron M 620 -> 20001] -> 20069

1	0.010.5209.0/20	1	windshield
3	04413192	1	wiper motor
4	0.011.5529.4	1	windscreen wiper ☞ 0.011.5529.4
5	2.1011.105.2	1	nut m 8 p.1.25
6	04413223	1	washer
7	04413793	1	cap
8	04413809	1	screw
9	2.1312.004.2	1	washer 8x24x2
10	04429423	2	washer
11	2.1530.078.0	2	oil seal 29.74x3.53
12	04413808	1	washer 6.5x20x5
13	2.1530.103.0	9	oil seal 39.69x3.53
14	2.1569.176.0	1	gasket 20x40x6
16	04413207	1	nut
17	04413210	1	cap
20	04412044	1	cover
21	2.0330.406.2	2	screw m 6 p.1.0 x 16
22	04414610	1	gasket
24	0.016.5623.0	2	bracket



Buy Now



Our support email:

ebooklibonline@outlook.com