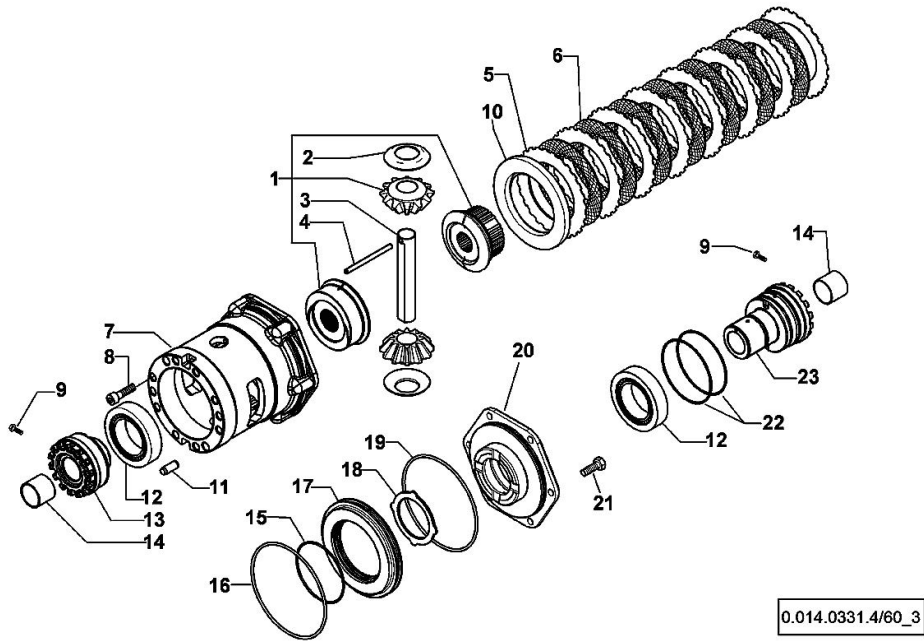


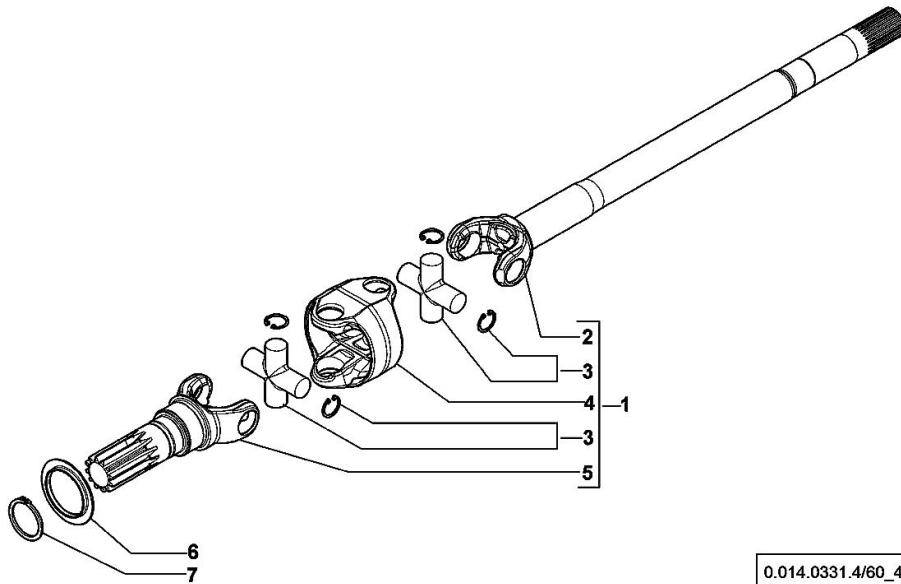
DIFFERENTIAL

Fig.	P/n	QTY	Name
1	0.900.0109.4	1	gear
2	0.900.0109.5	2	slewing ring
3	0.900.0109.6	1	pin
4	0.900.0109.7	1	pin Ø 6 x 86
5	0.900.0087.7	8	disc
6	0.900.0087.8	7	disc
7	0.900.0109.8	1	box
8	0.900.0088.0	10	screw m 12 x 35
9	0.900.0088.1	2	screw m 6 x 25
10	0.900.0090.0	1	disc
11	0.900.0088.3	2	pin Ø 12 x 28
12	0.900.0090.1	2	bearing
13	0.900.0109.9	1	ring nut m 94 p.1.5
14	0.900.0088.6	2	bushing
15	0.900.0088.7	1	oil seal
16	0.900.0088.8	1	oil seal
17	0.900.0088.9	1	piston
18	0.900.0089.0	1	disc
19	0.900.0089.1	1	oil seal
20	0.900.0952.0	1	cover - KIT
21	0.900.0089.3	6	screw m 10 x 35
22	0.900.0089.8	2	oil seal
23	0.900.0089.9	1	ring nut m 94 p.1.5



DOUBLE COUPLING

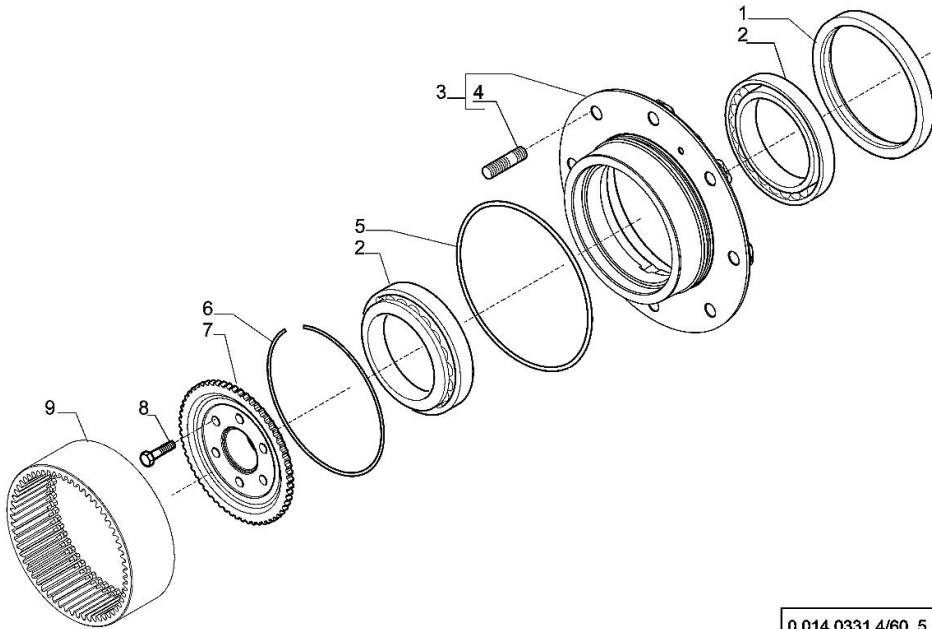
Fig.	P/n	QTY	Name
1	0.900.0912.9	1	joint dx/rh/re
1	0.900.0913.0	1	joint sx/lh/li
2	0.900.0965.4	1	half-shaft dx/rh/re
2	0.900.0965.5	1	half-shaft sx/lh/li
3	0.900.0572.7	4	universal joint
4	0.900.0110.5	2	box
5	0.900.0117.6	2	fork
6	0.900.0090.9	2	cover
7	0.900.0091.0	2	circlip



0.014.0331.4/60_4

WHEEL HUB

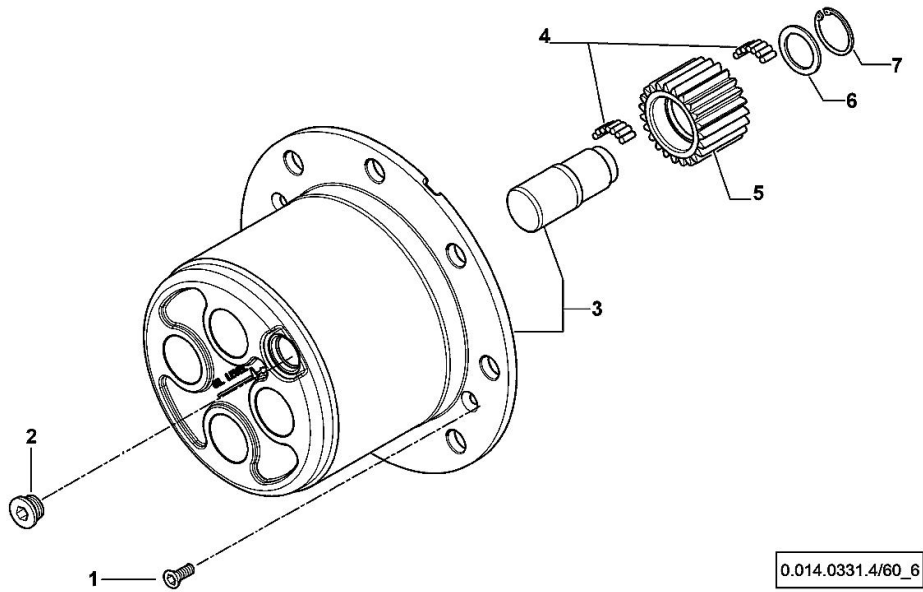
Fig.	P/n	QTY	Name
1	0.900.0115.6	2	circlip 165x195x16,5/18
2	0.900.1363.7	4	bearing
3	0.900.0531.0	2	wheel hub
4	0.900.0091.4	8	stud bolt
5	0.900.0091.5	2	oil seal
6	0.900.0091.6	2	circlip
7	0.900.0118.9	2	hub
8	0.900.0091.8	12	screw m 12 x 45
9	0.900.0119.0	2	crown wheel Z = 60



0.014.0331.4/60_5

PLANETARY GEAR

Fig.	P/n	QTY	Name
1	0.900.0092.0	4	screw m 8 p.1.25 x 20
2	0.900.0092.1	2	plug m 30 p.2
3	0.900.1212.0	2	spider - KIT
4	0.900.0117.2	45	roller
5	0.900.1212.1	8	gear Z = 23
6	0.900.0092.5	8	slewing ring
7	0.900.0092.6	8	circlip



DRIVEN FRONT AXLE - 370485

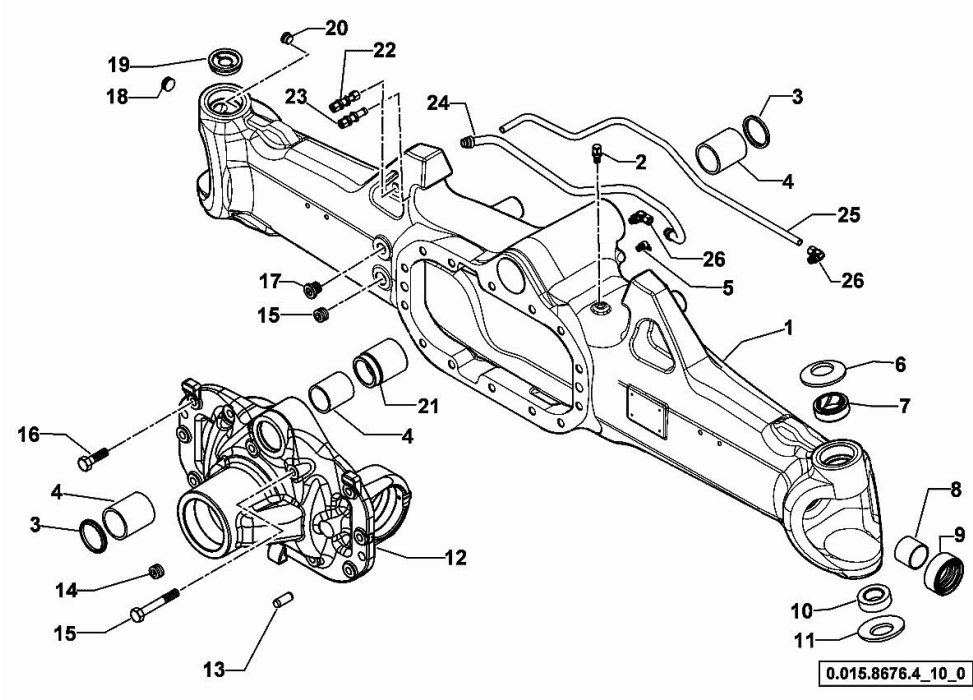


Fig.	P/n	QTY	Name
1	0.900.0965.1	1	front axle
2	0.900.0079.8	1	breather m 10 p.1
3	0.900.0079.9	2	circlip
4	0.900.0080.0	3	bushing
5	0.900.0080.1	1	grease gun m 8 p.1, 45°
6	0.900.0080.2	2	spring
7	0.900.0080.3	2	bushing
8	0.900.0080.4	2	bushing
9	0.900.0912.6	2	oil seal 40x65x27,5
10	0.900.0080.6	2	bearing
11	0.900.0080.7	2	spring
12	0.900.0960.4	1	support
13	0.900.0081.0	2	pin Ø 15x45
14	0.900.0081.1	2	plug m 24 p.1.5
15	0.900.0081.2	2	screw m 14x75
16	0.900.0081.3	12	screw m14 x 40
17	0.900.0105.5	1	bottom
18	0.900.0081.6	1	plug m 26 p.1.5
19	0.900.0966.6	1	small cover
20	0.900.0105.7	1	bottom
21	0.900.0082.2	1	bushing
22	0.900.0081.7	1	pipe fitting
23	0.900.0081.8	1	pipe fitting
24	0.900.0965.2	1	tube
25	0.900.0965.3	1	tube
26	0.900.0107.0	2	pipe fitting

STEERING CYLINDER - 370485

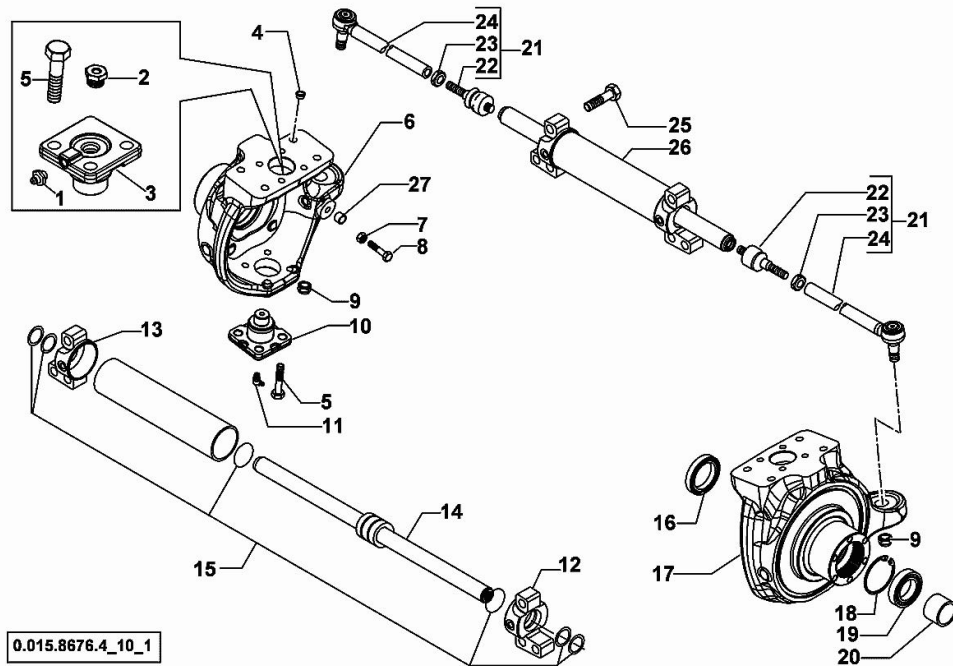
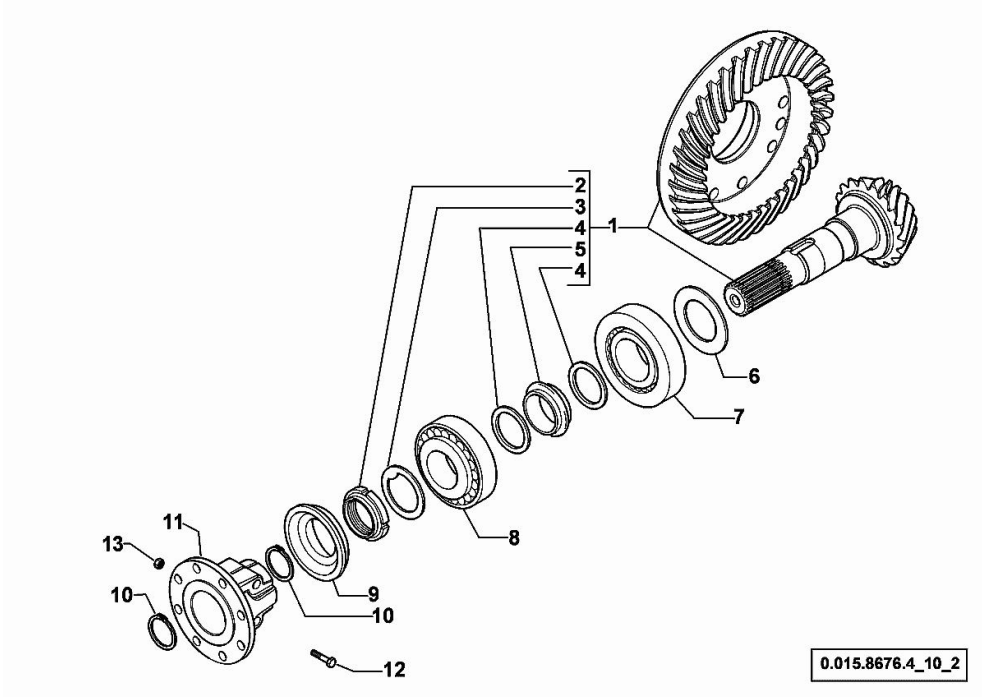


Fig.	P/n	QTY	Name
1	0.900.0542.4	2	grease gun m 6 p.1
2	0.900.0082.4	2	screw m 20 p.1.5
3	0.900.0502.5	2	pin
4	0.900.0085.0	8	plug
5	0.900.0082.9	16	screw m 14 x 35
6	0.900.0107.9	1	fork sx/lh/li
7	0.900.0083.1	2	nut m 14
8	0.900.0948.6	2	screw m 14
9	0.900.0083.3	2	nut m 20 p.1
10	0.900.0083.4	2	pin
11	0.900.0083.5	2	grease gun m 6 p.1, 45°
12	0.900.0107.1	1	fork dx/rh/re
13	0.900.0107.2	1	fork sx/lh/li
14	0.900.0107.3	1	stem
15	0.900.0107.4	1	gasket set
16	0.900.0083.9	2	oil seal 56x80x13/14,5
17	0.900.0107.5	1	fork dx/rh/re
18	0.900.0084.1	2	circlip
19	0.900.0084.2	2	bearing
20	0.900.0084.3	2	spacer
21	0.900.0107.6	2	rod
22	0.900.0084.5	2	ball joint
23	0.900.0084.6	2	nut m 24x10
24	0.900.0107.7	2	rod
25	0.900.0105.9	6	screw m 20x80
26	0.900.0107.8	1	jack
27	0.900.0948.7	2	bush

BEVEL WHEEL GEAR - 370485

Fig.	P/n	QTY	Name
1	0.900.0108.0	1	bevel drive Z = 14/37
2	0.900.0085.5	1	ring nut m 40 p.1.5
3	0.900.0085.6	1	washer
4	0.900.0085.7	2	washer
5	0.900.0108.1	1	spacer
6	0.900.0108.2		shim 2.50
6	0.900.0108.3		shim 2.60
6	0.900.0108.4		shim 2.70
6	0.900.0108.5		shim 2.80
6	0.900.0108.6		shim 3.00
6	0.900.0108.7		shim 2.90
6	0.900.0108.8		shim 3.10
6	0.900.0108.9		shim 3.20
6	0.900.0109.0		shim 3.30
6	0.900.0109.1		shim 3.40
7	0.900.0109.2	1	bearing
8	0.900.0086.9	1	bearing
9	0.900.0087.0	1	oil seal 35x92/98x13/27
10	0.900.0087.1	2	circlip d = 35
11	0.900.0960.5	1	flange
12	0.900.0960.9	2	screw
13	0.900.0961.0	2	nut



Buy Now



Our support email:

ebooklibonline@outlook.com