

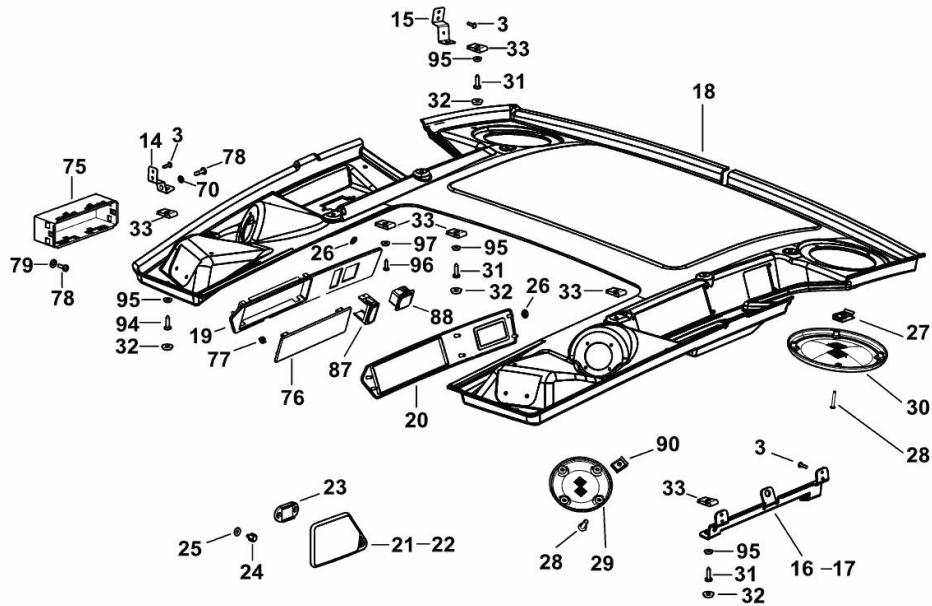
INTERIOR TRIM

Fig.	P/n	QTY	Name
------	-----	-----	------

Notes:

[Agrotron M 620 Profiline -> 20001]

3	2.1856.307.0	18	rivet 4.8x12
14	0.017.9858.0	2	bracket (-> 20313)
15	0.011.3831.0	2	bracket
16	0.011.3827.0/10	1	bracket dx/rh/re
17	0.011.3828.0/10	1	bracket sx/lh/li
18	0.016.4223.0/10	1	inner cab roof panel
19	0.016.2828.0/10	1	front grille dx/rh/re
20	0.016.7603.0	1	front grille sx/lh/li
21	0.012.2111.4	1	mirror sx/lh/li
22	0.012.2112.4	1	mirror dx/rh/re
23	0.012.2107.0/10	2	support
24	2.1851.004.0	4	rivet 4.8
25	2.1312.002.2	4	washer 5
26	2.6999.053.0	12	clip D5x15
27	2.6999.052.0	10	clip m 3.5
28	2.0350.258.3	18	screw m 3.5 x 25
29	0.012.1723.0	2	grille
30	0.012.1724.0	2	grille
31	04428727	10	screw
32	04419538	12	cap
33	2.6999.047.0	12	clip
70	2.1312.004.2	14	washer 8x24x2
75	0.012.2091.4	1	small frame
76	0.013.7536.0/10	1	plug
77	0.013.4283.0	4	clip
78	2.0362.206.2	2	screw m 6x18
79	2.1310.004.2	2	flat washer 8.4x17
87	0.012.6111.4	1	plug
88	0.016.7902.0	1	plug
90	01180397	8	nut
94	04416919	2	screw m 4.8x32
95	2.1312.003.2	12	washer 6
96	2.0350.556.3	4	screw
97	2.1599.573.0	4	washer 5.4



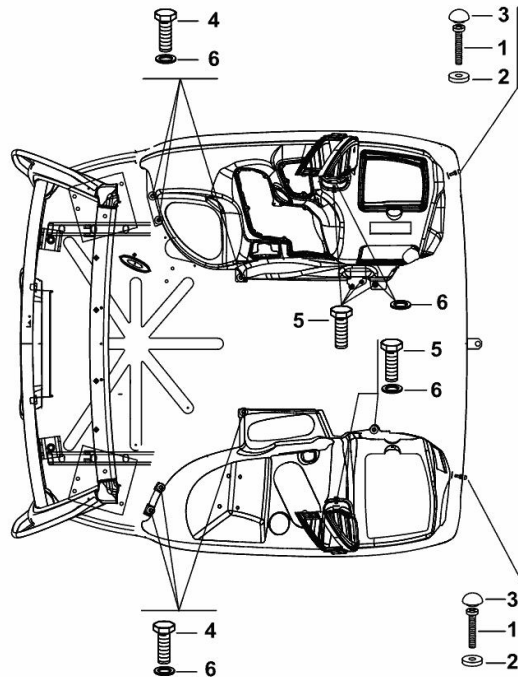
FIXINGS FOR CAB INTERIOR TRIM

Fig.	P/n	QTY	Name
------	-----	-----	------

Notes:

[Agrotron M 620 Profiline -> 20001]

1	2.0342.207.6	2	screw m 6 p.1 x 25
2	2.1312.003.2	4	washer 6
3	04419538	2	cap
4	01171763	6	screw m 8 p.1.25 x 20
5	01129113	6	screw m 8 x 30
6	2.1312.004.2	10	washer 8x24x2



9_J3371_69_0-A-001

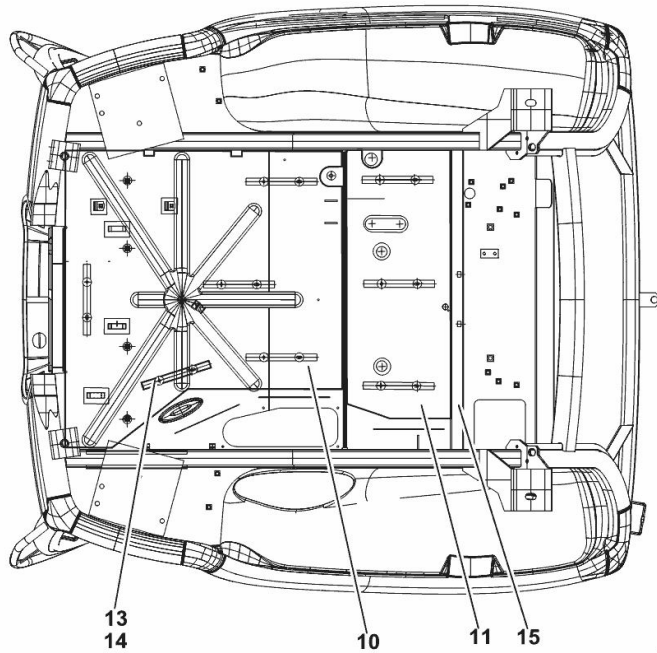
INTERNAL CAB LININGS

Fig.	P/n	QTY	Name
------	-----	-----	------

Notes:

[Agrotron M 620 Profiline -> 20001] 20070 <-

10	04439960	1	sound deadening
11	04439961	1	sound deadening
13	04429905	8	shim
14	04422852	18	washer
15	04451284	1	plate



9_95071_21_0-B-001

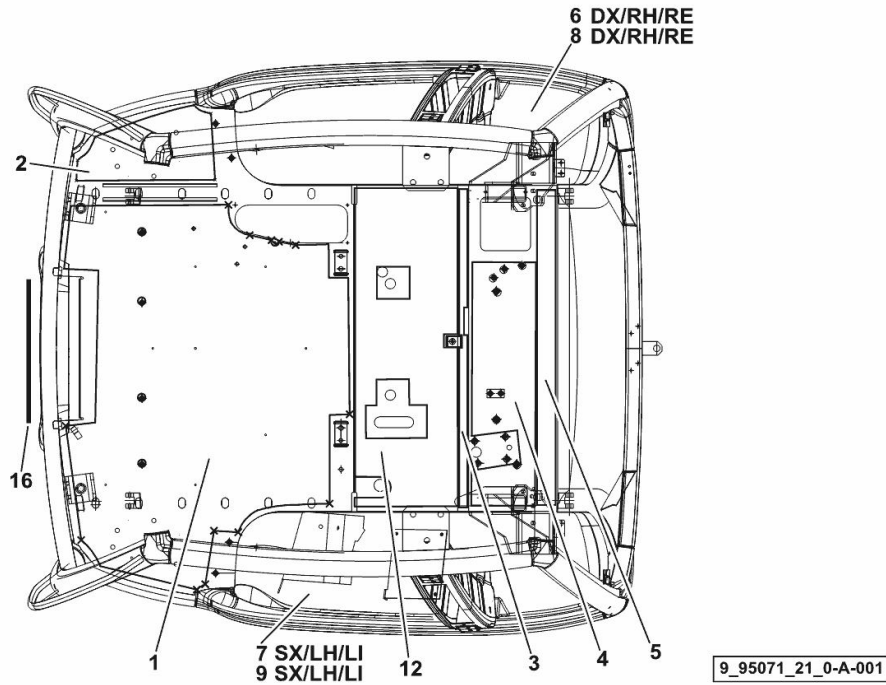
CAB SOUNDPROOF PANELS

Fig.	P/n	QTY	Name
------	-----	-----	------

Notes:

[Agrotron M 620 Profiline -> 20001] 20070 <-

1	04439936/20	1	sound deadening
2	04439937	1	sound deadening
3	04439939	1	sound deadening
4	04439940	1	sound deadening
5	04439941	1	sound deadening
6	04439942	1	sound deadening dx/rh/re
7	04439943	1	sound deadening sx/lh/li
8	04439944	1	sound deadening dx/rh/re
9	04439945	1	sound deadening sx/lh/li
12	04439938	1	sound deadening
16	01388899	1	gasket



CAB SOUNDPROOF PANELS

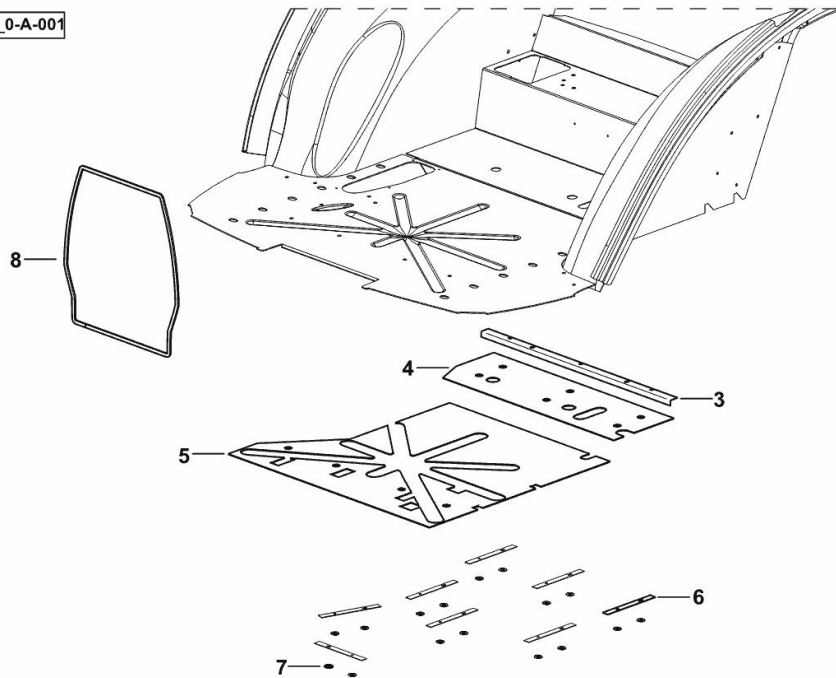
Fig.	P/n	QTY	Name
------	-----	-----	------

Notes:

[Agrotron M 620 Profiline -> 20001] -> 20071

3	04451284	1	plate
4	04439961	1	sound deadening
5	04439960	1	sound deadening
6	04429905	8	shim
7	04422852	18	washer
8	0.017.1151.0	1	gasket

9_S4871_21_0-A-001



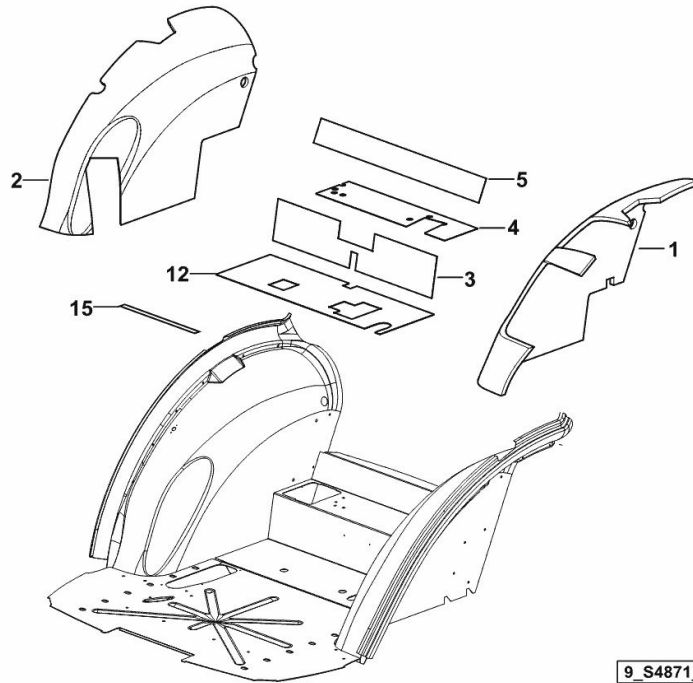
CAB SOUNDPROOF PANELS

Fig.	P/n	QTY	Name
------	-----	-----	------

Notes:

[Agrotron M 620 Profiline -> 20001] -> 20071

1	0.017.0056.0/30	1	sound deadening sx/lh/li
2	0.017.0059.0/20	1	sound deadening dx/rh/re
3	04439939	1	sound deadening
4	04439940	1	sound deadening
5	04439941	1	sound deadening
12	04439938	1	sound deadening
15	01388899	0.5	gasket



9_S4871_22_0-A-001

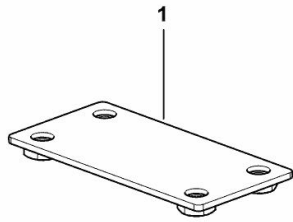
PLATE

Fig.	P/n	QTY	Name
------	-----	-----	------

Notes:

[Agrotron M 620 Profiline -> 20001]

1	0.015.4729.3	1	plate
---	--------------	---	-------



9_J3384_21_0-A-001

Buy Now



Our support email:

ebooklibonline@outlook.com