

**HYDRAULIC SYSTEM LOAD SENSING**

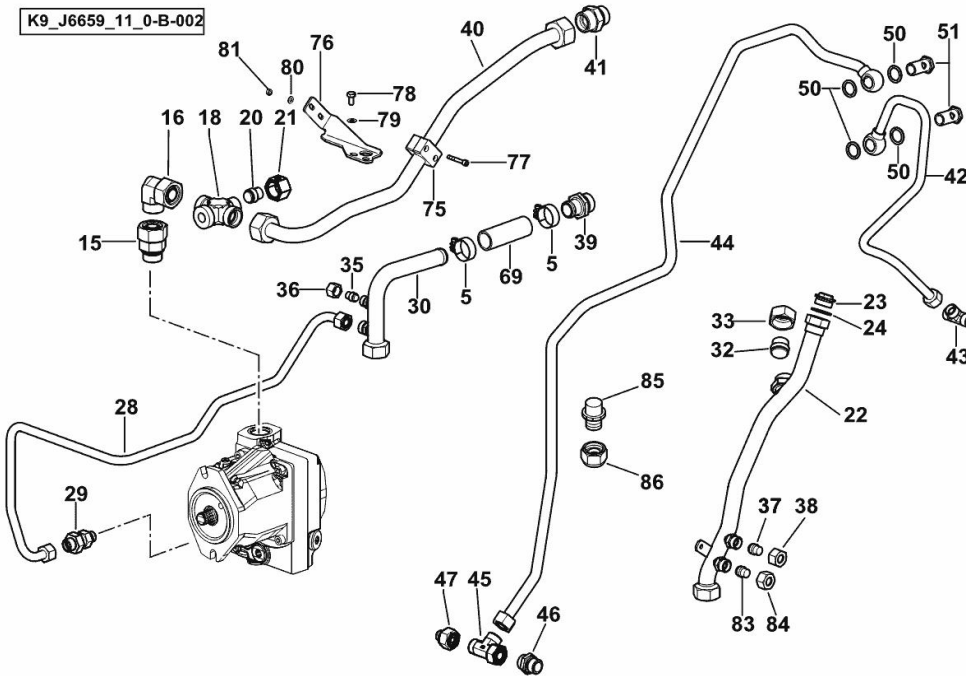


Fig.	P/n	QTY	Name
------	-----	-----	------

**Notes:**

- WITH 24FWD+24REV GEARBOX [Agrotron M 625] 10025 <-

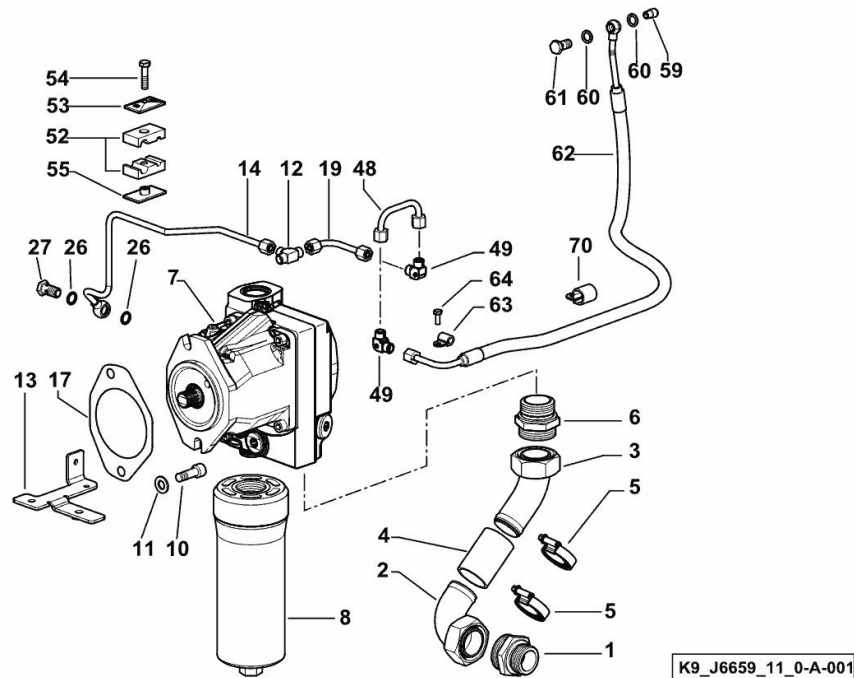
5	2.6851.004.0	4	clamp Ø 32/50
15	04450497	1	vent
16	04433363	1	vent
18	04454458/10	1	pipe union
20	04454619	1	stop
21	01103553	1	nut
22	04455719.3/20	1	tube
23	01118989	1	plug
24	2.1560.023.0	1	copper gasket 30.3 x 36
28	04455744	1	piping
29	04450523	1	valve
30	04455643.3/20	1	tube
32	04454615	1	cone
33	01102372	1	pipe fitting
35	01180565	1	plug h 310
36	01179539	1	nut CL 12 H310
37	01180617	1	cone
38	01179540	1	nut cl 15 h3105
39	04455642	1	vent
40	04455657	1	piping
41	04451725/10	1	pipe fitting
42	04455708	1	piping
43	01127372	1	pipe fitting 1 15 d3908
44	04455660/10	1	piping
45	01144815	1	vent
46	04455063	1	pipe fitting
47	04419612	1	reduction
50	2.1560.018.0	4	gasket 22.2 x 29
51	2.3335.009.2	2	pipe union m 22 p.1.5 x 39
69	0.016.2948.0	1	tube 28x37.6x100
75	04454620	2	small block
76	0.016.0057.0	1	link
77	2.0312.114.2	2	screw m 6 p.1x40
78	2.0112.205.2	2	screw m 8 p.1.25 x 16
79	2.1310.004.2	2	flat washer 8.4x17
80	2.1310.002.2	2	flat washer 6.4x12.5
81	2.1011.103.2	2	nut m 6 p.1
83	04431440	1	nut
84	2.3369.026.2	1	nut m16x1,5
85	01180566	1	cone
86	01127347	1	nut CL 18

**HYDRAULIC SYSTEM LOAD SENSING**

Fig.	P/n	QTY	Name
------	-----	-----	------

**Notes:**

- WITH 24FWD+24REV GEARBOX [Agrotron M 625] 10025 <-



1	04453858	1	vent
2	04454285.4/10	1	tube
3	04454287.4/30	1	tube
4	04454290/10	1	rubber sleeve
5	2.6851.004.0	4	clamp Ø 32/50
6	04452228	1	pipe fitting m 48 p.2 / m 52 p.2
7	04452222/10	1	hydraulic pump 45 cc dx/rh/re ☞ 04452222/10
8	04437773.4	1	oil filter ☞ 04437773.4
10	2.0312.412.2	2	screw m 12 p.1.75x35
11	2.1310.007.2	2	flat washer 13 x 24
12	04427045	1	pipe fitting T
13	04450542	1	support
14	04454476/10	1	pipng
17	04453380	1	gasket
19	04437463	1	tube
26	2.1560.009.0	2	gasket 14.2x18
27	2.3332.004.2	1	pipe union m 14 p.1.5 x 27
48	04454262	1	tube
49	01143305	2	pipe fitting
52	04454611	2	small block
53	01175670	1	small plate
54	2.0112.213.2	1	screw m 8 p.1.25 x 35
55	01180338	1	small plate
59	04451873	1	valve
60	2.1560.008.0	2	gasket 12.2 x 18
61	2.3335.005.2	1	pipe union m 12 p.1.5 x 24
62	04454971	1	tube
63	01172129	1	terminal B8X15
64	2.0112.005.2	1	screw m 6 p.1 x 16
70	01172635	1	fascia

**Agrotron M 625**

Section: H0 - HYDRAULIC AND PNEUMATIC SYSTEM|

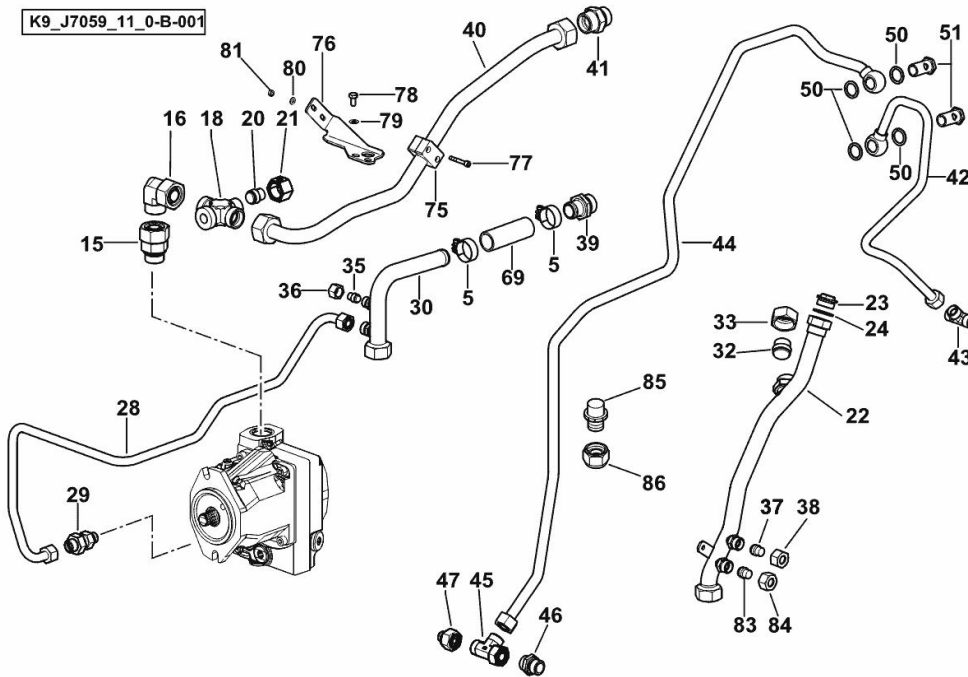
Ref: H0.01.5 (1)

**HYDRAULIC SYSTEM LOAD SENSING**

Fig.	P/n	QTY	Name
------	-----	-----	------

**Notes:**

- WITH 24FWD+24REV GEARBOX [Agrotron M 625] -> 10029 - 10034 <-



5	2.6851.004.0	4	clamp Ø 32/50
15	04450497	1	vent
16	04433363	1	vent
18	04454458/10	1	pipe union
20	04454619	1	stop
21	01103553	1	nut
22	04455719.3/20	1	tube
23	01118989	1	plug
24	2.1560.023.0	1	copper gasket 30.3 x 36
28	04455744	1	piping
29	04450523	1	valve
30	04455643.3/20	1	tube
32	04454615	1	cone
33	01102372	1	pipe fitting
35	01180565	1	plug h 310
36	01179539	1	nut CL 12 H310
37	01180617	1	cone
38	01179540	1	nut cl 15 h3105
39	04455642	1	vent
40	04455657	1	piping
41	04451725/10	1	pipe fitting
42	04455708	1	piping
43	01127372	1	pipe fitting 1 15 d3908
44	04455660/10	1	piping
45	01144815	1	vent
46	04455063	1	pipe fitting
47	04419612	1	reduction
50	2.1560.018.0	4	gasket 22.2 x 29
51	2.3335.009.2	2	pipe union m 22 p.1.5 x 39
69	0.016.2948.0	1	tube 28x37.6x100
75	04454620	2	small block
76	0.016.0057.0	1	link
77	2.0312.115.2	2	screw m 6 p.1x45
78	2.0112.205.2	2	screw m 8 p.1.25 x 16
79	2.1310.004.2	2	flat washer 8.4x17
80	2.1310.002.2	2	flat washer 6.4x12.5
81	2.1011.103.2	2	nut m 6 p.1
83	04431440	1	nut
84	2.3369.026.2	1	nut m16x1,5
85	01180566	1	cone
86	01127347	1	nut CL 18

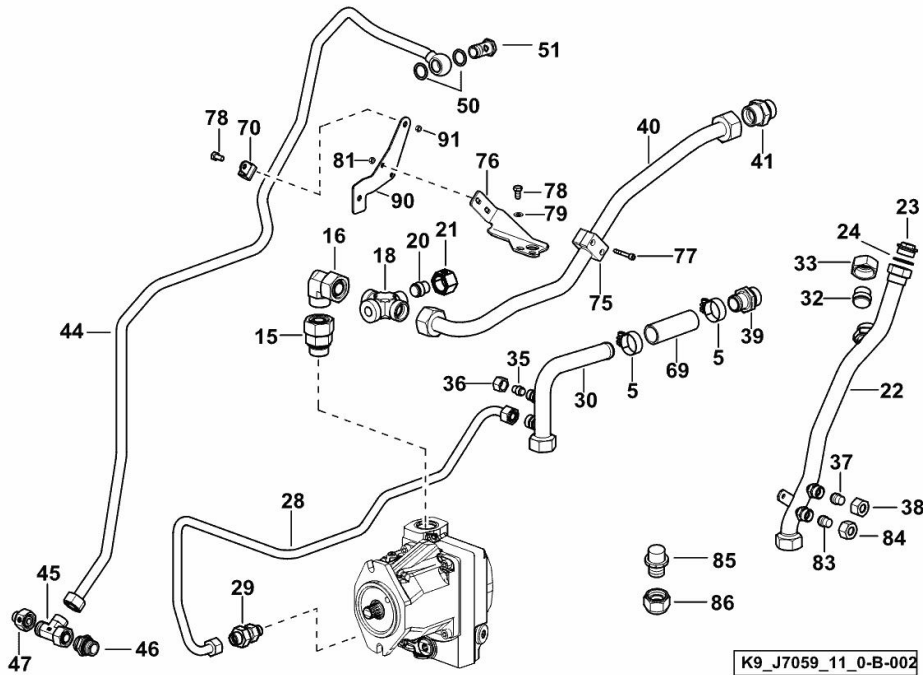
**HYDRAULIC SYSTEM LOAD SENSING**

Fig.	P/n	QTY	Name
------	-----	-----	------

**Notes:**

- WITH 24FWD+24REV GEARBOX [Agrotron M 625] -> 10044 - 10056 <-

5	2.6851.004.0	4	clamp Ø 32/50
15	04450497	1	vent
16	04433363	1	vent
18	04454458/10	1	pipe union
20	04454619	1	stop
21	01103553	1	nut
22	04455719.3/20	1	tube
23	01118989	1	plug
24	2.1560.023.0	1	copper gasket 30.3 x 36
28	04455744	1	pipng
29	04450523	1	valve
30	04455643.3/20	1	tube
32	04454615	1	cone
33	01102372	1	pipe fitting
35	01180565	1	plug h 310
36	01179539	1	nut CL 12 H310
37	01180617	1	cone
38	01179540	1	nut cl 15 h3105
39	04455642	1	vent
40	04455657	1	pipng
41	04451725/10	1	pipe fitting
44	0.016.2947.3	1	tube
45	01144815	1	vent
46	04455063	1	pipe fitting
47	04419612	1	reduction
50	2.1561.112.0	2	gasket Ø 22 -B-
51	2.3335.009.2	1	pipe union m 22 p.1.5 x 39
69	0.016.2948.0	1	tube 28x37.6x100
70	01172635	2	fascia
75	04454620	2	small block
76	0.016.0057.0	1	link
77	2.0312.115.2	2	screw m 6 p.1x45
78	2.0112.205.2	3	screw m 8 p.1.25 x 16
79	2.1310.004.2	2	flat washer 8.4x17
81	2.1011.103.2	2	nut m 6 p.1
83	04431440	1	nut
84	2.3369.026.2	1	nut m16x1,5
85	01180566	1	cone
86	01127347	1	nut CL 18
90	0.017.2984.0	1	bracket
91	2.1011.105.2	1	nut m 8 p.1.25



**HYDRAULIC SYSTEM LOAD SENSING**

K9\_J7059\_11\_0-B-002

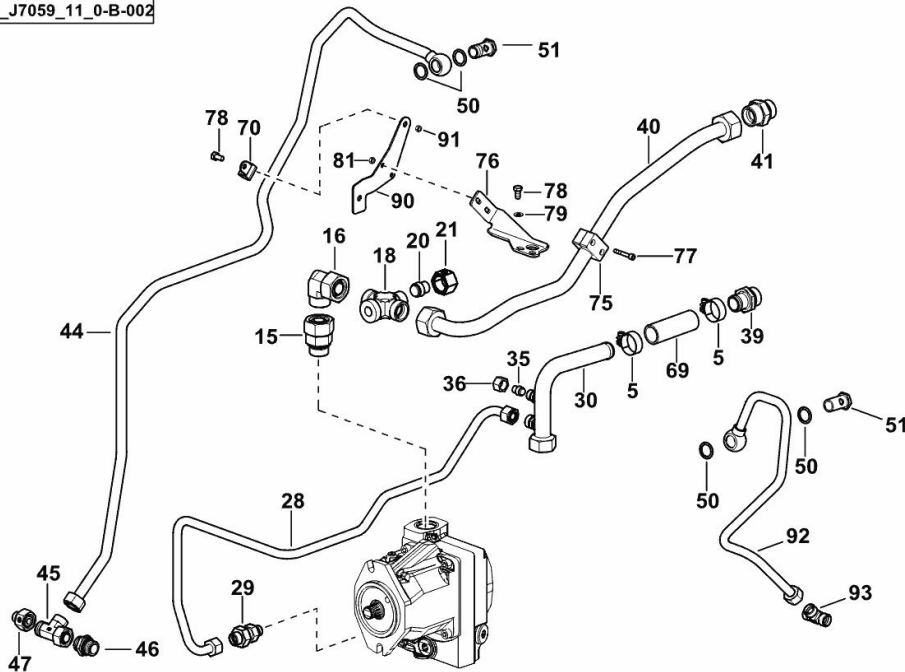


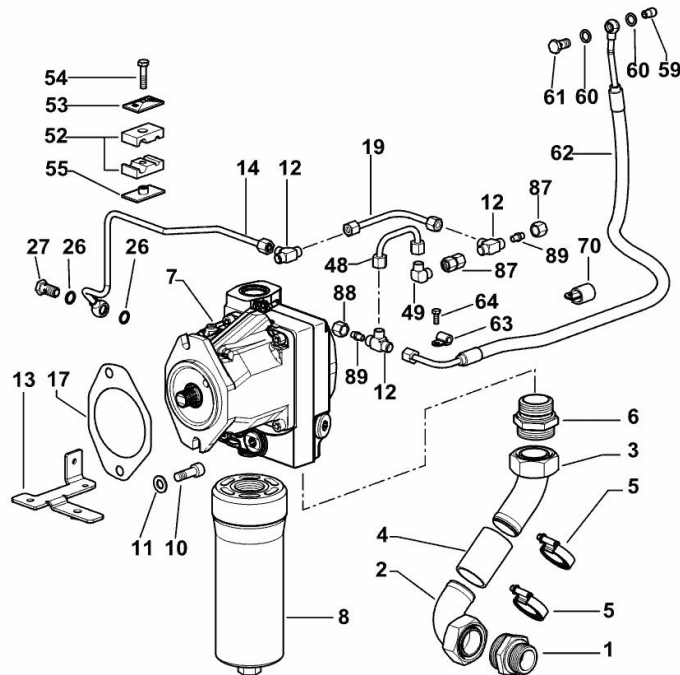
Fig.	P/n	QTY	Name
5	2.6851.004.0	4	clamp Ø 32/50
15	04450497	1	vent
16	04433363	1	vent
18	04454458/10	1	pipe union
20	04454619	1	stop
21	2.3369.023.2	1	nut
28	04455744	1	piping
29	04450523	1	valve
30	04455643.3/20	1	tube
35	01180565	1	plug h 310
36	2.3369.019.2	1	nut m 18 x 1,5
39	04455642	1	vent
40	04455657	1	piping
41	04451725/10	1	pipe fitting
44	0.016.2947.3	1	tube
45	01144815	1	vent
46	04455063	1	pipe fitting
47	04419612	1	reduction
50	2.1561.112.0	4	gasket Ø 22 -B-
51	2.3335.009.2	2	pipe union m 22 p.1.5 x 39
69	0.016.2948.0	1	tube 28x37.6x100
70	01172635	2	fascia
75	04454620	2	small block
76	0.016.0057.0	1	link
77	2.0312.115.2	2	screw m 6 p.1x45
78	2.0112.205.2	3	screw m 8 p.1.25 x 16
79	2.1310.004.2	2	flat washer 8.4x17
81	2.1011.103.2	2	nut m 6 p.1
90	0.017.2984.0	1	bracket
91	2.1011.105.2	1	nut m 8 p.1.25
92	0.018.3507.3/10	1	tube
93	01127372	1	pipe fitting 1 15 d3908

**HYDRAULIC SYSTEM LOAD SENSING**

Fig.	P/n	QTY	Name
------	-----	-----	------

**Notes:**

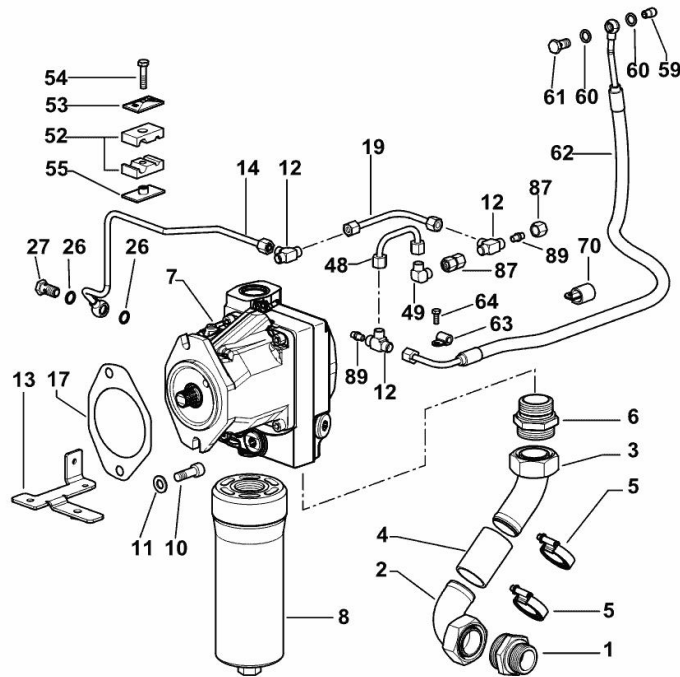
- WITH 24FWD+24REV GEARBOX [Agrotron M 625] -> 10029 - 10056 <-



K9\_J7059\_11\_0-A-001

1	04453858	1	vent
2	04454285.4/10	1	tube
3	04454287.4/30	1	tube
4	04454290/10	1	rubber sleeve
5	2.6851.004.0	4	clamp Ø 32/50
6	04452228	1	pipe fitting m 48 p.2 / m 52 p.2
7	04452222/10	1	hydraulic pump 45 cc dx/rh/re ☞ 04452222/10
8	04437773.4	1	oil filter ☞ 04437773.4
10	2.0312.412.2	2	screw m 12 p.1.75x35
11	2.1310.007.2	2	flat washer 13 x 24
12	04427045	3	pipe fitting T
13	04450542	1	support
14	04454476/10	1	pipng
17	04453380	1	gasket
19	0.015.9231.3	1	pipng
26	2.1561.107.0	2	oil seal Ø 14 -B-
27	2.3332.004.2	1	pipe union m 14 p.1.5 x 27
48	04454262	1	tube
49	01143305	1	pipe fitting
52	04454611	2	small block
53	01175670	1	small plate
54	2.0112.213.2	1	screw m 8 p.1.25 x 35
55	01180338	1	small plate
59	04451873	1	valve
60	2.1560.008.0	2	gasket 12.2 x 18
61	2.3335.005.2	1	pipe union m 12 p.1.5 x 24
62	04454971	1	tube
63	01172129	1	terminal B8X15
64	2.0112.005.2	1	screw m 6 p.1 x 16
70	01172635	2	fascia
87	04427928.4	1	pipe fitting
88	2.3369.018.2	2	nut
89	01180564	2	plug

**HYDRAULIC SYSTEM LOAD SENSING**



K9\_J7059\_11\_0-A-002

Fig.	P/n	QTY	Name
1	04453858	1	vent
2	04454285.4/10	1	tube
3	04454287.4/30	1	tube
4	04454290/10	1	rubber sleeve
5	2.6851.004.0	4	clamp Ø 32/50
6	04452228	1	pipe fitting m 48 p.2 / m 52 p.2
7	04452222/20	1	hydraulic pump 45 cc dx/rh/re ☞ 04452222/20
8	04437773.4	1	oil filter ☞ 04437773.4
10	2.0312.412.2	2	screw m 12 p.1.75x35
11	2.1310.007.2	2	flat washer 13 x 24
12	04427045	2	pipe fitting T
13	04450542	1	support
14	04454476/10	1	pipng
17	04453380	1	gasket
19	0.015.9231.3	1	pipng
26	2.1561.107.0	2	oil seal Ø 14 -B-
27	2.3332.004.2	1	pipe union m 14 p.1.5 x 27
48	04454262	1	tube
49	01143305	1	pipe fitting
52	04454611	2	small block
53	01175670	1	small plate
54	2.0112.213.2	1	screw m 8 p.1.25 x 35
55	01180338	1	small plate
59	04451873	1	valve
60	2.1560.008.0	2	gasket 12.2 x 18
61	2.3335.005.2	1	pipe union m 12 p.1.5 x 24
62	04454971	1	tube
63	01172129	1	terminal B8X15
64	2.0112.005.2	1	screw m 6 p.1 x 16
70	01172635	2	fascia
87	04427928.4	1	pipe fitting
89	01180564	2	plug

**Buy Now**



Our support email:

[ebooklibonline@outlook.com](mailto:ebooklibonline@outlook.com)