

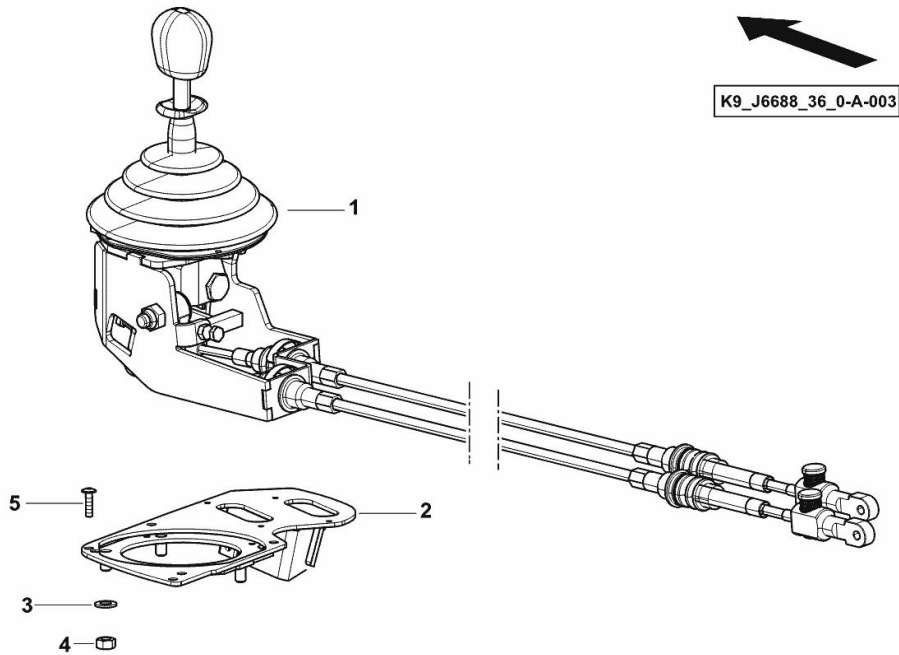
**REMOTE VALVE CROSS-GATE CONTROL**

Fig.	P/n	QTY	Name
------	-----	-----	------

**Notes:**

[Agrotron M 640 -> 10010 -> 30000] -> 10328

1	0.017.6491.4	1	operation ☞ 0.017.6491.4
2	0.015.7735.4/10	1	plate
3	2.1310.004.2	3	flat washer 8.4x17
4	2.1011.105.2	3	nut m 8 p.1.25
5	04412976	4	screw 4.8x19



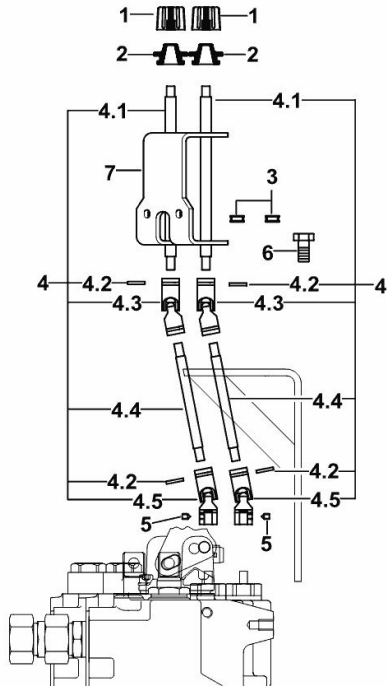
**FLOW CONTROL**

Fig.	P/n	QTY	Name
------	-----	-----	------

**Notes:**

- FOR 8-WAY DISTRIBUTOR [Agrotron M 640 -> 10010 -> 30000] 10299 <-

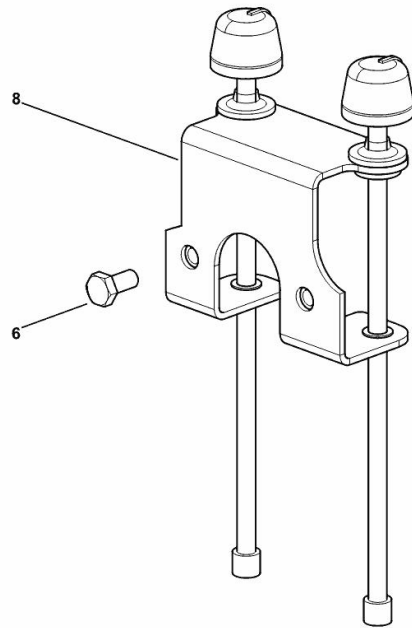
1	04411530	2	knob
2	04424188	2	grommet 16
3	04450245	2	bearing
4	04450237.4	2	small shaft
4.1	04438419	1	small shaft
4.2	2.1631.005.0	4	roll pin
4.3	04450235	1	joint
4.4	04450280	1	small shaft
4.5	04450236	1	joint
5	04437608	2	screw
6	2.0114.205.2	2	screw m 8 p.1.25 x 16
7	04450279/10	1	support



K9\_95388\_60\_0-A-001

**FLOW CONTROL**

Fig.	P/n	QTY	Name
6	2.0114.205.2	2	screw m 8 p.1.25 x 16
8	0.016.8216.4	1	control



K9\_95388\_60\_0-A-002

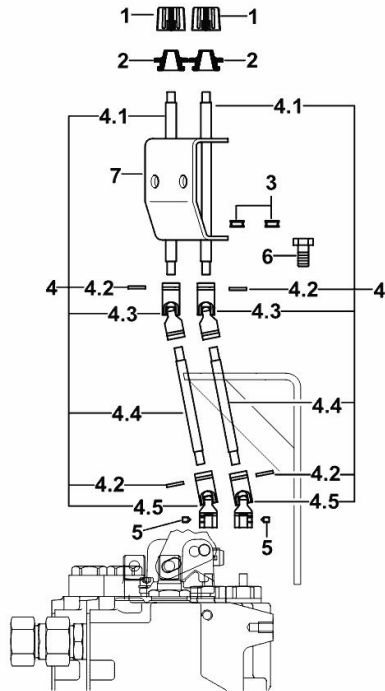
**FLOW CONTROL**

Fig.	P/n	QTY	Name
------	-----	-----	------

**Notes:**

- FOR 4-WAY DISTRIBUTOR [Agrotron M 640 -> 10010 -> 30000]

1	04411530	2	knob
2	04424188	2	grommet 16
3	04450245	2	bearing
4	04450237.4	2	small shaft
4.1	04438419	1	small shaft
4.2	2.1631.005.0	4	roll pin
4.3	04450235	1	joint
4.4	04450280	1	small shaft
4.5	04450236	1	joint
5	04437608	2	screw
6	2.0112.205.2	2	screw m 8 p.1.25 x 16
7	04438357/30	1	support



K9\_D3388\_60\_0-A-001

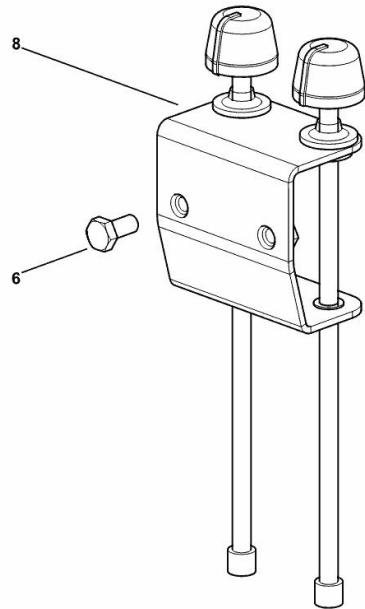
**FLOW CONTROL**

Fig.	P/n	QTY	Name
------	-----	-----	------

**Notes:**

- FOR 4-WAY DISTRIBUTOR [Agrotron M 640 -> 10010 -> 30000]

6	2.0112.205.2	2	screw m 8 p.1.25 x 16
8	0.019.1970.4	1	control ☞ 0.019.1970.4



K9\_D3388\_60\_0-A-002

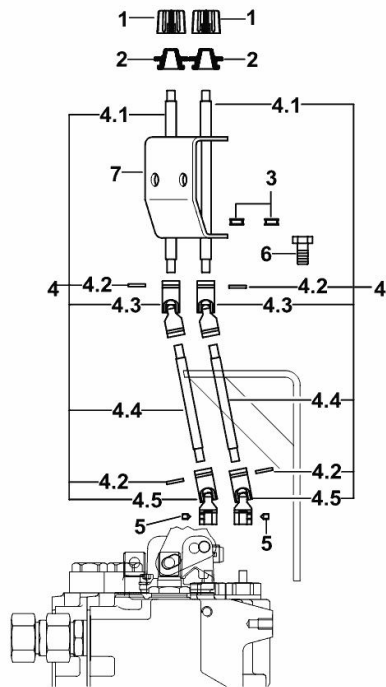
**FLOW CONTROL**

Fig.	P/n	QTY	Name
------	-----	-----	------

**Notes:**

- FOR 8-WAY DISTRIBUTOR [Agrotron M 640 -> 10010 -> 30000] 10299 <-

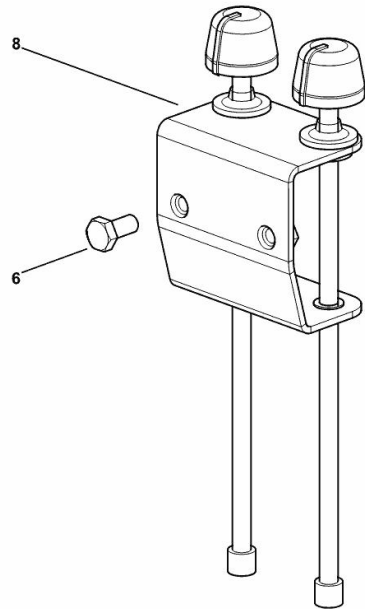
1	04411530	2	knob
2	04424188	2	grommet 16
3	04450245	2	bearing
4	04450237.4	2	small shaft
4.1	04438419	1	small shaft
4.2	2.1631.005.0	4	roll pin
4.3	04450235	1	joint
4.4	04450280	1	small shaft
4.5	04450236	1	joint
5	04437608	2	screw
6	2.0114.205.2	2	screw m 8 p.1.25 x 16
7	04438357/30	1	support



K9\_95388\_61\_0-A-001

**FLOW CONTROL**

Fig.	P/n	QTY	Name
6	2.0114.205.2	2	screw m 8 p.1.25 x 16
8	0.016.8217.4	1	control



K9\_95388\_61\_0-A-002

**Buy Now**



Our support email:

[ebooklibonline@outlook.com](mailto:ebooklibonline@outlook.com)