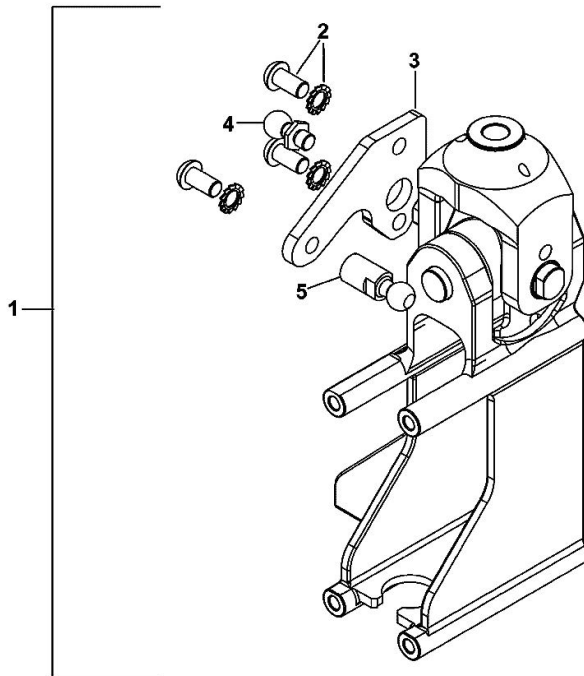


DRIVE FOR GEAR CHANGE BOX

| Fig. | P/n | QTY | Name |
|------|-----------------|-----|--------------------|
| 1 | 0.018.4957.4/10 | 1 | control |
| 2 | 0.000.0000.1 | | cannot be supplied |
| 3 | 0.900.2126.2 | 1 | bracket |
| 4 | 0.900.2126.3 | 1 | screw |
| 5 | 0.900.2126.4 | 1 | small pin |



0.018.4957.4/10

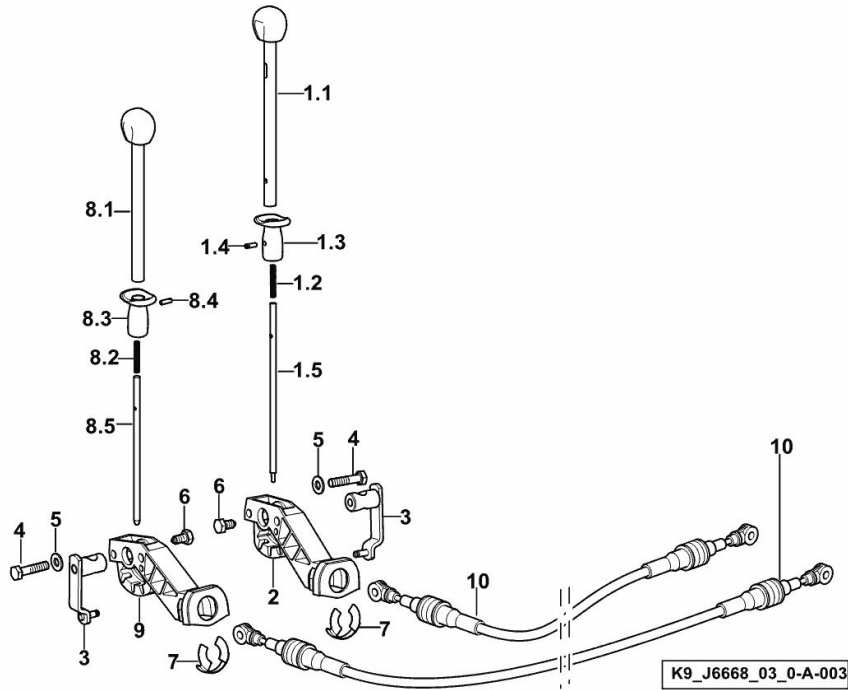
OPERATION - P.T.O. SHAFT REAR

| Fig. | P/n | QTY | Name |
|------|-----|-----|------|
|------|-----|-----|------|

Notes:

[Agrotron M 640 -> 20001]

| | | | |
|-----|--------------|---|-----------------|
| 1.1 | 0.015.9113.2 | 1 | lever |
| 1.2 | 04426194 | 1 | spring |
| 1.3 | 04411645 | 1 | coupling |
| 1.4 | 01144807 | 1 | screw |
| 1.5 | 04429555 | 1 | rod |
| 2 | 04425448/10 | 1 | support |
| 3 | 04423032.4 | 2 | lever |
| 4 | 2.0114.213.2 | 4 | screw m 8 x 35 |
| 5 | 01138374 | 4 | washer 8,4x21x4 |
| 6 | 04423712 | 2 | screw |
| 7 | 04418159 | 2 | circlip |
| 8.1 | 0.015.9114.2 | 1 | lever |
| 8.2 | 04426194 | 1 | spring |
| 8.3 | 04411645 | 1 | coupling |
| 8.4 | 01144807 | 1 | screw |
| 8.5 | 04414328 | 1 | rod |
| 9 | 04425449/10 | 1 | support |
| 10 | 0.016.2060.3 | 2 | rod mm 2520 |



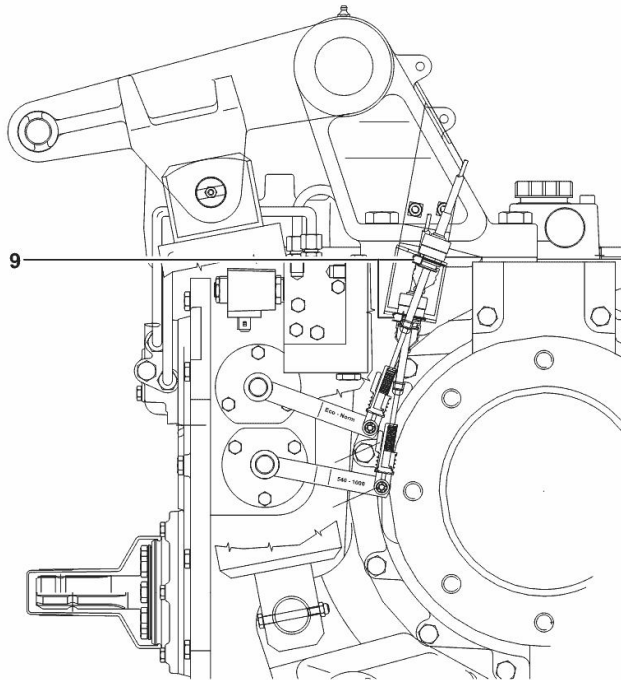
OPERATION - P.T.O. SHAFT - REAR

| Fig. | P/n | QTY | Name |
|------|-----|-----|------|
|------|-----|-----|------|

Notes:

[Agrotron M 640 -> 20001]

| | | | |
|---|----------|---|---------|
| 9 | 04418159 | 4 | circlip |
|---|----------|---|---------|



K9_95368_08_0-A-002

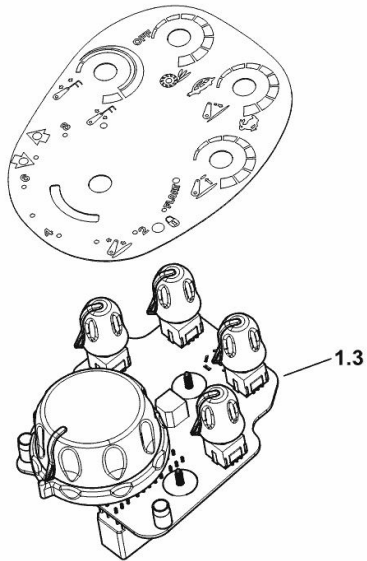
REAR LIFT CONTROL

| Fig. | P/n | QTY | Name |
|------|-----|-----|------|
|------|-----|-----|------|

Notes:

- FOR 4-WAY DISTRIBUTOR [Agrotron M 640 -> 20001]

| | | | |
|-----|--------------|---|---------|
| 1.3 | 0.017.6115.4 | 1 | control |
|-----|--------------|---|---------|



K9_R5564_04_0-A-001

REAR LIFT CONTROL

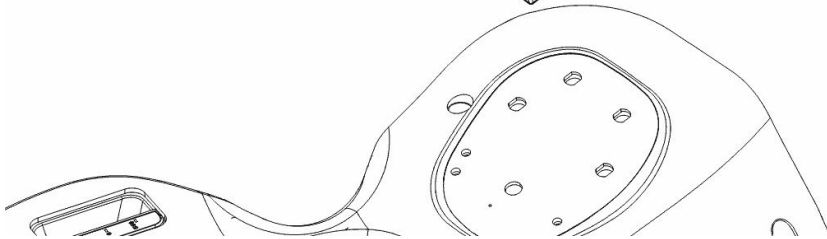
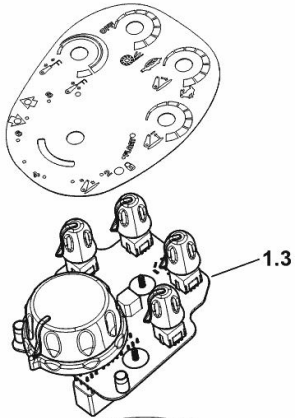
| Fig. | P/n | QTY | Name |
|------|-----|-----|------|
|------|-----|-----|------|

Notes:

- FOR 8-WAY DISTRIBUTOR [Agrotron M 640 -> 20001]

| | | | |
|-----|--------------|---|---------|
| 1.3 | 0.017.6115.4 | 1 | control |
|-----|--------------|---|---------|

K9_R5564_03_0-B-001



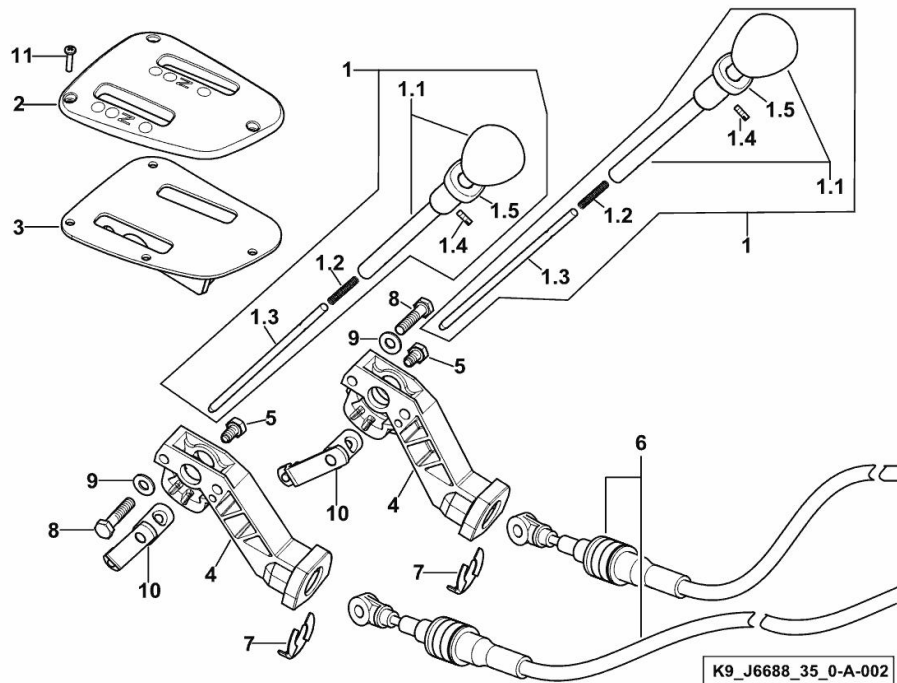
DISTRIBUTOR CONTROL

| Fig. | P/n | QTY | Name |
|------|-----|-----|------|
|------|-----|-----|------|

Notes:

[Agrotron M 640 -> 20001]

| | | | |
|-----|--------------|---|-----------------|
| 1 | 04423028.4 | 2 | lever |
| 1.1 | 04423023.4 | 1 | lever |
| 1.2 | 04426194 | 1 | spring |
| 1.3 | 04425215 | 1 | rod |
| 1.4 | 01144807 | 1 | screw |
| 1.5 | 04411645 | 1 | coupling |
| 2 | 0.015.7671.0 | 1 | screen |
| 3 | 0.015.7672.3 | 1 | plate |
| 4 | 04425445/10 | 2 | support |
| 5 | 04423712 | 2 | screw |
| 6 | 0.016.2061.3 | 2 | rod |
| 7 | 04418159 | 2 | circlip |
| 8 | 2.0114.213.2 | 4 | screw m 8 x 35 |
| 9 | 01138374 | 4 | washer 8,4x21x4 |
| 10 | 04423032.4 | 2 | lever |
| 11 | 04424184 | 3 | screw |



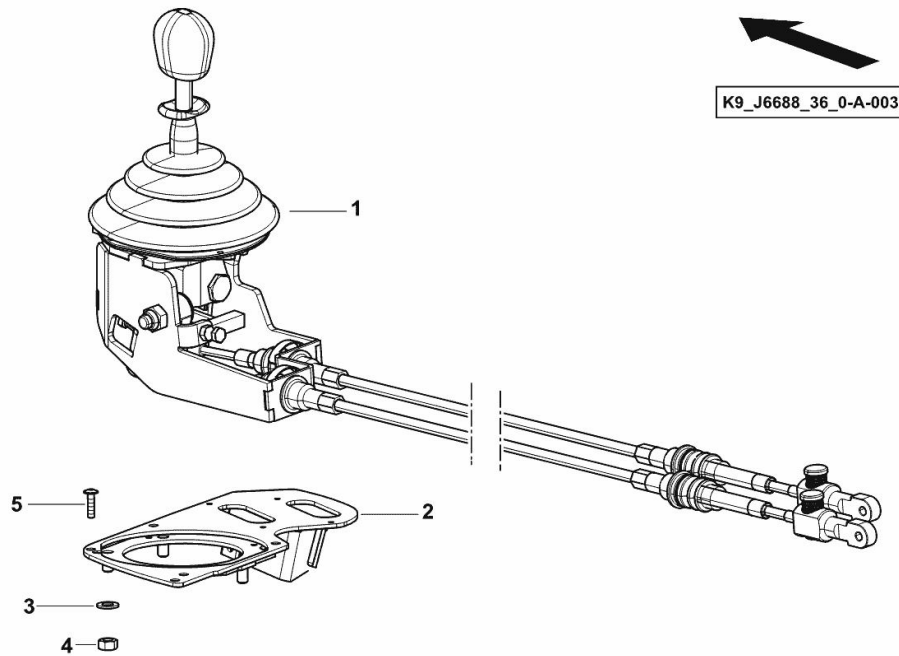
REMOTE VALVE CROSS-GATE CONTROL

| Fig. | P/n | QTY | Name |
|------|-----|-----|------|
|------|-----|-----|------|

Notes:

[Agrotron M 640 -> 20001]

| | | | |
|---|-----------------|---|-----------------------------|
| 1 | 0.017.6491.4 | 1 | operation ☞ 0.017.6491.4 |
| 2 | 0.015.7735.4/10 | 1 | plate |
| 3 | 2.1310.004.2 | 3 | flat washer 8.4x17 |
| 4 | 2.1011.105.2 | 3 | nut m 8 p.1.25 |
| 5 | 04412976 | 4 | screw 4.8x19 |



Buy Now



Our support email:

ebooklibonline@outlook.com