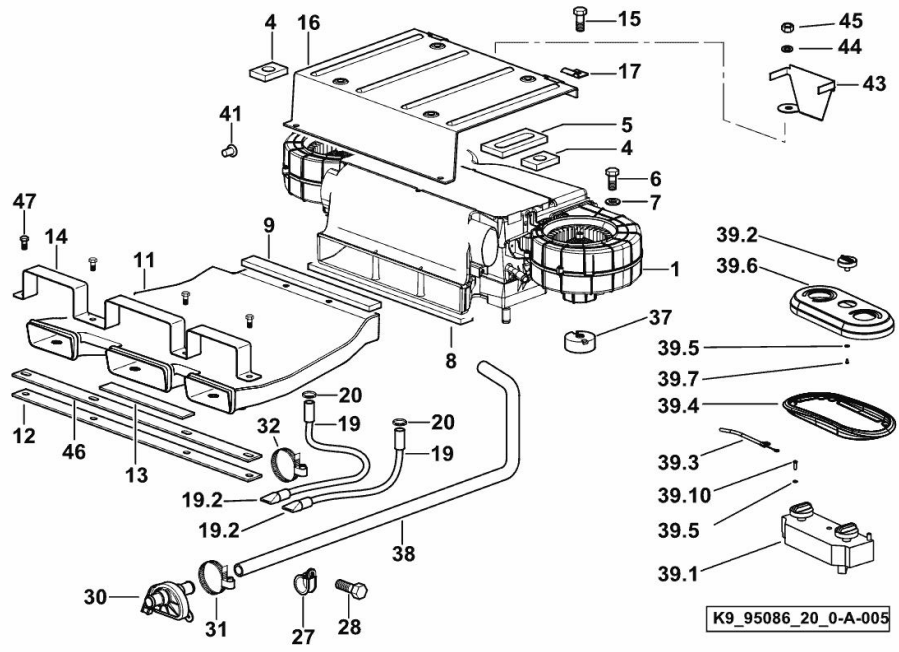


CLIMATE CONTROL SYSTEM

Fig.	P/n	QTY	Name
1	0.010.9139.4/50	1	air-conditioning sys. ☞ 0.010.9139.4/50
4	0.017.1000.0/10	2	gasket
5	0.017.0996.0/10	1	gasket
6	2.0114.215.2	1	screw m 8 p.1.25 x 40
7	2.1310.004.2	9	flat washer 8.4x17
8	0.017.1001.0/10	1	gasket
9	0.017.1003.0	1	gasket
11	0.010.8330.0/10	1	duct
12	0.017.1005.0	1	gasket
13	0.017.1004.0	3	gasket
14	0.010.8331.0/10	1	clamp
15	2.0112.307.2	8	screw m 10 p.1.5 x 20
16	04429952.4/30	1	cover
17	0.010.6539.0/40	2	hinge
19	0.011.4589.3/10	2	flexible hose
19.2	0.009.0890.0	1	terminal
20	2.6851.019.0	2	clamp Ø 13/20
27	2.6839.054.0	2	clamp Ø 20/25
28	2.0112.009.2	1	screw m 6 p.1 x 25
30	04429584	1	cock
31	2.6851.001.0	3	clamp Ø 16/25
32	04423216	1	clamp
37	0.014.8200.0	2	block
38	04429761	1	tube
39.1	04429902	1	dir. control valve slide ☞ 04429902
39.2	04429903	1	diaphragm
39.3	0.017.6481.3	1	rod
39.4	0.011.5346.0	1	gasket
39.5	01122121	5	washer 4,3x9x0,8
39.6	04429898	1	button
39.7	01132709	1	screw
39.10	04414546	4	screw
41	01172669	2	rivet 4.8x10.3
43	04453445	1	bracket
44	2.1470.004.2	1	lock washer 8
45	2.1011.105.2	1	nut m 8 p.1.25
46	04429732	1	plate
47	2.0114.211.2	4	screw m 8 x 30



Section: G0 - BODYWORK - CAB
CLIMATE CONTROL SYSTEM

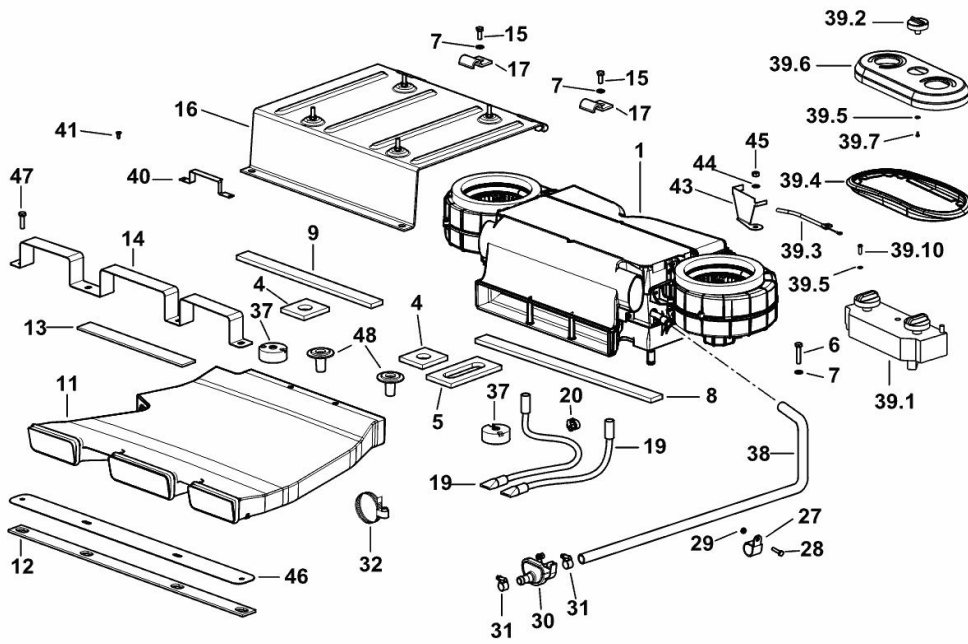


Fig.	P/n	QTY	Name
------	-----	-----	------

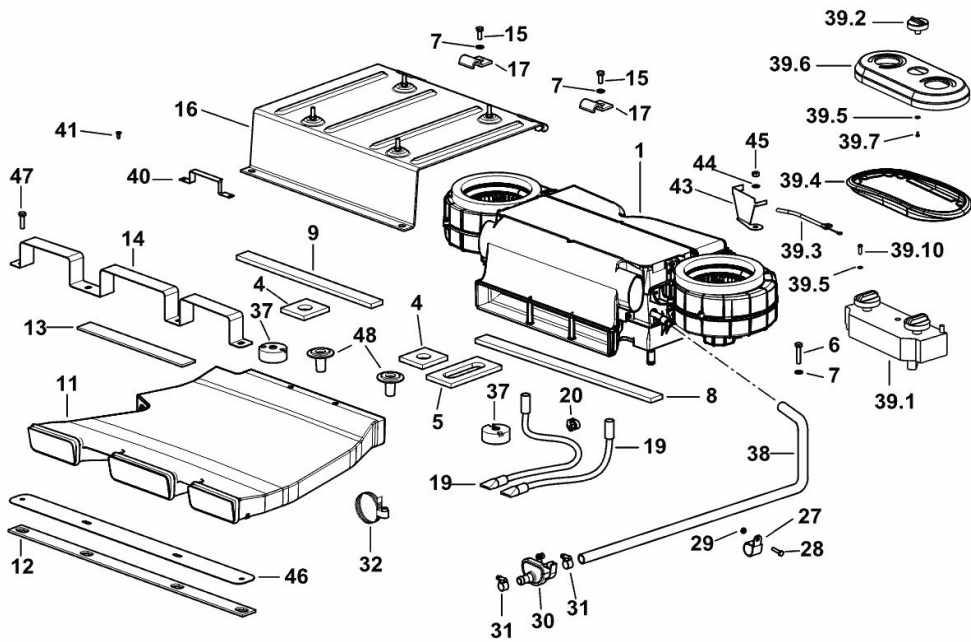
Notes:

[Agrotron M 640 Profiline] -> 10342 - 10346 <-

1	0.017.0364.4	1	air-conditioning sys. ☞ 0.017.0364.4
4	0.017.1000.0	2	gasket
5	0.017.0996.0	1	gasket
6	2.0114.215.2	1	screw m 8 p.1.25 x 40
7	2.1310.004.2	9	flat washer 8.4x17
8	0.017.1001.0	1	gasket
9	0.017.1003.0	1	gasket
11	0.010.8330.0/10	1	duct
12	0.017.1005.0	1	gasket
13	0.017.1004.0	1	gasket
14	0.010.8331.0/10	1	clamp
15	04426352	8	screw m 8 p.1.25 x 20
16	04429952.4	1	cover
17	0.010.6539.0/20	2	hinge
19	0.011.4589.3/10	2	flexible hose
20	2.6851.019.0	2	clamp Ø 13/20
27	01173053	2	clamp b 25x20
28	2.0114.009.2	2	screw m 6 x 25, d933
29	2.1011.103.2	2	nut m 6 p.1
30	04429584	1	cock
31	2.6851.001.0	3	clamp Ø 16/25
32	04423216	1	clamp
37	0.014.8200.0	2	block
38	04429761	1	tube
39.1	04429902	1	dir. control valve slide ☞ 04429902
39.2	04429903	1	diaphragm
39.3	0.017.6481.3	1	rod (-> 10342)
39.4	0.011.5346.0	1	gasket
39.5	01122121	5	washer 4,3x9x0,8
39.6	04429898	1	button
39.7	01132709	1	screw
39.10	04414546	4	screw
40	04429773	1	bracket
41	01172669	2	rivet 4.8x10.3
43	04453445	1	bracket
44	2.1470.004.2	1	lock washer 8
45	2.1011.105.2	1	nut m 8 p.1.25
46	04429732	1	plate
47	2.0114.211.2	4	screw m 8 x 30

CLIMATE CONTROL SYSTEM

Fig.	P/n	QTY	Name
48	0.013.0425.0	2	tube



K9_L0286_20_0-A-001

Section: G0 - BODYWORK - CAB
CLIMATE CONTROL SYSTEM

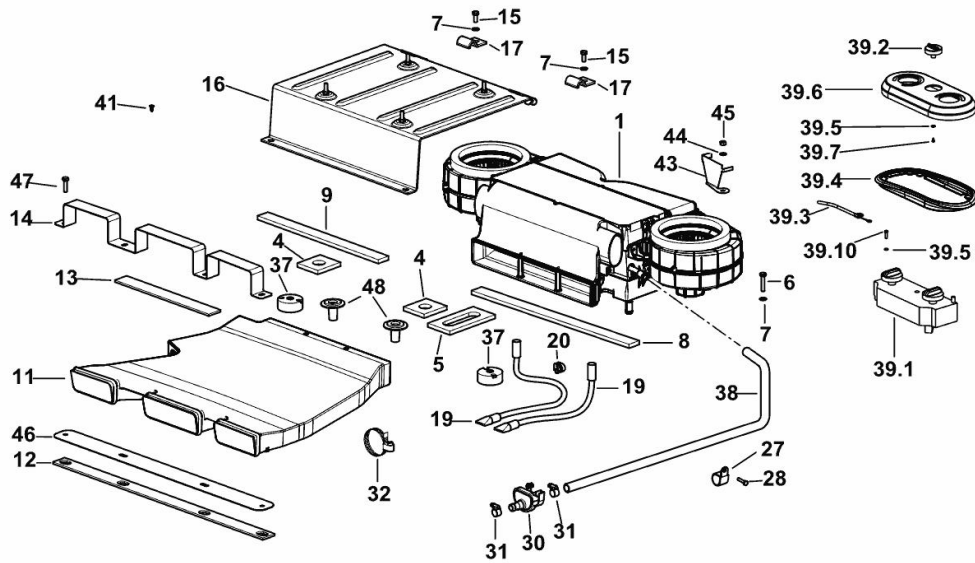
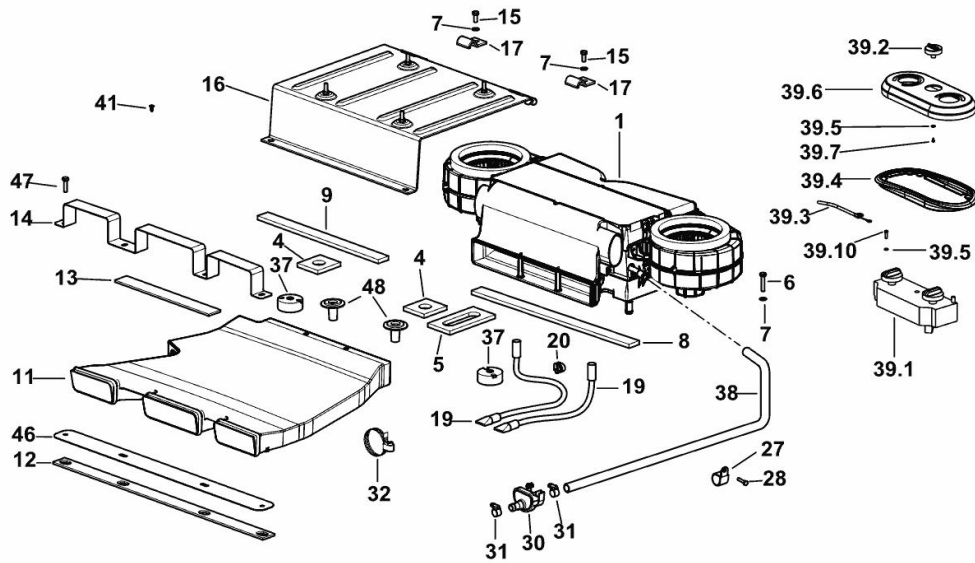


Fig.	P/n	QTY	Name
Notes:			
[Agrotron M 640 Profiline] -> 10347 - 10365 <-			
1	0.017.0364.4	1	air-conditioning sys. ☞ 0.017.0364.4
4	0.017.1000.0	2	gasket
5	0.017.0996.0	1	gasket
6	2.0114.215.2	1	screw m 8 p.1.25 x 40
7	2.1310.004.2	9	flat washer 8.4x17
8	0.017.1001.0	1	gasket
9	0.017.1003.0	1	gasket
11	0.010.8330.0/10	1	duct
12	0.017.1005.0	1	gasket
13	0.017.1004.0	1	gasket
14	0.010.8331.0/10	1	clamp
15	04426352	8	screw m 8 p.1.25 x 20
16	04429952.4/10	1	cover
17	0.010.6539.0/30	2	hinge
19	0.011.4589.3/10	2	flexible hose
20	2.6851.019.0	2	clamp Ø 13/20
27	2.6839.054.0	2	clamp Ø 20/25
28	2.0112.009.2	1	screw m 6 p.1 x 25
30	04429584	1	cock
31	2.6851.001.0	3	clamp Ø 16/25
32	04423216	1	clamp
37	0.014.8200.0	2	block
38	04429761	1	tube
39.1	04429902	1	dir. control valve slide ☞ 04429902
39.2	04429903	1	diaphragm
39.3	0.017.6481.3	1	rod
39.4	0.011.5346.0	1	gasket
39.5	01122121	5	washer 4,3x9x0,8
39.6	04429898	1	button
39.7	01132709	1	screw
39.10	04414546	4	screw
41	01172669	2	rivet 4.8x10.3
43	04453445	1	bracket
44	2.1470.004.2	1	lock washer 8
45	2.1011.105.2	1	nut m 8 p.1.25
46	04429732	1	plate
47	2.0114.211.2	4	screw m 8 x 30
48	0.013.0425.0	2	tube

CLIMATE CONTROL SYSTEM



K9_L0286_20_0-A-003

Fig.	P/n	QTY	Name
------	-----	-----	------

Notes:

[Agrotron M 640 Profiline]

1	0.017.0364.4	1	air-conditioning sys. ☞ 0.017.0364.4
4	0.017.1000.0	2	gasket
5	0.017.0996.0	1	gasket
6	2.0114.215.2	1	screw m 8 p.1.25 x 40
7	2.1310.004.2	9	flat washer 8.4x17
8	0.017.1001.0	1	gasket
9	0.017.1003.0	1	gasket
11	0.010.8330.0/10	1	duct
12	0.017.1005.0	1	gasket
13	0.017.1004.0	3	gasket
14	0.010.8331.0/10	1	clamp
15	04426352	8	screw m 8 p.1.25 x 20
16	04429952.4/20	1	cover
17	0.010.6539.0/40	2	hinge
19	0.011.4589.3/10	2	flexible hose
20	2.6851.019.0	2	clamp Ø 13/20
27	2.6839.054.0	2	clamp Ø 20/25
28	2.0112.009.2	1	screw m 6 p.1 x 25
30	04429584	1	cock
31	2.6851.001.0	3	clamp Ø 16/25
32	04423216	1	clamp
37	0.014.8200.0	2	block
38	04429761	1	tube
39.1	04429902	1	dir. control valve slide ☞ 04429902
39.2	04429903	1	diaphragm
39.3	0.017.6481.3	1	rod
39.4	0.011.5346.0	1	gasket
39.5	01122121	5	washer 4,3x9x0,8
39.6	04429898	1	button
39.7	01132709	1	screw
39.10	04414546	4	screw
41	01172669	2	rivet 4.8x10.3
46	04429732	1	plate
47	2.0114.211.2	4	screw m 8 x 30
48	0.013.0425.0	2	tube

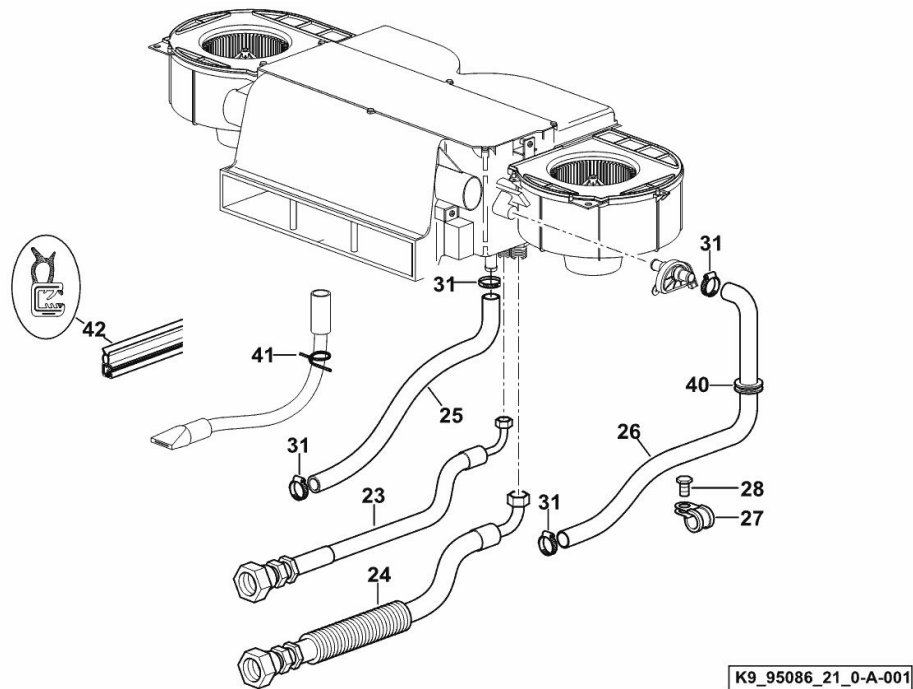
AIR CONDITIONING UNIT - LINES

Fig.	P/n	QTY	Name
------	-----	-----	------

Notes:

[Agrotron M 640 Profiline] 10134 <-

23	04436204	1	tube
24	04436203/10	1	tube
25	04429146/10	1	tube
26	04429145/10	1	tube
27	2.6839.054.0	2	clamp Ø 20/25
28	2.0112.009.2	1	screw m 6 p.1 x 25
31	2.6851.001.0	4	clamp Ø 16/25
40	2.6560.016.0	1	wire guide
41	04429943	4	clamp
42	04419141	1	gasket



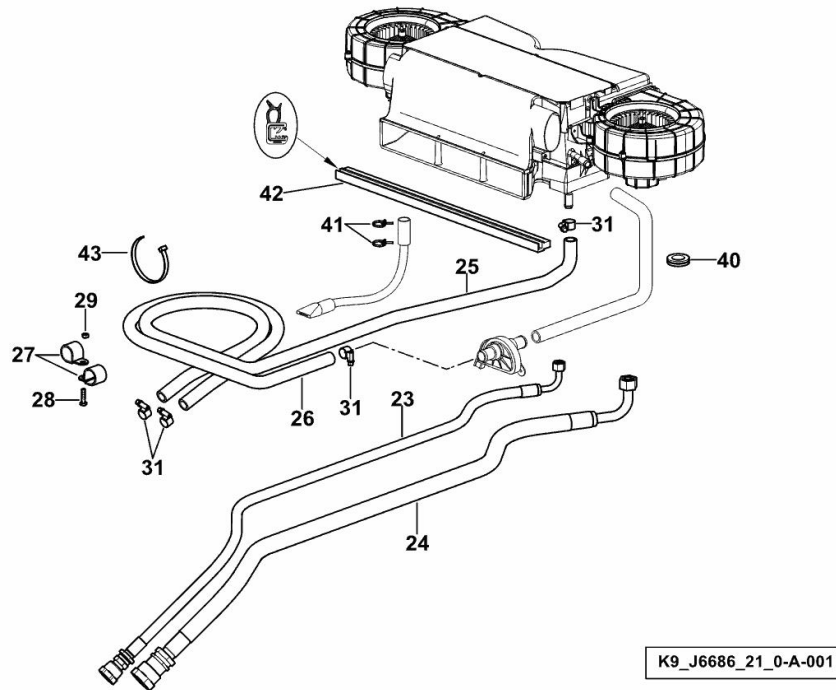
AIR CONDITIONING UNIT - LINES

Fig.	P/n	QTY	Name
------	-----	-----	------

Notes:

[Agrotron M 640 Profiline] -> 10135 - 10341 <-

23	0.016.0182.3	1	tube mm 1400
24	0.016.0183.3	1	tube mm 1440
25	0.016.1852.0	1	tube
26	0.016.1851.0/10	1	tube
27	01173053	2	clamp b 25x20
28	2.0112.009.2	1	screw m 6 p.1 x 25
29	2.1011.103.2	1	nut m 6 p.1
31	2.6851.001.0	4	clamp Ø 16/25
40	2.6560.016.0	1	wire guide
41	04429943	4	clamp
42	04419141	0.5	gasket
43	2.6852.203.0	3	clamp 292 x 4.8



Buy Now



Our support email:

ebooklibonline@outlook.com