

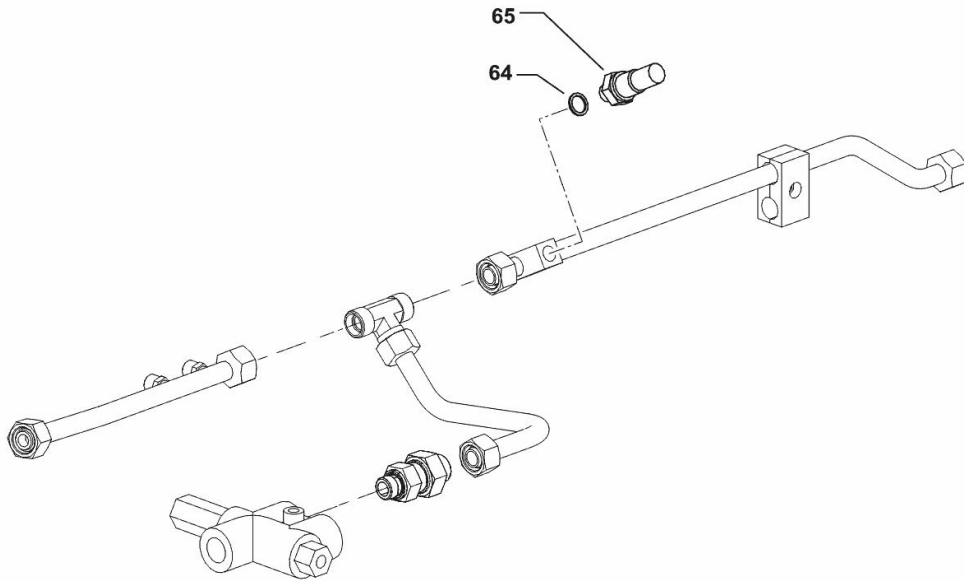
LOAD SENSING HYDRAULIC SYSTEM PRESSURE SWITCH

Fig.	P/n	QTY	Name
------	-----	-----	------

Notes:

- FOR TYPES WITH PNEUMATIC BRAKE [Agrotron M 650 -> 20001]

64	2.1560.009.0	1	gasket 14.2x18
65	0.012.4371.0	1	pressure switch 5 BAR



K9_J3163_03_0-C-001

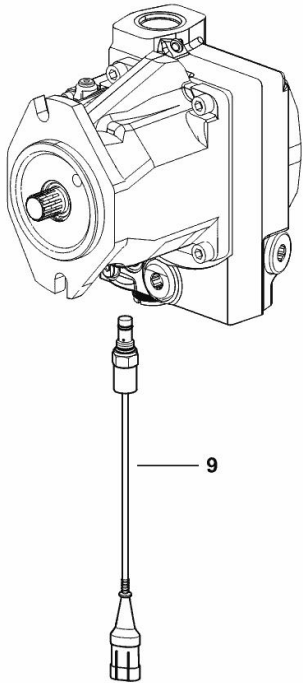
OIL FILTER CLOGGING SENSOR LOAD SENSING

Fig.	P/n	QTY	Name
------	-----	-----	------

Notes:

[Agrotron M 650 -> 20001]

9	2.7099.890.0	1	pressure switch 2.75 BAR
---	--------------	---	--------------------------



K9_J7059_11_0-C-001

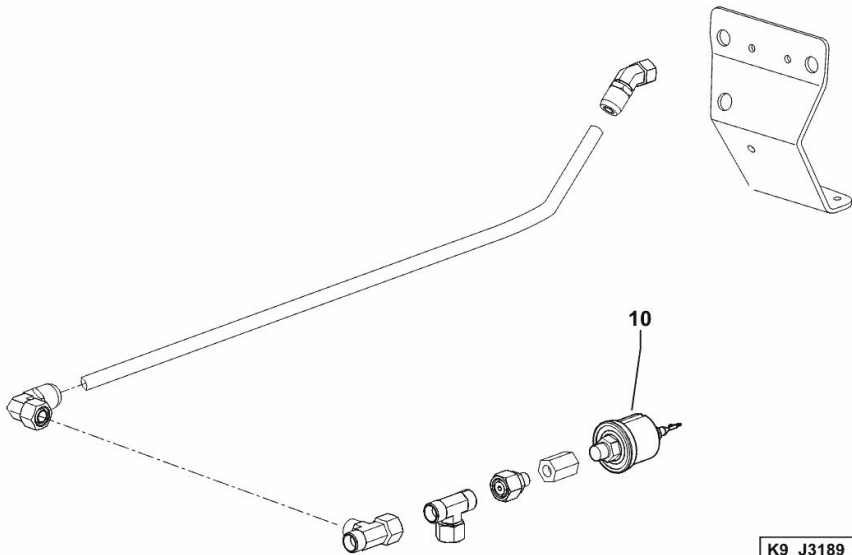
PRESSURE SWITCH FOR AIR BRAKING SYSTEM

Fig.	P/n	QTY	Name
------	-----	-----	------

Notes:

- FOR TYPES WITH PNEUMATIC BRAKE [Agrotron M 650 -> 20001]

10	0.011.9428.0	1	pressure switch
----	--------------	---	-----------------



K9_J3189_15_0-E-001

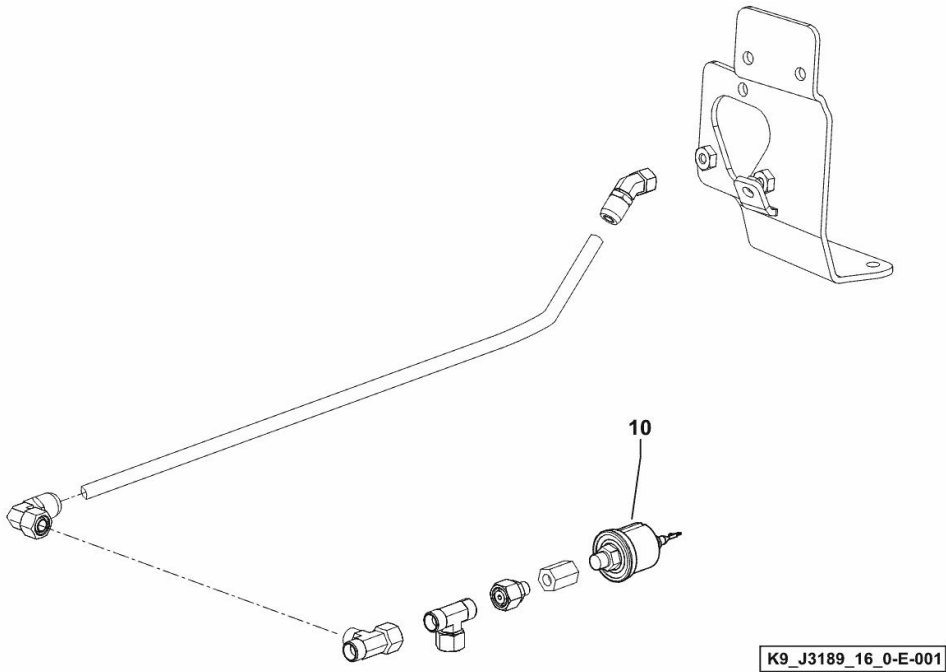
PRESSURE SWITCH FOR AIR BRAKING SYSTEM

Fig.	P/n	QTY	Name
------	-----	-----	------

Notes:

- ITALY [Agrotron M 650 -> 20001]

10	0.011.9428.0	1	pressure switch
----	--------------	---	-----------------



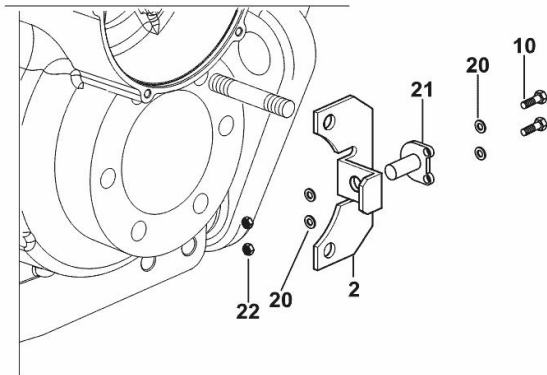
SENSOR P.T.O. SHAFT

Fig.	P/n	QTY	Name
------	-----	-----	------

Notes:

- EXPORT U.S.A. [Agrotron M 650 -> 20001]

2	0.012.9605.0/10	1	support
10	2.0312.004.2	2	screw m 5 p.0.8 x 10
20	2.1480.011.2	4	washer 5
21	0.010.1214.4	1	sensor
22	2.1011.102.2	2	nut m 5 p.0.7



K9_R5184_07_0-B-001

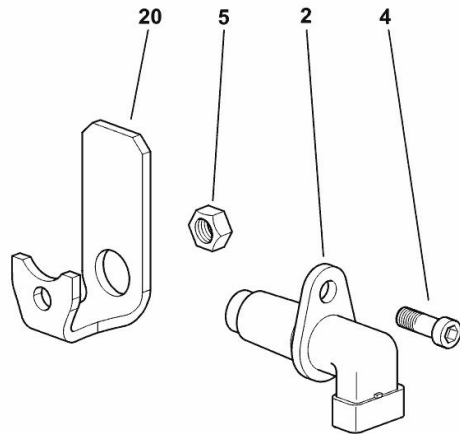
SENSOR P.T.O. SHAFT

Fig.	P/n	QTY	Name
------	-----	-----	------

Notes:

[Agrotron M 650 -> 20001]

2	04438352	1	position sensor L = 39,7mm
4	2.0312.208.2	1	screw m 8 p.1.25 x 25
5	2.1011.106.2	2	nut m 10 p.1.5
20	04418427/10	1	bracket



K9_R5184_06_0-B-001

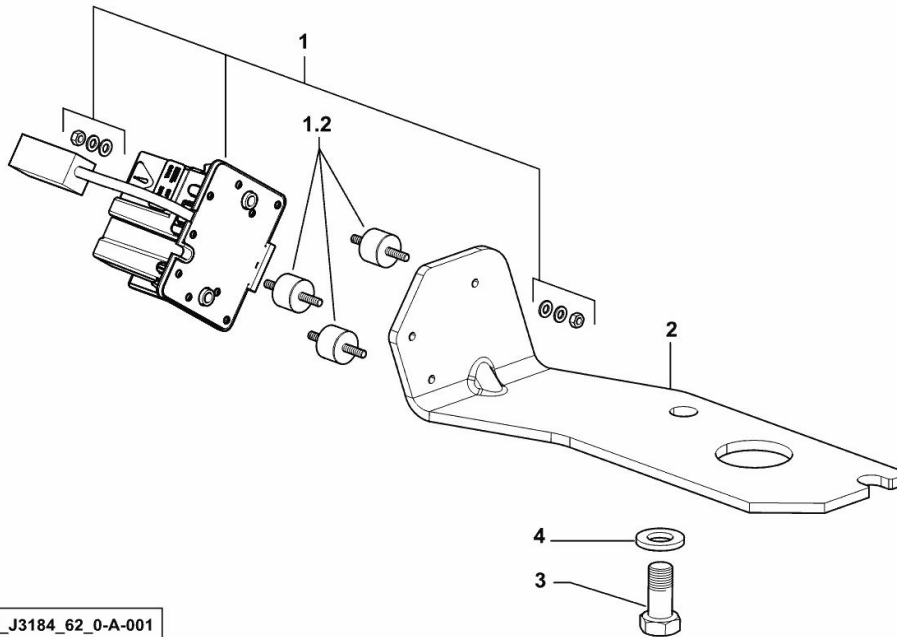
RADAR Km/h

Fig.	P/n	QTY	Name
------	-----	-----	------

Notes:

[Agrotron M 650 -> 20001]

1	2.7099.977.4	1	radar
1.2	0.015.3865.0	3	silent-block
2	0.014.9949.0/20	1	support
3	2.0112.715.2	2	screw m 18 p.2.5x40
4	2.1475.007.2	2	washer 18



K9_J3184_62_0-A-001

Buy Now



Our support email:

ebooklibonline@outlook.com