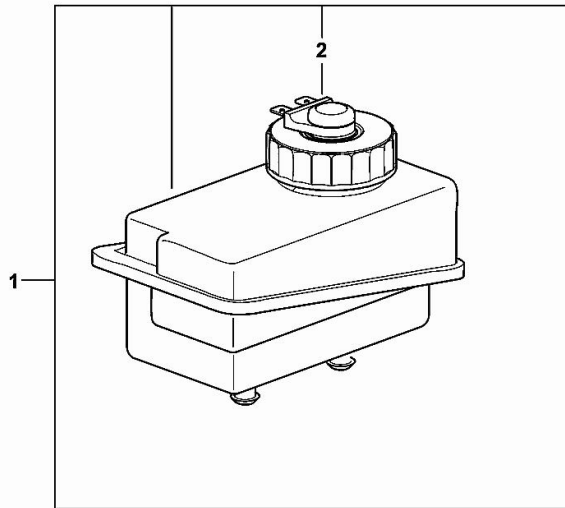


**OIL RESERVOIR**

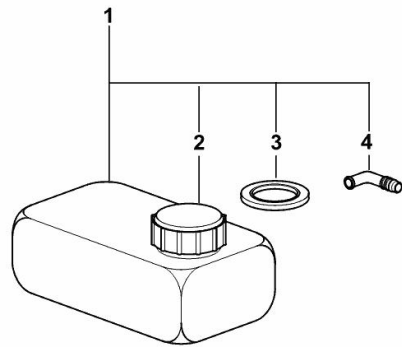
Fig.	P/n	QTY	Name
1	0.017.3299.0	1	small tank
2	0.900.1581.9	1	plug



0.017.3299.0

**TANK - PARTS**

Fig.	P/n	QTY	Name
1	04432281	1	tank
2	04438477	1	cover
3	04414695	1	ring
4	04305837	1	pipe fitting 6, d128



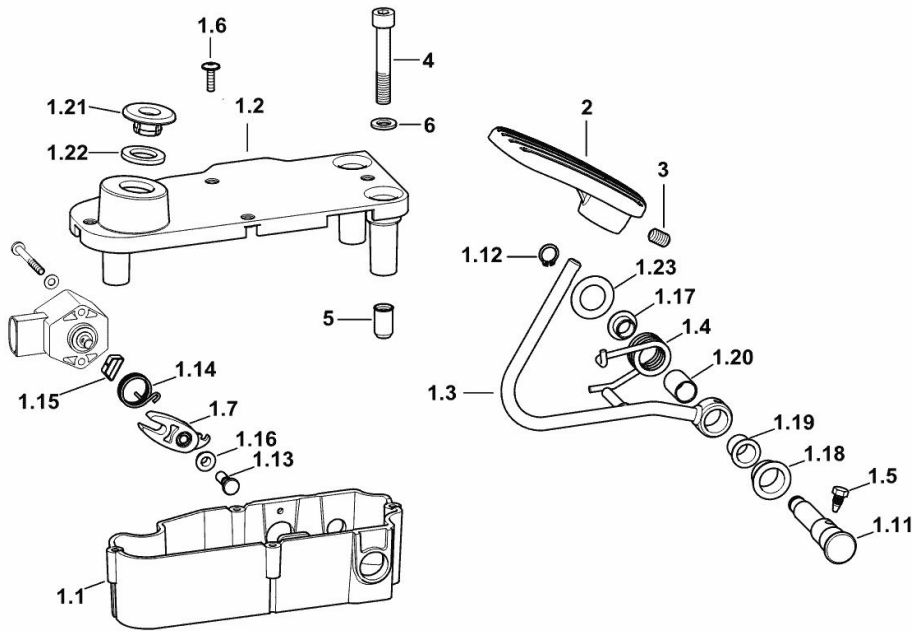
04432281

**ELECTRONIC ACCELERATOR CONTROL**

Fig.	P/n	QTY	Name
------	-----	-----	------

Notes:  
[AGROTRON M 650]

1.1	0.010.8694.2/30	1	box
1.2	0.012.6572.0	1	cover
1.3	0.010.8699.2/30	1	lever
1.4	2.4099.115.2/30	1	spring
1.5	2.0399.272.2	1	screw m 5
1.6	2.0363.105.2	4	screw m 4
1.7	0.011.6578.0	1	lever
1.11	0.011.6028.0/10	1	pin
1.12	2.1410.001.1	1	circlip 10
1.13	2.1699.492.2/20	1	pin
1.14	2.4099.134.2	1	spring
1.15	0.011.3791.0	1	clip
1.16	2.2841.010.0	1	bushing 6x8x6
1.17	2.2841.034.0	1	bushing 10x12x7
1.18	2.2841.071.0	1	bushing 16x18x12
1.19	2.2841.043.0	1	bushing 12 x 14 x 15
1.20	2.2840.042.0	1	bushing 12x14x20
1.21	0.011.9149.0	1	plug
1.22	0.011.8709.0	1	washer
1.23	2.1599.044.2	1	shoulder ring
2	0.010.8696.2/20	1	accel. pedal
3	2.0512.204.7	1	grub screw m 8 p.1.25 x 12
4	2.0312.216.2	3	screw m 8 p.1.25x50
5	2.1142.011.2	3	insert m 8
6	2.1474.009.2	3	spring washer 8



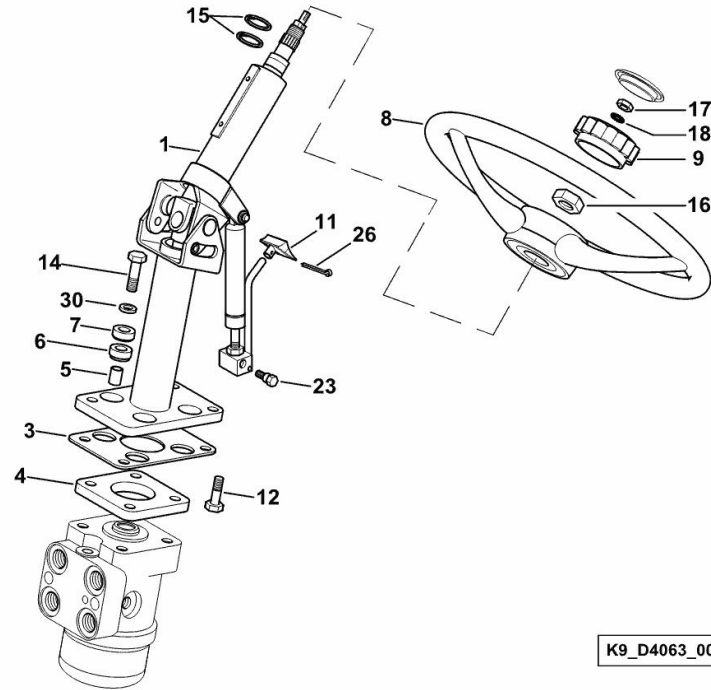
K9\_B7467\_00\_0-A-001

**STEERING COLUMN**

Fig.	P/n	QTY	Name
------	-----	-----	------

Notes:  
[AGROTRON M 650]

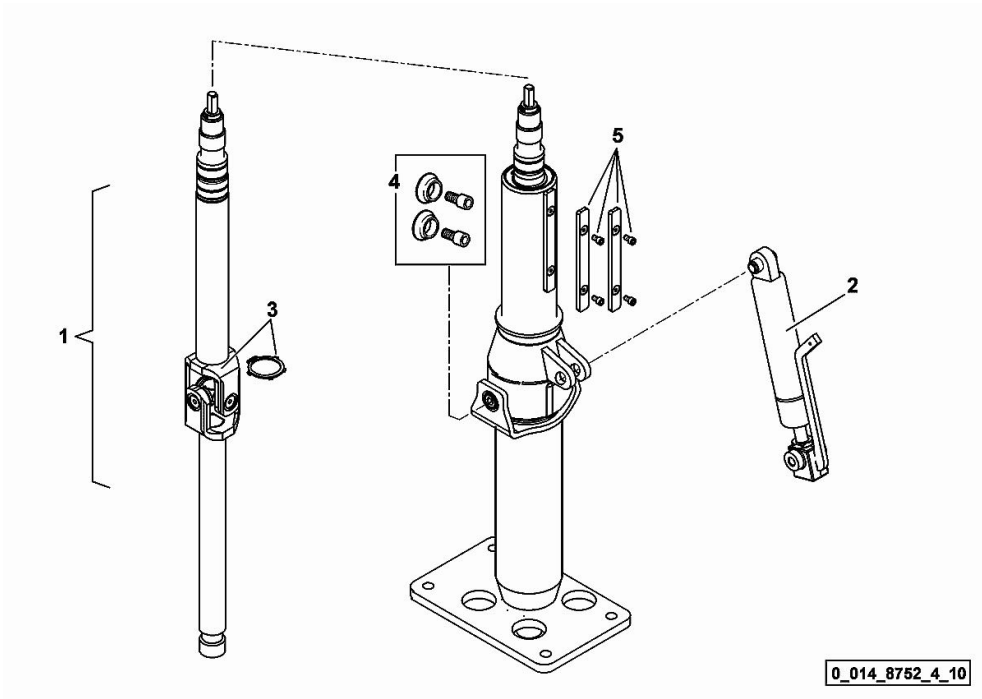
1	0.014.8752.4/10	1	steering column ☞ 0.014.8752.4/10
3	0.010.7445.0/10	1	plate
4	04355546	1	plate
5	04386557	4	spacer
6	04355695	4	spacer
7	0.018.1722.0	4	spacer
8	04396976	1	steering wheel
9	04386688	1	ring nut
11	04412354	1	knob
12	2.0114.307.2	4	screw m 10 x 20, d933
14	2.0114.315.2	4	screw m 10 p.1.5 x 40
15	2.1410.010.7	2	circlip 25
16	2.1012.510.7	1	nut m 18 p.1.5
17	2.1011.105.2	1	nut m 8 p.1.25
18	2.1310.004.2	1	flat washer 8.4x17
23	2.0119.243.2/10	2	screw m 8 p1.25x16
26	01122070	1	split pin 2 x 20
30	2.1399.039.2/10	4	washer 10 x 25 x 2,5



K9\_D4063\_00\_0-A-002

**STEERING COLUMN**

Fig.	P/n	QTY	Name
1	0.014.8752.4/10	1	steering column
2	0.010.3701.1	1	spring
3	0.900.0454.4	1	shaft
4	0.900.0129.2	1	pin
5	0.010.3701.0	1	stick



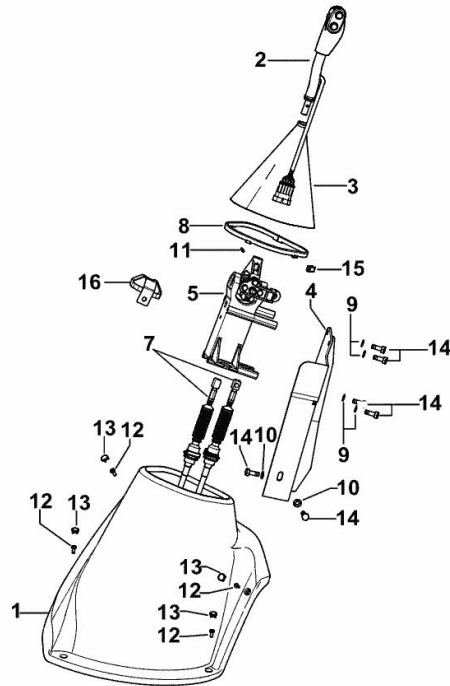
0\_014\_8752\_4\_10

**GEAR SHIFTING**

Fig.	P/n	QTY	Name
------	-----	-----	------

Notes:  
[AGROTRON M 650]

1	0.013.2606.0/20	1	lining RAL 7046
2	0.013.3617.4	1	gear lever ☞ 0.013.3617.4
3	0.015.9415.0/10	1	bellows
4	0.013.2733.3/20	1	support
5	0.013.1226.4/20	1	control ( 10077 <- ) ☞ 0.013.1226.4/20
5	0.018.4957.4/10	1	control ☞ 0.018.4957.4/10
7	0.016.1682.0	2	rod ( 10077 <- ) ☞ 0.016.1682.0
7	0.018.4935.4/10	2	rod
8	0.013.4430.0	1	frame
9	2.1312.004.2	4	washer 8x24x2
10	2.1310.004.2	2	flat washer 8.4x17
11	2.1630.410.0	1	roll pin 4 x 20 ( 10077 <- )
11	2.1630.452.0	1	pin 4 x 30
12	2.0332.304.2	4	screw m 5 p.0.8 x 12
13	2.3199.307.0/10	4	plug RAL 7046
14	2.0112.208.2	6	screw m 8 p.1.25 x 22
15	04452950	6	brace
16	0.019.5112.0/10	1	bracket



K9\_D4064\_02\_0-A-001

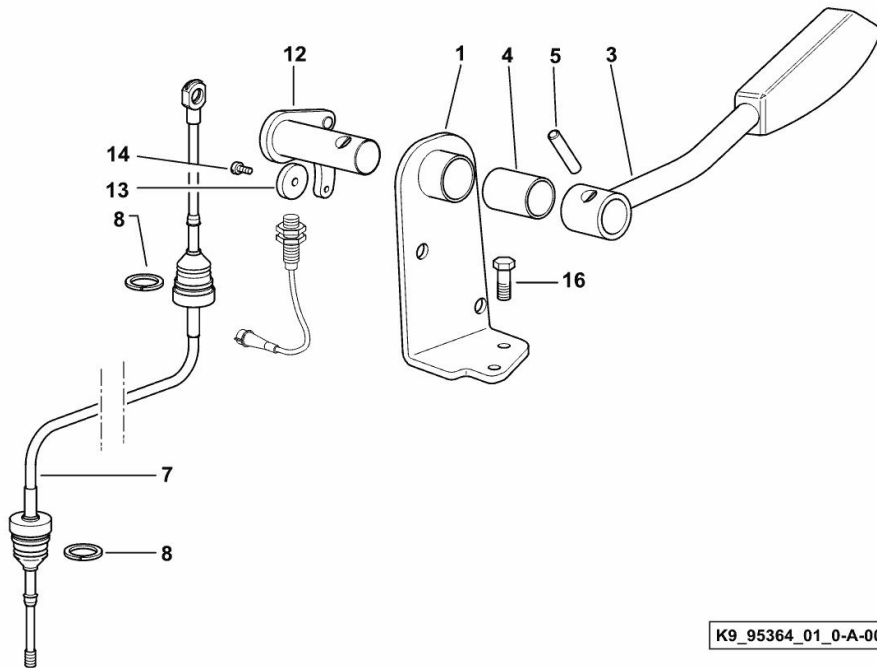
**SUPER-REDUCTION CONTROL**

Fig.	P/n	QTY	Name
------	-----	-----	------

**Notes:**

[AGROTRON M 650] 10019 <-

1	04429344.4	1	bearing block
3	04429606.4	1	lever
4	04413063	2	bushing
5	01144806	1	pin
7	0.016.2062.3	1	rod
8	04418159	2	circlip
12	04429855.4	1	lever
13	04365126	1	magnet
14	01105512	1	screw am 4x12 d84
16	01129113	2	screw m 8 x 30



K9\_95364\_01\_0-A-001

**Buy Now**



Our support email:

[ebooklibonline@outlook.com](mailto:ebooklibonline@outlook.com)