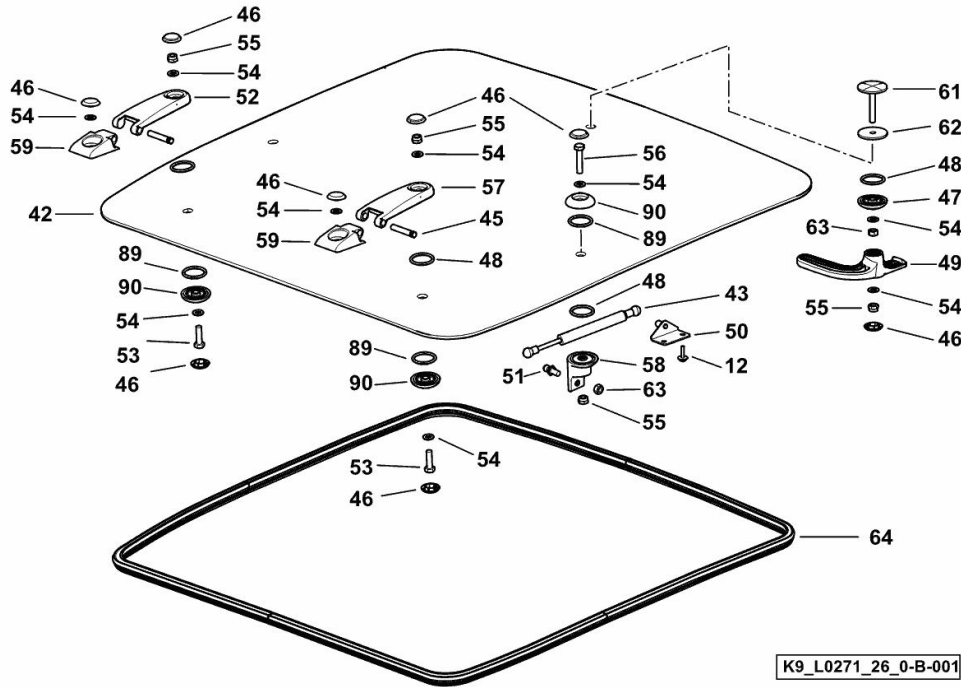


SKYLIGHT



K9_L0271_26_0-B-001

Fig.	P/n	QTY	Name
------	-----	-----	------

Notes:

[AGROTRON TTV 410]

12	2.0363.306.3	15	screw m 6x18
42	0.010.6476.0/10	1	window glass
43	04414159	2	shock absorber
45	2.1699.486.2	2	pin
46	04413793	11	cap
47	04411716	1	washer
48	2.1530.078.0	5	oil seal 29.74x3.53
49	0.010.6477.0	1	handle
50	0.010.7739.3	2	support
51	04399070	2	ball joint
52	0.010.7525.0	1	hinge dx/rh/re
53	2.0112.210.2	2	screw m 8 p.1.25 x 28
54	2.1310.004.2	10	flat washer 8.4x17
55	2.1120.105.2	9	self-locking nut m 8 p.1.25
56	2.0112.215.2	2	screw m 8 p.1.25 x 40
57	0.010.6479.0	1	hinge sx/lh/li
58	0.010.7738.0/10	2	support
59	0.010.6480.0	2	hinge
61	0.010.7736.2	1	screw
62	0.010.7737.0	1	gasket
63	2.1011.105.2	3	nut m 8 p.1.25
64	0.010.8352.0	1	gasket mm 2900
89	2.1499.197.0	4	gasket 16x44x3
90	04429423	4	washer

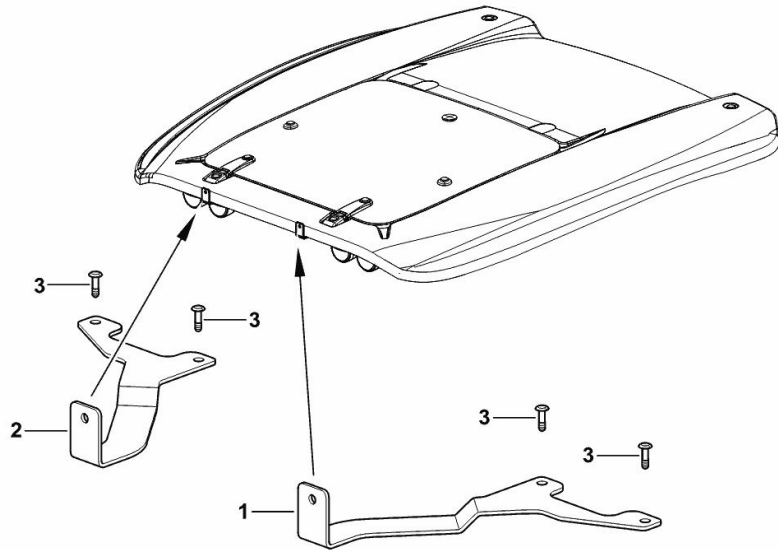
FRONT NUMBER PLATE HOLDER

Fig.	P/n	QTY	Name
------	-----	-----	------

Notes:

[AGROTRON TTV 410]

1	0.017.0126.0	1	bracket sx/lh/li
2	0.017.0143.0	1	bracket dx/rh/re
3	2.1856.307.0	4	rivet 4.8x12



K9_L0276_62_0-A-001

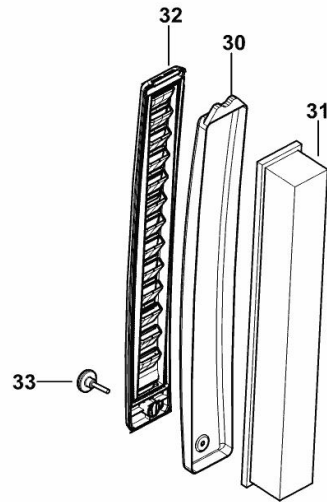
DRY AIR FILTER - AIR CONDITIONING UNIT

Fig.	P/n	QTY	Name
------	-----	-----	------

Notes:

[AGROTRON TTV 410]

30	0.017.2975.0	2	frame
31	0.017.2976.2/10	2	filter
32	0.017.2974.0/10	2	guard
33	04411229	2	screw



K9_S3186_20_0-B-001

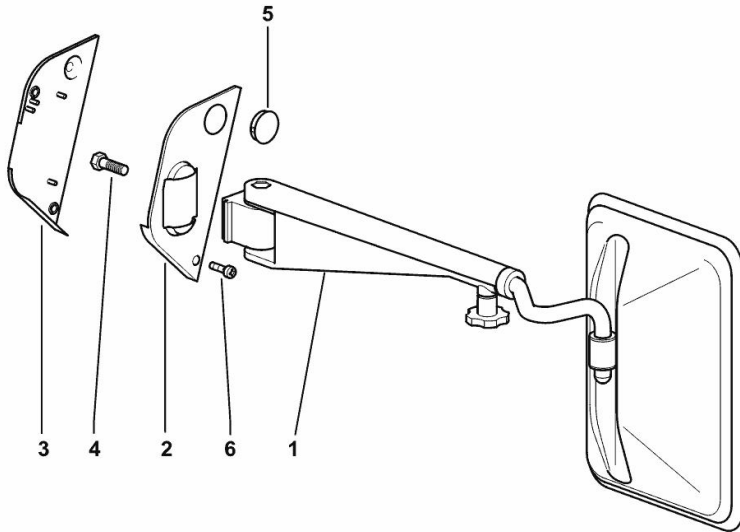
REARVIEW MIRROR - SX/LH/LI

Fig.	P/n	QTY	Name
------	-----	-----	------

Notes:

[AGROTRON TTV 410]

1	0.012.4393.4	1	rear view mirror sx/lh/li (10188 <-) ☞ 0.012.4393.4
1	0.020.7939.4	1	rear view mirror sx/lh/li ☞ 0.020.7939.4
2	04414195	1	cover sx/lh/li
3	04412583	1	cover sx/lh/li
4	2.0114.209.2	3	screw m 8 x 25
5	01180575	1	plug
6	2.0350.454.3	2	screw



K9_95071_05_0-A-001

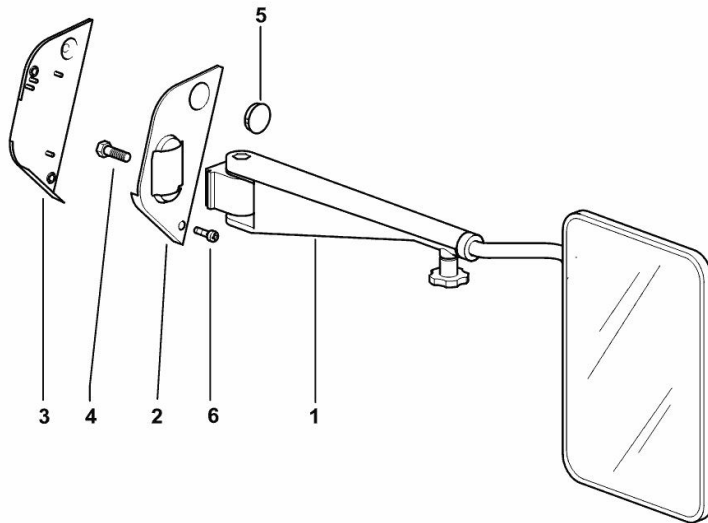
REARVIEW MIRROR - DX/RH/RE

Fig.	P/n	QTY	Name
------	-----	-----	------

Notes:

[AGROTRON TTV 410]

1	0.012.4392.4	1	rear view mirror dx/rh/re (10188 <-) ☞ 0.012.4392.4
1	0.020.7938.4	1	rear view mirror dx/rh/re ☞ 0.020.7938.4
2	04414194	1	cover dx/rh/re
3	04412584	1	cover dx/rh/re
4	2.0114.209.2	3	screw m 8 x 25
5	01180575	1	plug
6	2.0350.454.3	2	screw



K9_95071_07_0-A-001

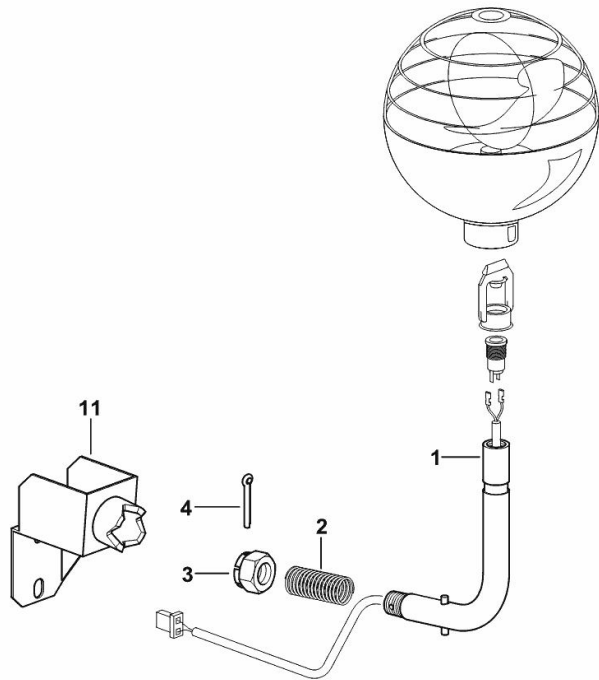
FLASHING LIGHT SUPPORT

Fig.	P/n	QTY	Name
------	-----	-----	------

Notes:

[AGROTRON TTV 410]

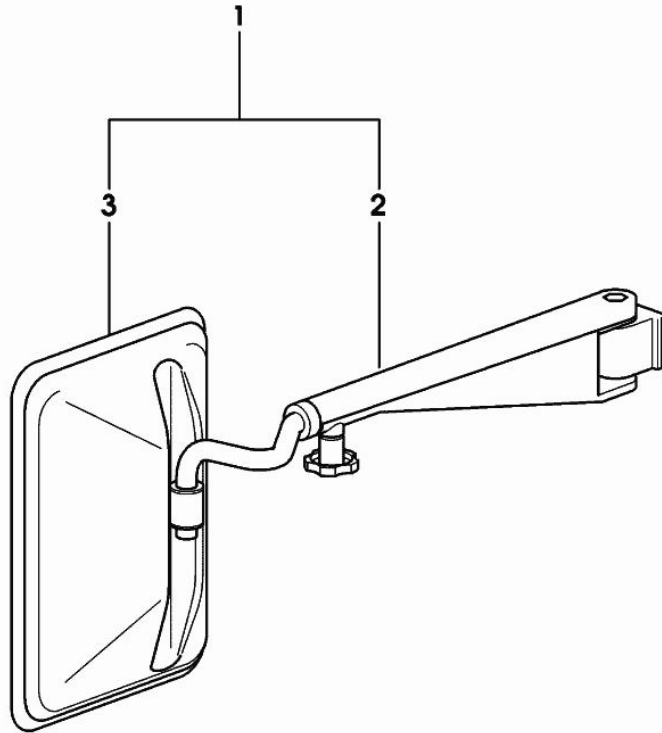
1	0.011.2768.2/20	1	tube
2	2.4019.684.2/10	1	spring
3	2.1019.140.2/10	1	nut
4	2.1690.514.2	1	split pin 5 x 40
11	0.011.4831.2/10	1	support



K9_B7484_05_0-A-001

REARVIEW MIRROR

Fig.	P/n	QTY	Name
1	0.012.4392.4	1	rear view mirror dx/rh/re
2	0.010.3563.2	1	rod
3	0.010.3564.0	1	rear view mirror



0_012_4392_4

Buy Now



Our support email:

ebooklibonline@outlook.com