

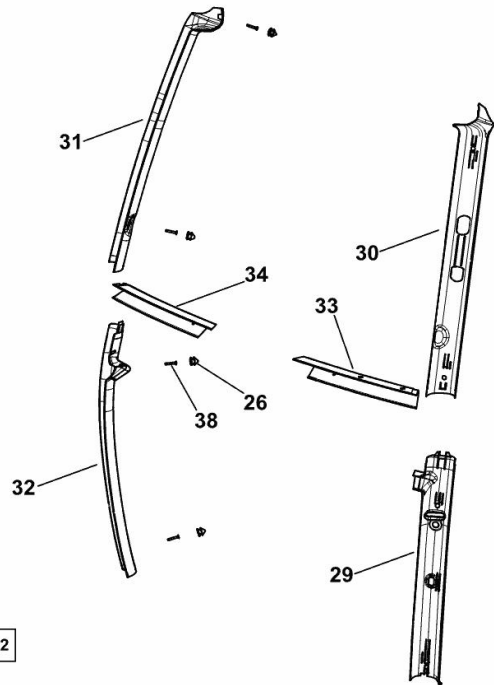
INTERNAL CAB LININGS SX/LH/LI - DX/RH/RE

Fig.	P/n	QTY	Name
------	-----	-----	------

Notes:

[AGROTRON TTV 430]

26	04419538	8	cap
29	0.016.4293.0	1	cover sx/lh/li
30	0.016.4287.0/20	1	cover sx/lh/li
31	0.016.4290.0/10	1	cover dx/rh/re
32	0.017.0363.0	1	cover dx/rh/re
33	0.016.4299.0	1	cover sx/lh/li
34	0.016.4298.0	1	cover dx/rh/re
38	2.0351.559.3	8	screw m 4.8x32



K9_R5171_20_0-A-002

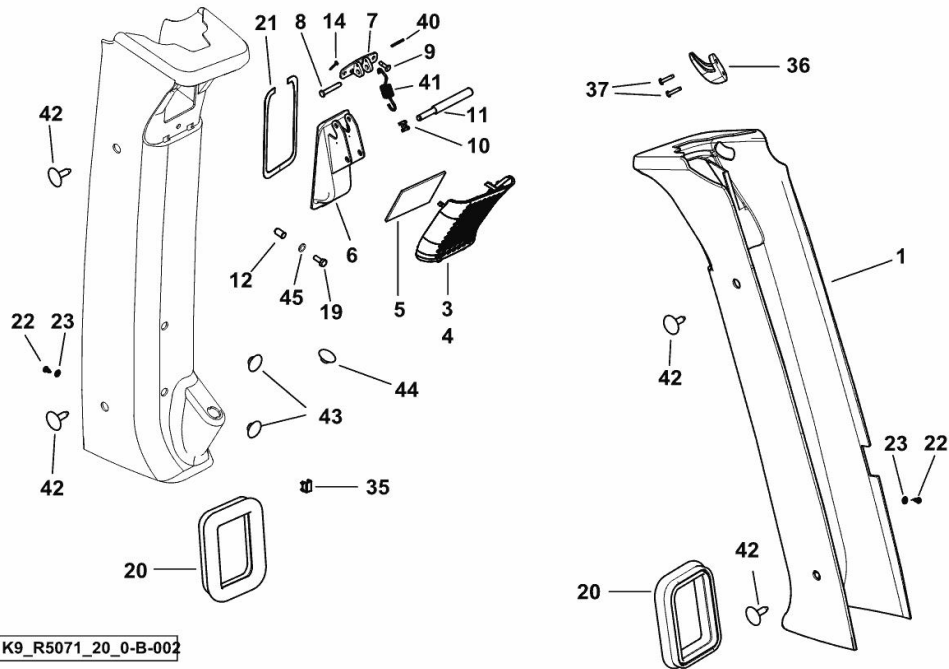
INTERNAL CAB LININGS SX/LH/LI - DX/RH/RE

Fig.	P/n	QTY	Name
------	-----	-----	------

Notes:

FOR TYPES W/ OPENABLE FRONT WINDSCREEN [AGROTRON TTV 430]

1	0.016.4301.0/20	1	lining sx/lh/li
3	0.016.4307.0	1	grille sx/lh/li
4	0.016.4305.0	1	grille dx/rh/re
5	0.011.3775.0	2	filter
6	0.010.9688.0/10	2	switch
7	0.010.9689.0/10	2	support
8	2.1671.111.2	2	pin 6x38
9	2.1856.307.0	4	rivet 4.8x12
10	2.1680.004.2	2	clip Ø 8
11	2.1699.523.2	2	pin
12	2.1142.010.2	2	insert m 6
14	2.1690.106.2	2	split pin 1.6x16
19	2.0330.407.2	2	screw m 6 p.1 x 20
20	0.011.4085.0/20	2	gasket mm 390
21	0.011.0057.0/10	2	gasket
22	2.0350.405.3	2	screw m 4.2 x 16
23	2.1310.001.2	2	flat washer 5.3 x 10
35	04418149/10	2	clip
36	0.007.6732.0	1	coat hanger
37	2.0350.255.3	2	screw m 3.5 x 16 -AB-
40	2.1630.111.0	2	roll pin 2.5x24
41	2.4049.216.2/10	2	spring
42	01175900	4	plug
43	04425759	2	cap
44	04413366	1	plug 20.6
45	2.1312.003.2	2	washer 6



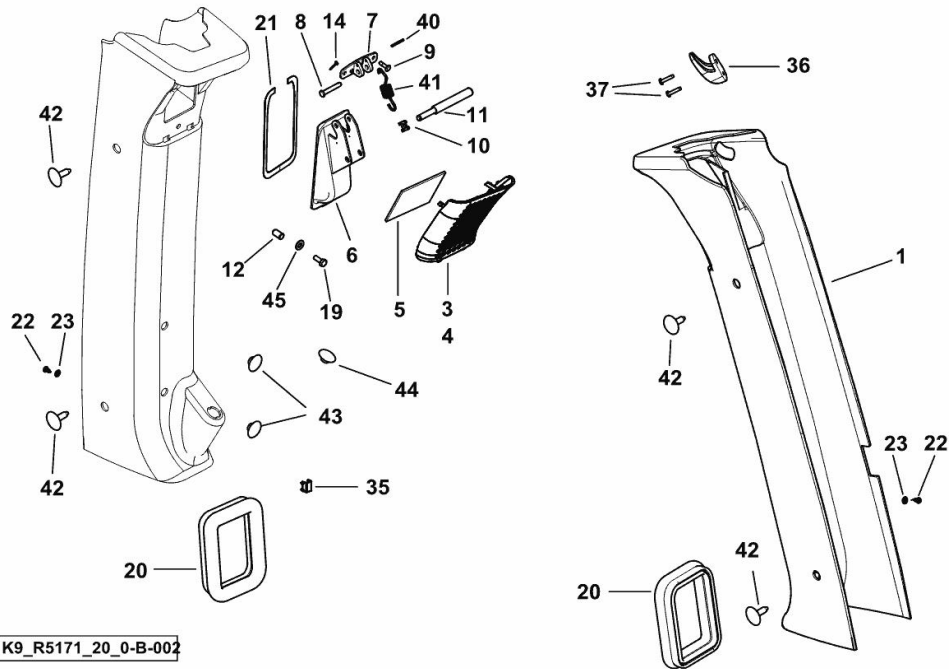
INTERNAL CAB LININGS SX/LH/LI - DX/RH/RE

Fig.	P/n	QTY	Name
------	-----	-----	------

Notes:

[AGROTRON TTV 430]

1	0.016.4301.0/20	1	lining sx/lh/li
3	0.016.4307.0	1	grille sx/lh/li
4	0.016.4305.0	1	grille dx/rh/re
5	0.011.3775.0	2	filter
6	0.010.9688.0/10	2	switch
7	0.010.9689.0/10	2	support
8	2.1671.111.2	2	pin 6x38
9	2.1856.307.0	4	rivet 4.8x12
10	2.1680.004.2	2	clip Ø 8
11	2.1699.523.2	2	pin
12	2.1142.010.2	2	insert m 6
14	2.1690.106.2	2	split pin 1.6x16
19	2.0330.407.2	2	screw m 6 p.1 x 20
20	0.011.4085.0/20	2	gasket mm 390
21	0.011.0057.0/10	2	gasket
22	2.0350.405.3	2	screw m 4.2 x 16
23	2.1310.001.2	2	flat washer 5.3 x 10
35	04418149/10	2	clip
36	0.007.6732.0	1	coat hanger
37	2.0350.255.3	2	screw m 3.5 x 16 -AB-
40	2.1630.111.0	2	roll pin 2.5x24
41	2.4049.216.2/10	2	spring
42	01175900	4	plug
43	04425759	2	cap
44	04413366	1	plug 20.6
45	2.1312.003.2	2	washer 6



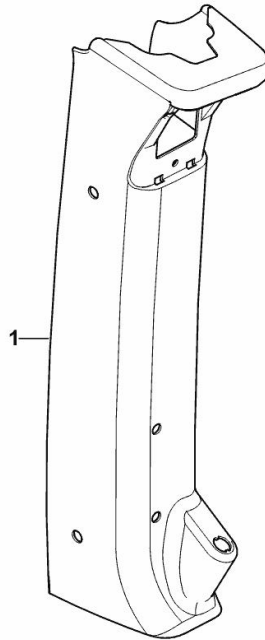
INTERNAL CAB LININGS - DX/RH/RE

Fig.	P/n	QTY	Name
------	-----	-----	------

Notes:

[AGROTRON TTV 430]

1	0.016.4300.0/20	1	lining dx/rh/re
---	-----------------	---	-----------------



K9_R5271_20_0-A-001

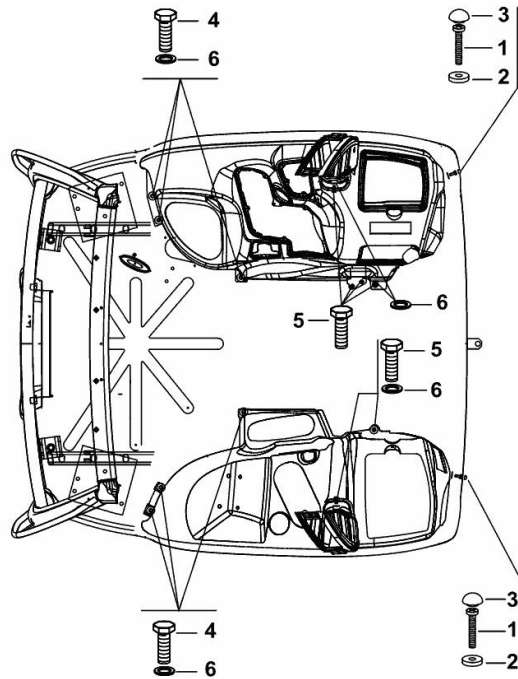
FIXINGS FOR CAB INTERIOR TRIM

Fig.	P/n	QTY	Name
------	-----	-----	------

Notes:

[AGROTRON TTV 430]

1	2.0342.207.6	2	screw m 6 p.1 x 25
2	2.1312.003.2	4	washer 6
3	04419538	2	cap
4	01171763	6	screw m 8 p.1.25 x 20
5	01129113	6	screw m 8 x 30
6	2.1312.004.2	10	washer 8x24x2



K9_J3371_69_0-A-001

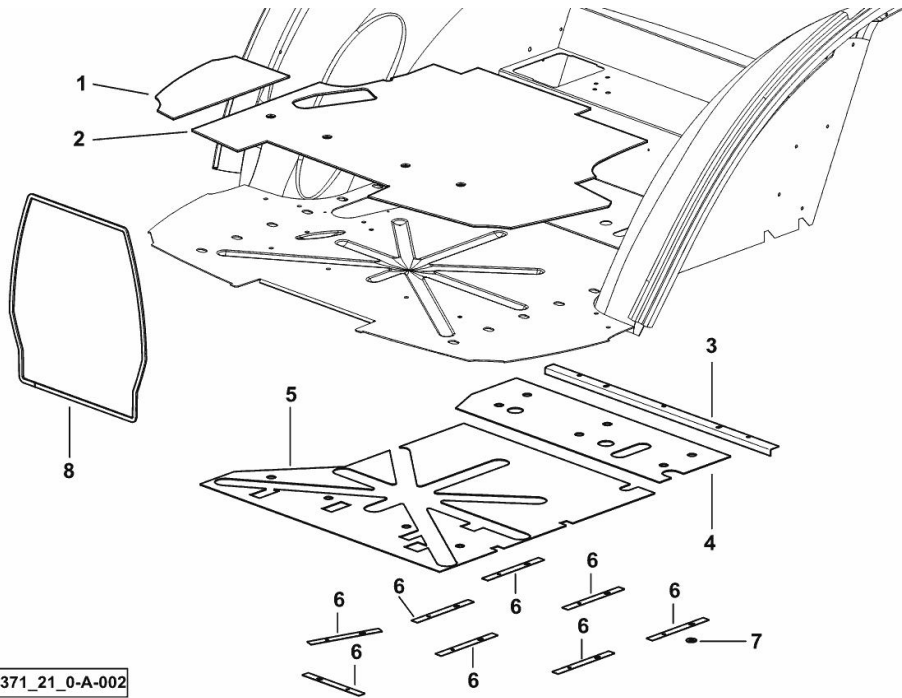
CAB SOUNDPROOF PANELS

Fig.	P/n	QTY	Name
------	-----	-----	------

Notes:

[AGROTRON TTV 430]

1	0.017.1085.0	1	sound deadening
2	0.017.1056.0/10	1	sound deadening
3	04451284	1	plate
4	0.021.8781.0	1	sound deadening
5	0.021.8779.0	1	sound deadening
6	04429905	8	shim
7	04422852	18	washer
8	0.017.1151.0	1	gasket



K9_L0371_21_0-A-002

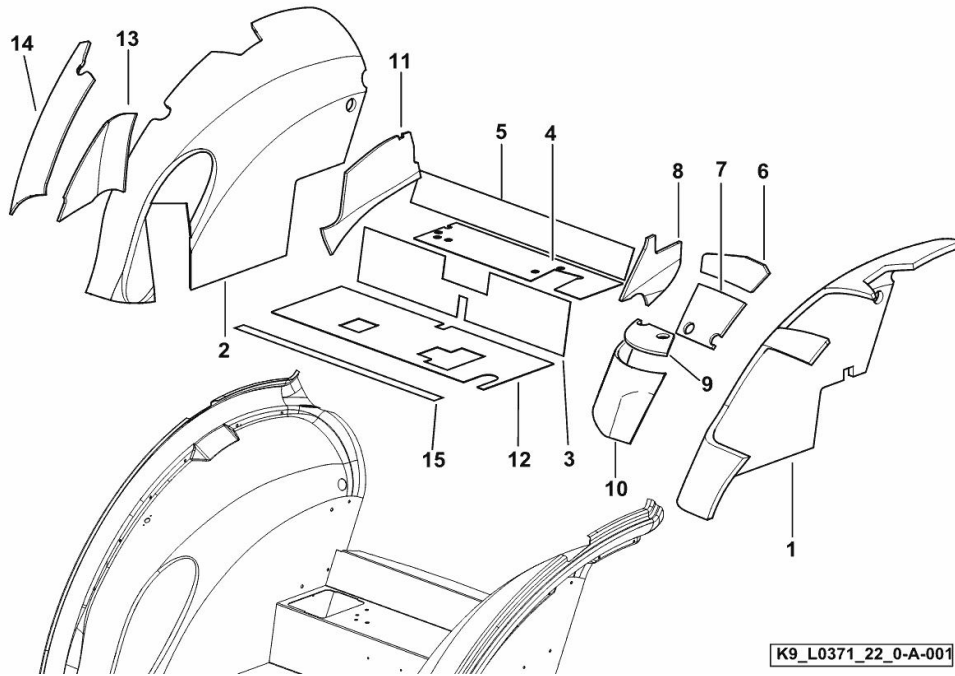
CAB SOUNDPROOF PANELS

Fig.	P/n	QTY	Name
------	-----	-----	------

Notes:

[AGROTRON TTV 430] 10508 <-

1	0.017.0056.0/30	1	sound deadening sx/lh/li
2	0.017.0059.0/20	1	sound deadening dx/rh/re
3	04439939/10	1	sound deadening
4	04439940/10	1	sound deadening
5	04439941/10	1	sound deadening
6	0.017.0079.0	1	sound deadening
7	0.017.0065.0	1	sound deadening sx/lh/li
8	0.017.0078.0	1	sound deadening sx/lh/li
9	0.017.0064.0	1	sound deadening sx/lh/li
10	0.017.0063.0	1	sound deadening sx/lh/li
11	0.017.0075.0	1	sound deadening
12	04439938/10	1	sound deadening
13	0.017.0039.0	1	sound deadening
14	0.017.0069.0	1	sound deadening dx/rh/re
15	01388899	0.5	gasket



Buy Now



Our support email:

ebooklibonline@outlook.com