



**HOOD - SUPPORTS**

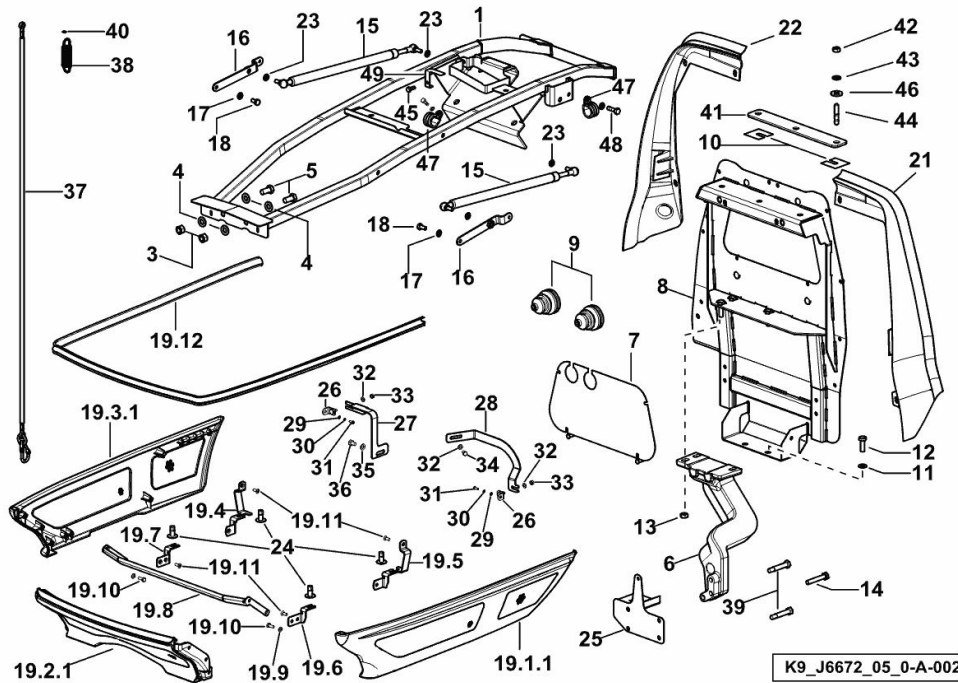


Fig.	P/n	QTY	Name
------	-----	-----	------

**Notes:**

[AGROTRON TTV 620] -> 10216 - 10680 <-

1	0.015.7445.3/60	1	carrier ( 10587 <- )
1	0.015.7445.3/70	1	carrier ( -> 10582 )
3	2.1011.107.2	2	nut m 12 p.1.75
4	2.1310.007.3	4	flat washer 13 x 24
5	2.0114.409.2	2	screw m 12 x 25
6	0.015.6797.0/10	1	support
7	04452975.3	1	cover
8	0.015.7678.4/30	1	division
9	06547602	2	bellows
10	04452747	2	spacer
11	2.1310.006.3	2	flat washer 10.5x21x2
12	2.0112.311.2	2	screw m 10 p.1.5 x 30
13	2.1011.106.3	3	nut m 10
14	2.0112.321.2	1	screw m 10 p.1.5 x 60
15	0.016.5149.4	2	shock absorber
16	0.015.8038.3/20	2	support
17	2.1310.004.2	2	flat washer 8.4x17
18	2.0112.205.2	2	screw m 8 p.1.25 x 16
19.1.1	0.015.8574.3/10	1	lining sx/lh/li
19.2.1	0.015.8577.0	1	lining
19.3.1	0.015.8576.3/10	1	lining dx/rh/re
19.4	0.015.8526.0/10	1	bracket sx/lh/li
19.5	0.015.8527.0/10	1	bracket dx/rh/re
19.6	0.015.8567.0/10	1	bracket sx/lh/li
19.7	0.015.8528.0/10	1	bracket dx/rh/re
19.8	0.015.8524.0/10	1	chassis frame
19.9	2.1310.002.2	2	flat washer 6.4x12.5
19.10	2.0112.005.2	2	screw m 6 p.1 x 16
19.11	2.0322.406.6	12	screw m 6 p.1.0 x 16
19.12	0.015.9001.0	1	gasket
21	0.015.8159.4/10	1	frame sx/lh/li
22	0.015.8161.4/20	1	frame dx/rh/re
23	2.1310.004.2	4	flat washer 8.4x17
24	2.1039.509.2/10	4	nut
25	0.015.2530.2	1	support
26	0.016.2093.3/10	2	bracket
27	0.016.3128.0	1	bracket dx/rh/re
28	0.016.3134.0	1	bracket sx/lh/li
29	2.1310.028.2	2	flat washer
30	2.1470.052.2	2	lock washer 4
31	2.0332.204.2	2	screw 4 x 12

**HOOD - SUPPORTS**

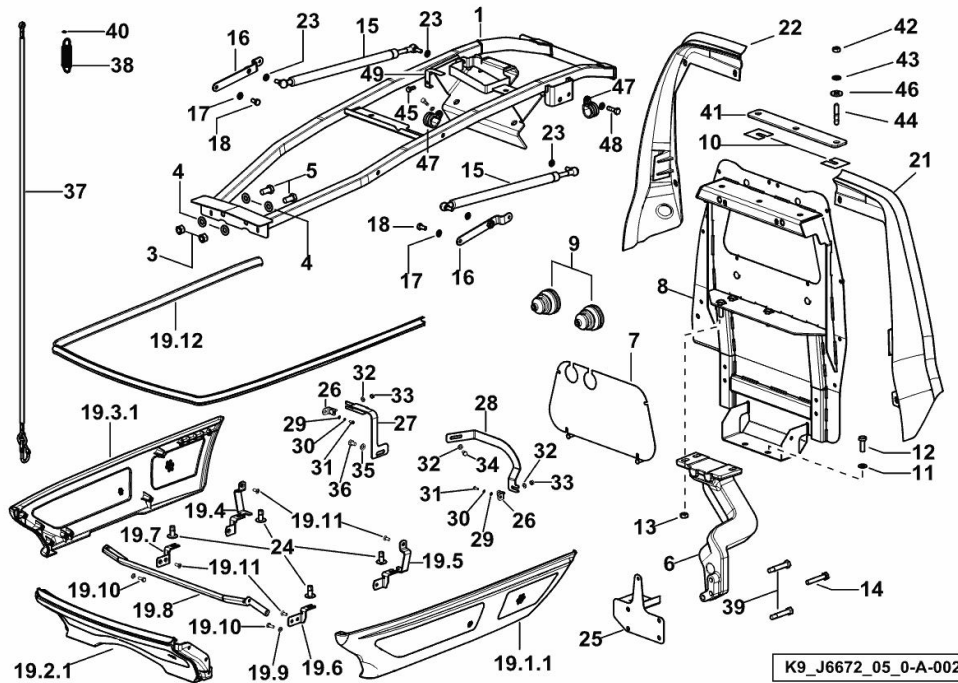


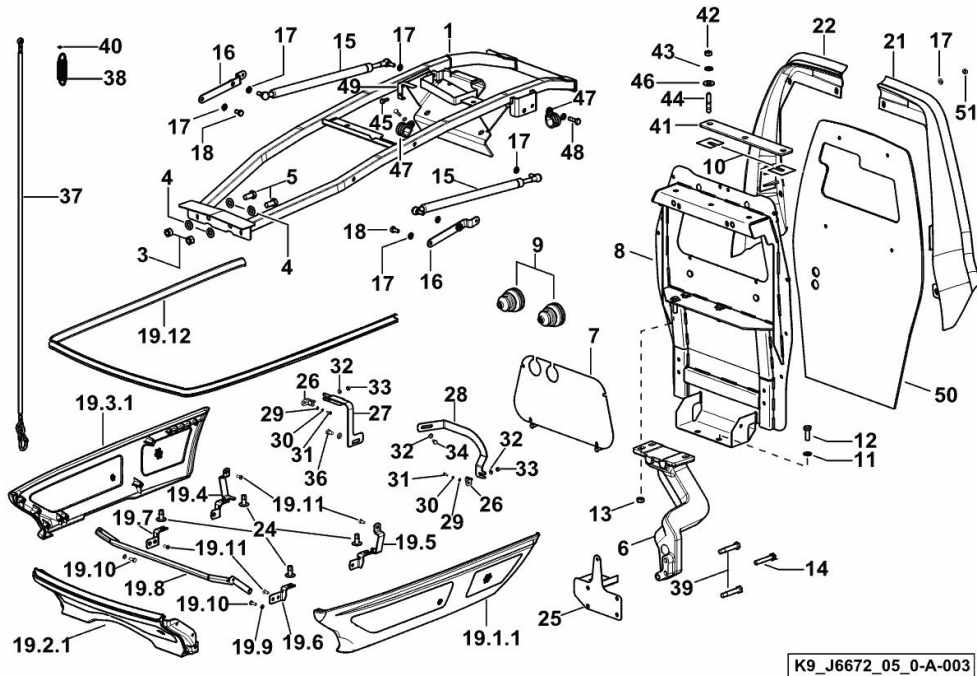
Fig.	P/n	QTY	Name
32	2.1310.002.2	5	flat washer 6.4x12.5
33	2.1011.103.2	2	nut m 6 p.1
34	2.0112.003.2	1	screw m 6 p.1 x 12
35	2.1310.004.2	1	flat washer 8.4x17
36	2.0114.203.2	1	screw m 8 x 12
37	0.016.3391.4/10	1	rope
38	04431563	1	spring
39	2.0119.287.6	2	screw m 10 x 60
40	2.6999.049.0	1	clip
41	0.016.1129.0/10	1	plate
42	2.1011.106.2	3	nut m 10 p.1.5
43	2.1475.203.2	3	spring washer 10
44	2.0422.311.2	3	stud bolt m 10 x 40
45	2.0112.011.2	1	screw m 6 p.1x30
46	2.1549.647.2	3	spacer 10.1x26x6
47	2.6839.052.0	2	clamp 30/20
48	2.0112.007.2	2	screw m 6 p.1 x 20
49	0.018.2137.0	1	bracket

**HOOD - SUPPORTS**

Fig.	P/n	QTY	Name
------	-----	-----	------

**Notes:**

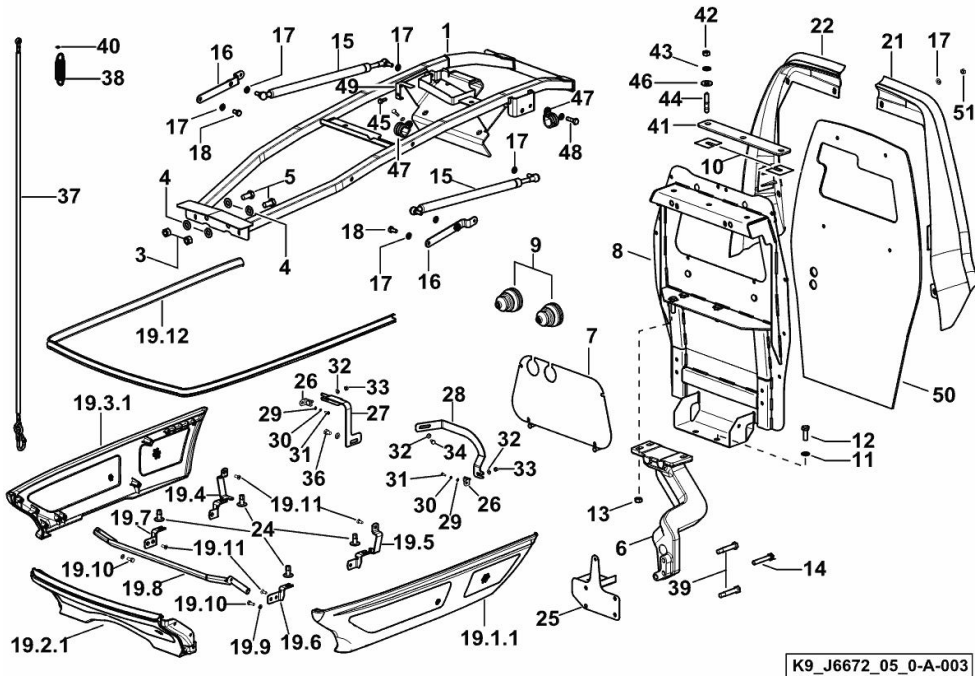
[AGROTRON TTV 620] -> 10684 - 10975 <-



1	0.015.7445.3/70	1	carrier
3	2.1011.107.2	2	nut m 12 p.1.75
4	2.1310.007.3	4	flat washer 13 x 24
5	2.0114.409.2	2	screw m 12 x 25
6	0.015.6797.0/10	1	support
7	04452975.3	1	cover
8	0.015.7678.4/40	1	division
9	06547602	2	bellows
10	04452747	2	spacer
11	2.1310.006.3	2	flat washer 10.5x21x2
12	2.0112.311.2	2	screw m 10 p.1.5 x 30
13	2.1011.106.3	3	nut m 10
14	2.0112.321.2	1	screw m 10 p.1.5 x 60
15	0.016.5149.4	2	shock absorber
16	0.015.8038.3/20	2	support
17	2.1310.004.2	11	flat washer 8.4x17
18	2.0112.205.2	2	screw m 8 p.1.25 x 16
19.1.1	0.015.8574.3/10	1	lining sx/lh/li
19.2.1	0.015.8577.0	1	lining
19.3.1	0.015.8576.3/10	1	lining dx/rh/re
19.4	0.015.8526.0/10	1	bracket sx/lh/li
19.5	0.015.8527.0/10	1	bracket dx/rh/re
19.6	0.015.8567.0/10	1	bracket sx/lh/li
19.7	0.015.8528.0/10	1	bracket dx/rh/re
19.8	0.015.8524.0/10	1	chassis frame
19.9	2.1310.002.2	2	flat washer 6.4x12.5
19.10	2.0112.005.2	2	screw m 6 p.1 x 16
19.11	2.0322.406.6	12	screw m 6 p.1.0 x 16
19.12	0.015.9001.0	1	gasket
21	0.015.8159.4/10	1	frame sx/lh/li
22	0.015.8161.4/20	1	frame dx/rh/re
24	2.1039.509.2/10	4	nut
25	0.015.2530.2	1	support
26	0.016.2093.3/10	2	bracket
27	0.016.3128.0	1	bracket dx/rh/re
28	0.016.3134.0	1	bracket sx/lh/li
29	2.1310.028.2	2	flat washer
30	2.1470.052.2	2	lock washer 4
31	2.0332.204.2	2	screw 4 x 12
32	2.1310.002.2	5	flat washer 6.4x12.5
33	2.1011.103.2	2	nut m 6 p.1

**HOOD - SUPPORTS**

Fig.	P/n	QTY	Name
34	2.0112.003.2	1	screw m 6 p.1 x 12
36	2.0114.203.2	1	screw m 8 x 12
37	0.016.3391.4/10	1	rope
38	04431563	1	spring
39	2.0119.287.6	2	screw m 10 x 60
40	2.6999.049.0	1	clip
41	0.016.1129.0/10	1	plate
42	2.1011.106.2	3	nut m 10 p.1.5
43	2.1475.203.2	3	spring washer 10
44	2.0422.311.2	3	stud bolt m 10 x 40
45	2.0112.011.2	1	screw m 6 p.1x30
46	2.1549.647.2	3	spacer 10.1x26x6
47	2.6839.052.0	2	clamp 30/20
48	2.0112.007.2	2	screw m 6 p.1 x 20
49	0.018.2137.0	1	bracket
50	0.016.0982.0	1	panel
51	2.1011.105.2	4	nut m 8 p.1.25

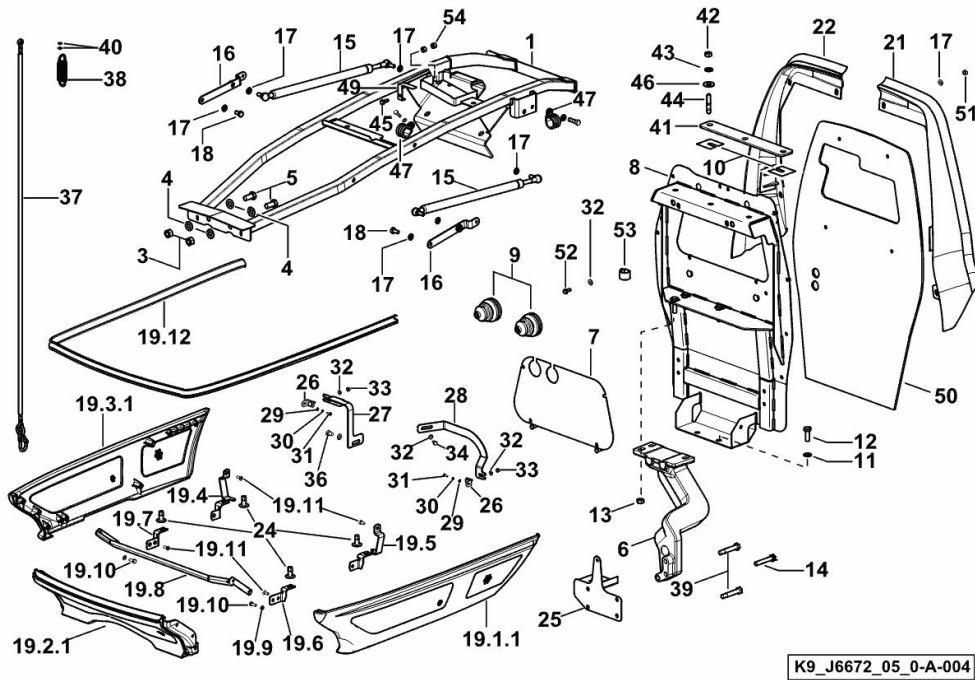


**HOOD - SUPPORTS**

Fig.	P/n	QTY	Name
------	-----	-----	------

**Notes:**

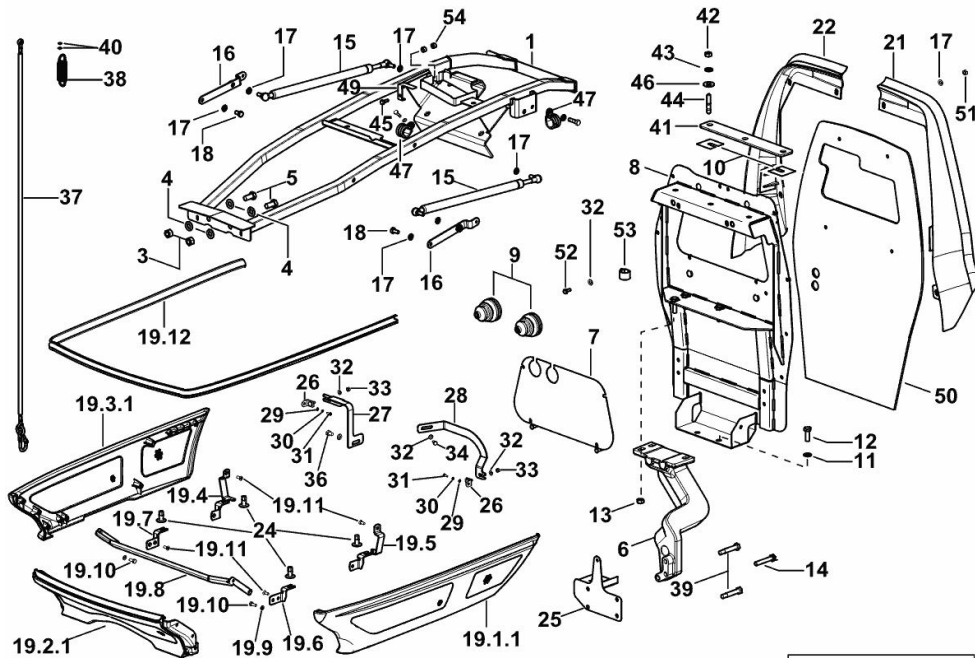
- "STANDARD" EQUIPMENT PACKAGE [AGROTRON TTV 620] -> 11305 [AGROTRON TTV 620] -> 10976 - 11040 <-



1	0.015.7445.3/70	1	carrier
3	2.1011.107.2	2	nut m 12 p.1.75
4	2.1310.007.3	4	flat washer 13 x 24
5	2.0114.413.2	2	screw m 12 x 35
6	0.015.6797.0/10	1	support
7	04452975.3	1	cover
8	0.015.7678.4/50	1	division
9	06547602	2	bellows
10	04452747	2	spacer
11	2.1310.006.3	2	flat washer 10.5x21x2
12	2.0112.311.2	2	screw m 10 p.1.5 x 30
13	2.1011.106.3	3	nut m 10
14	2.0112.321.2	1	screw m 10 p.1.5 x 60
15	0.016.5149.4	2	shock absorber
16	0.015.8038.3/20	2	support
17	2.1310.004.2	11	flat washer 8.4x17
18	2.0112.205.2	2	screw m 8 p.1.25 x 16
19.1.1	0.015.8574.3/10	1	lining sx/lh/li
19.2.1	0.015.8577.0	1	lining
19.3.1	0.015.8576.3/10	1	lining dx/rh/re
19.4	0.015.8526.0/10	1	bracket sx/lh/li
19.5	0.015.8527.0/10	1	bracket dx/rh/re
19.6	0.015.8567.0/10	1	bracket sx/lh/li
19.7	0.015.8528.0/10	1	bracket dx/rh/re
19.8	0.015.8524.0/10	1	chassis frame
19.9	2.1310.002.2	2	flat washer 6.4x12.5
19.10	2.0112.005.2	2	screw m 6 p.1 x 16
19.11	2.0322.406.6	12	screw m 6 p.1.0 x 16
19.12	0.015.9001.0	1	gasket
21	0.015.8159.4/10	1	frame sx/lh/li
22	0.015.8161.4/20	1	frame dx/rh/re
24	2.1039.509.2/10	4	nut
25	0.015.2530.2	1	support
26	0.016.2093.3/10	2	bracket
27	0.016.3128.0	1	bracket dx/rh/re
28	0.016.3134.0	1	bracket sx/lh/li
29	2.1310.028.2	2	flat washer
30	2.1470.052.2	2	lock washer 4
31	2.0332.204.2	2	screw 4 x 12
32	2.1310.002.2	6	flat washer 6.4x12.5

**HOOD - SUPPORTS**

Fig.	P/n	QTY	Name
33	2.1011.103.2	2	nut m 6 p.1
34	2.0112.003.2	1	screw m 6 p.1 x 12
36	2.0114.203.2	1	screw m 8 x 12
37	0.016.3391.4/10	1	rope
38	04431563	1	spring
39	2.0119.287.6	2	screw m 10 x 60
40	2.6999.049.0	2	clip
41	0.016.1129.0/10	1	plate
42	2.1011.106.2	3	nut m 10 p.1.5
43	2.1475.203.2	3	spring washer 10
44	2.0422.311.2	3	stud bolt m 10 x 40
45	2.0112.011.2	1	screw m 6 p.1x30
46	2.1549.647.2	3	spacer 10.1x26x6
47	2.6839.052.0	2	clamp 30/20
49	0.018.2137.0	1	bracket
50	0.016.0982.0	1	panel
51	2.1011.105.2	4	nut m 8 p.1.25
52	2.0112.005.2	1	screw m 6 p.1 x 16
53	01173219	1	clamp
54	2.1549.051.2	2	spacer 7x12x7.5



K9\_J6672\_05\_0-A-004

**Buy Now**



Our support email:

[ebooklibonline@outlook.com](mailto:ebooklibonline@outlook.com)