

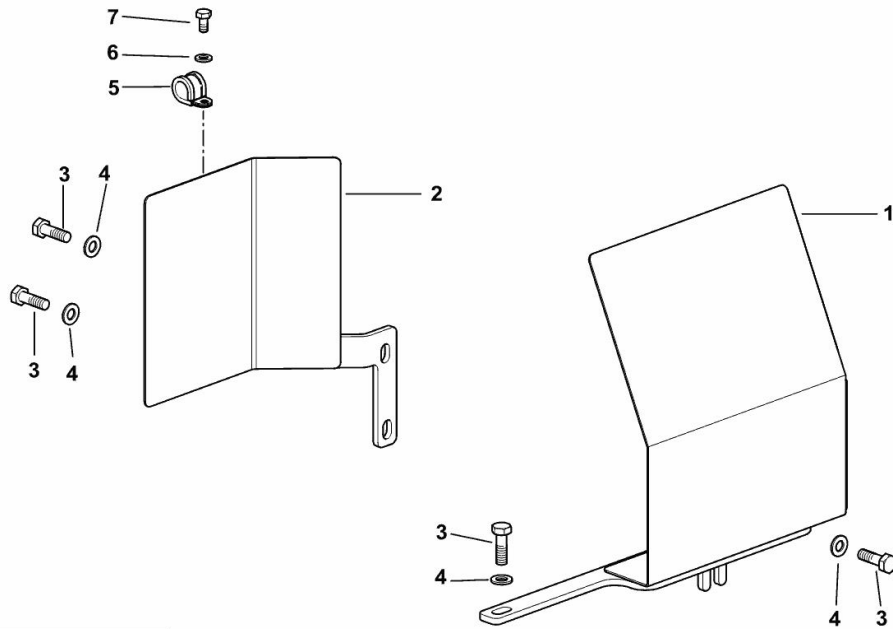
**FAN BELT GUARD**

Fig.	P/n	QTY	Name
------	-----	-----	------

**Notes:**

[AGROTRON TTV 630 -> 10001]

1	0.016.5082.3/40	1	grille sx/lh/li
2	0.016.5092.3/30	1	grille dx/rh/re
3	2.0112.209.2	4	screw m 8 p 1.25 x 25
4	2.1310.004.2	4	flat washer 8.4x17
5	2.6839.055.0	1	clamp Ø 11 / 20
6	2.1310.002.2	1	flat washer 6.4x12.5
7	2.0112.003.2	1	screw m 6 p.1 x 12



K9\_L0376\_01\_0-A-001

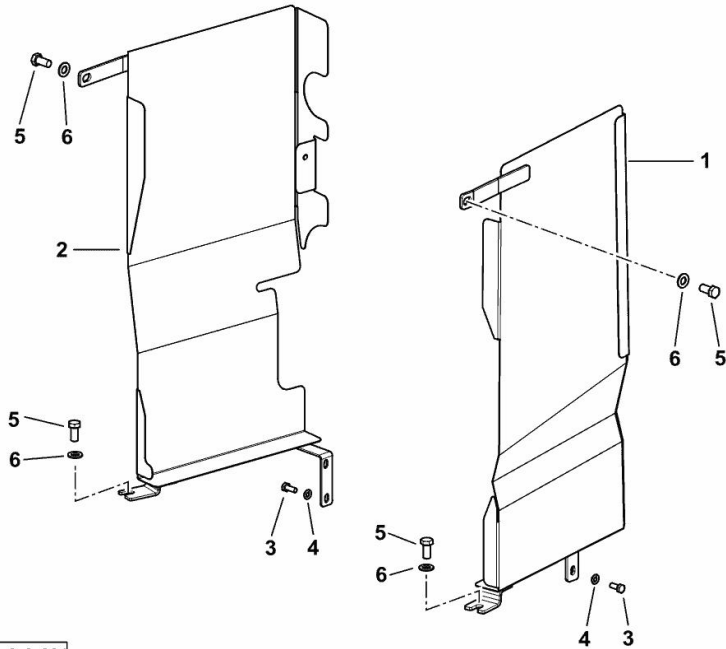
**FAN BELT GUARD**

Fig.	P/n	QTY	Name
------	-----	-----	------

**Notes:**

- EXPORT U.S.A. [AGROTRON TTV 630 -> 10001]

1	0.016.5210.2	1	guard sx/lh/li
2	0.016.5212.2	1	guard dx/rh/re
3	2.0114.207.2	4	screw m 8 p.1.25 x 20
4	2.1310.004.2	4	flat washer 8.4x17
5	2.0114.409.2	4	screw m 12 x 25
6	2.1310.007.2	4	flat washer 13 x 24



K9\_L0376\_02\_0-A-001

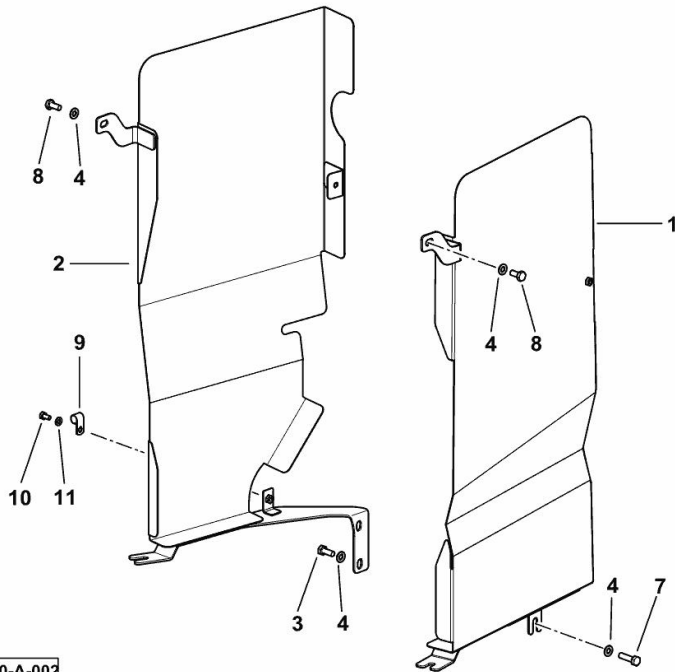
**FAN BELT GUARD**

Fig.	P/n	QTY	Name
------	-----	-----	------

**Notes:**

- EXPORT U.S.A. [AGROTRON TTV 630 -> 10001] -> 10228 - 10593 <-

1	0.016.5210.3/20	1	grille
2	0.016.5212.3/20	1	grille
3	2.0114.207.2	2	screw m 8 p.1.25 x 20
4	2.1310.004.2	5	flat washer 8.4x17
7	2.0122.211.2	1	screw m 8 p.1x30
8	2.0112.206.2	2	screw m 8 p.1.25 x 18
9	2.6839.055.0	1	clamp Ø 11 / 20
10	2.0112.003.2	1	screw m 6 p.1 x 12
11	2.1310.002.2	1	flat washer 6.4x12.5



K9\_L0376\_02\_0-A-002

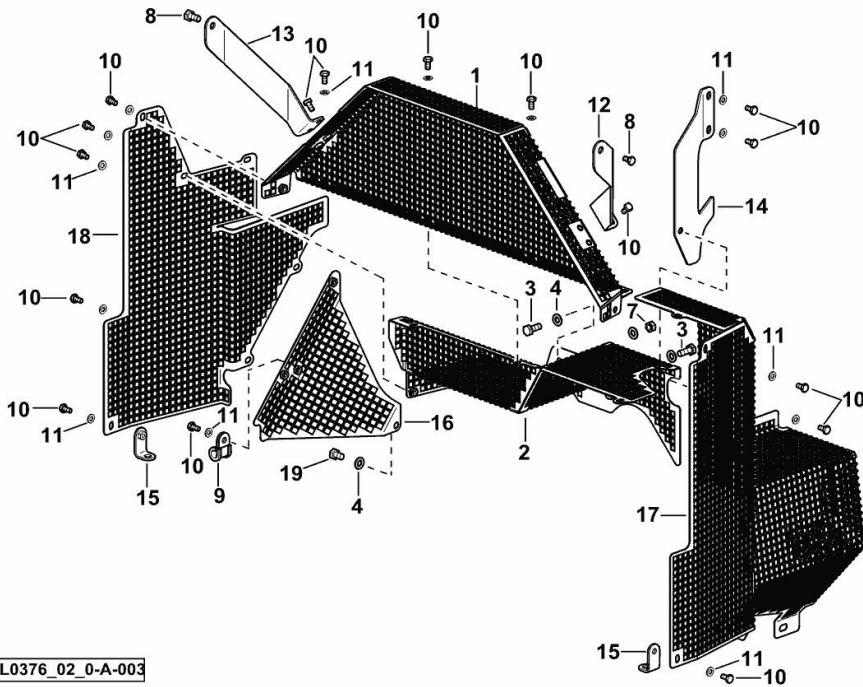
**FAN BELT GUARD**

Fig.	P/n	QTY	Name
------	-----	-----	------

**Notes:**

- EXPORT U.S.A. [AGROTRON TTV 630 -> 10001] -> 10975

1	0.018.0857.3	1	grille
2	0.018.0858.3/10	1	grille
3	2.0114.207.2	2	screw m 8 p.1.25 x 20
4	2.1310.004.2	4	flat washer 8.4x17
7	2.1011.105.2	1	nut m 8 p.1.25
8	2.0112.205.2	2	screw m 8 p.1.25 x 16
9	2.6839.055.0	1	clamp Ø 11 / 20
10	2.0112.003.2	20	screw m 6 p.1 x 12
11	2.1310.002.2	16	flat washer 6.4x12.5
12	0.018.0625.0	1	bracket
13	0.018.0627.0	1	bracket
14	0.018.0860.3	1	bracket
15	0.018.0861.3	2	bracket
16	0.018.0859.3	1	grille
17	0.018.0862.3	1	grille
18	0.018.0863.3/10	1	grille
19	2.0112.203.2	1	screw m 8 p.1.25 x 12



K9\_L0376\_02\_0-A-003

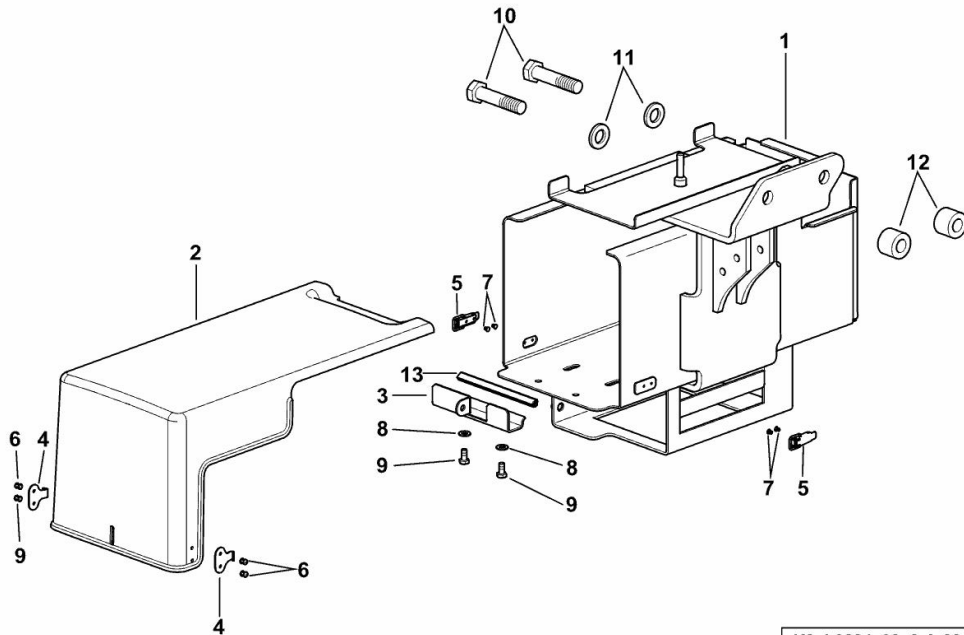
**BATTERY SUPPORT**

Fig.	P/n	QTY	Name
------	-----	-----	------

**Notes:**

[AGROTRON TTV 630 -> 10001]

1	0.016.2605.4/30	1	battery support ( 11282 <- )
1	0.016.2605.4/50	1	battery support
2	0.016.1630.0	1	cover
3	0.015.2140.3/10	1	bracket
4	0.015.2116.0	2	hook
5	0.014.7214.0	2	closure
6	2.1856.004.0	4	rivet 4
7	2.1899.090.0	4	rivet 3x8
8	2.1310.004.3	2	washer 8.4x17
9	2.0114.205.2	2	screw m 8 p.1.25 x 16
10	2.0399.302.2	2	screw m 20 p.2x90
11	2.1475.108.2	2	spring washer 20
12	04427061	2	bushing 20.5x40x30
13	0.018.0981.0	1	gasket



K9\_L0284\_09\_0-A-001

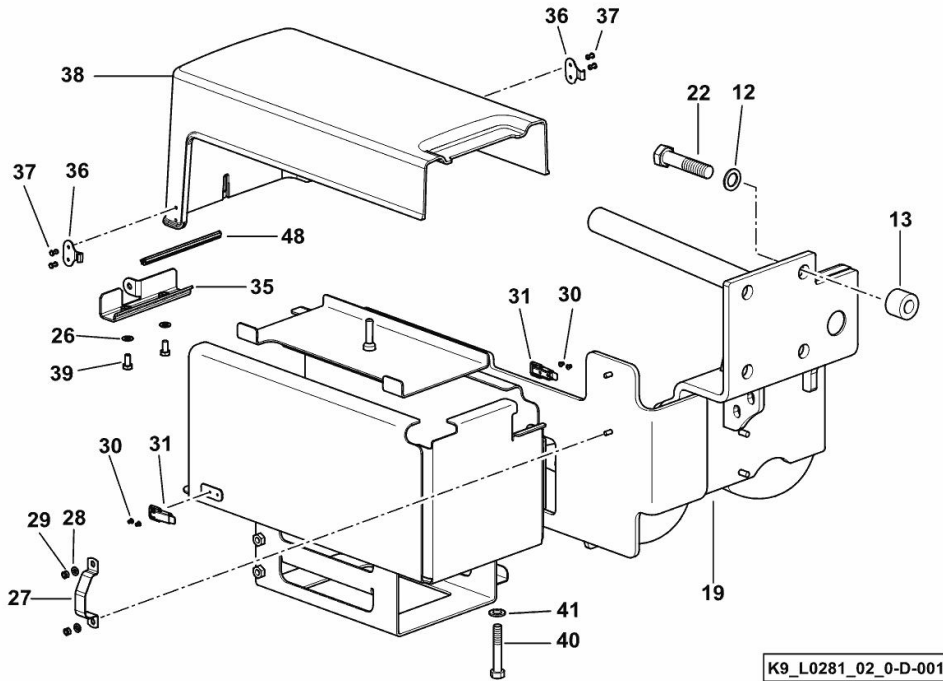
**BATTERY SUPPORT**

Fig.	P/n	QTY	Name
------	-----	-----	------

**Notes:**

VERSION WITH 2 FUEL TANKS [AGROTRON TTV 630 -> 10001]

12	2.1475.108.2	8	spring washer 20
13	04427061	8	bushing 20.5x40x30
19	0.016.5570.3/30	1	support
22	2.0399.302.2	4	screw m 20 p.2x90
26	2.1310.004.2	4	flat washer 8.4x17
27	0.016.2133.0	1	link
28	2.1310.002.2	3	flat washer 6.4x12.5
29	2.1011.103.2	2	nut m 6 p.1
30	2.1899.090.0	4	rivet 3x8
31	0.014.7214.0	2	closure
35	0.015.2140.3/10	1	bracket
36	0.015.2116.0	2	hook
37	2.1856.004.0	4	rivet 4
38	0.016.2899.0	1	hood
39	2.0114.205.2	3	screw m 8 p.1.25 x 16
40	2.0112.424.2	1	screw m 12 p.1.75x75
41	2.1310.007.2	1	flat washer 13 x 24
48	0.018.0981.0	1	gasket



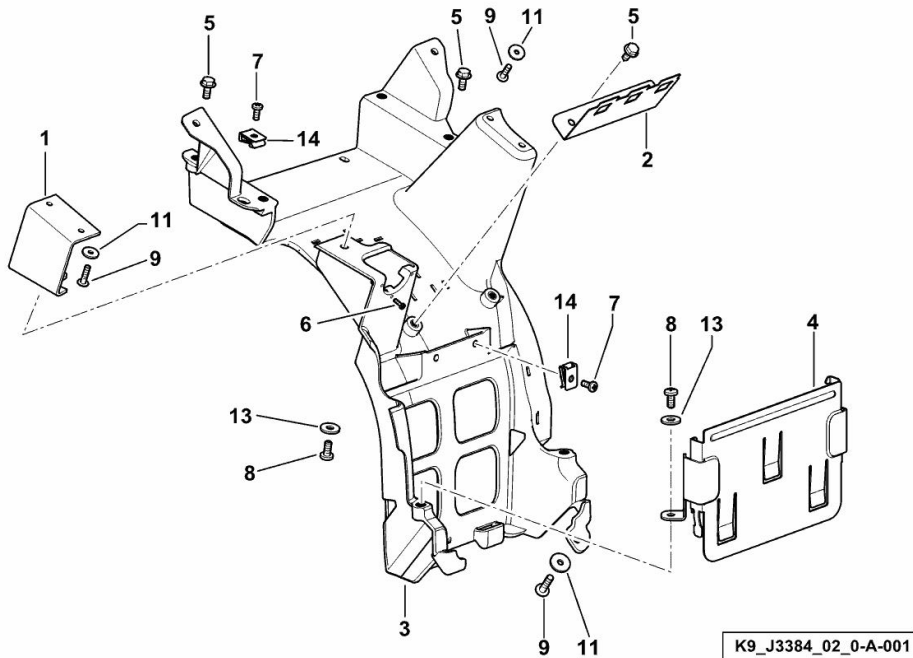
**SUPPORT FOR FUSE BOX AND CONTROL UNITS**

Fig.	P/n	QTY	Name
------	-----	-----	------

**Notes:**

[AGROTRON TTV 630 -> 10001] 10756 <-

1	0.015.3701.3/10	1	bracket
2	0.015.3718.0	1	support
3	0.015.3747.4/20	1	support
4	0.015.3748.3/10	1	bracket
5	2.0129.065.0	6	screw m 6 x 14
6	2.0332.103.2	3	screw m 3x10
7	2.0332.304.2	3	screw m 5 p.0.8 x 12
8	2.0332.405.2	3	screw m 6 x 14
9	04412976	7	screw 4.8x19
11	2.1312.002.2	7	washer 5
13	2.1312.003.2	3	washer 6
14	2.6999.064.6	3	special nut m 6



K9\_J3384\_02\_0-A-001

**Buy Now**



Our support email:

[ebooklibonline@outlook.com](mailto:ebooklibonline@outlook.com)