

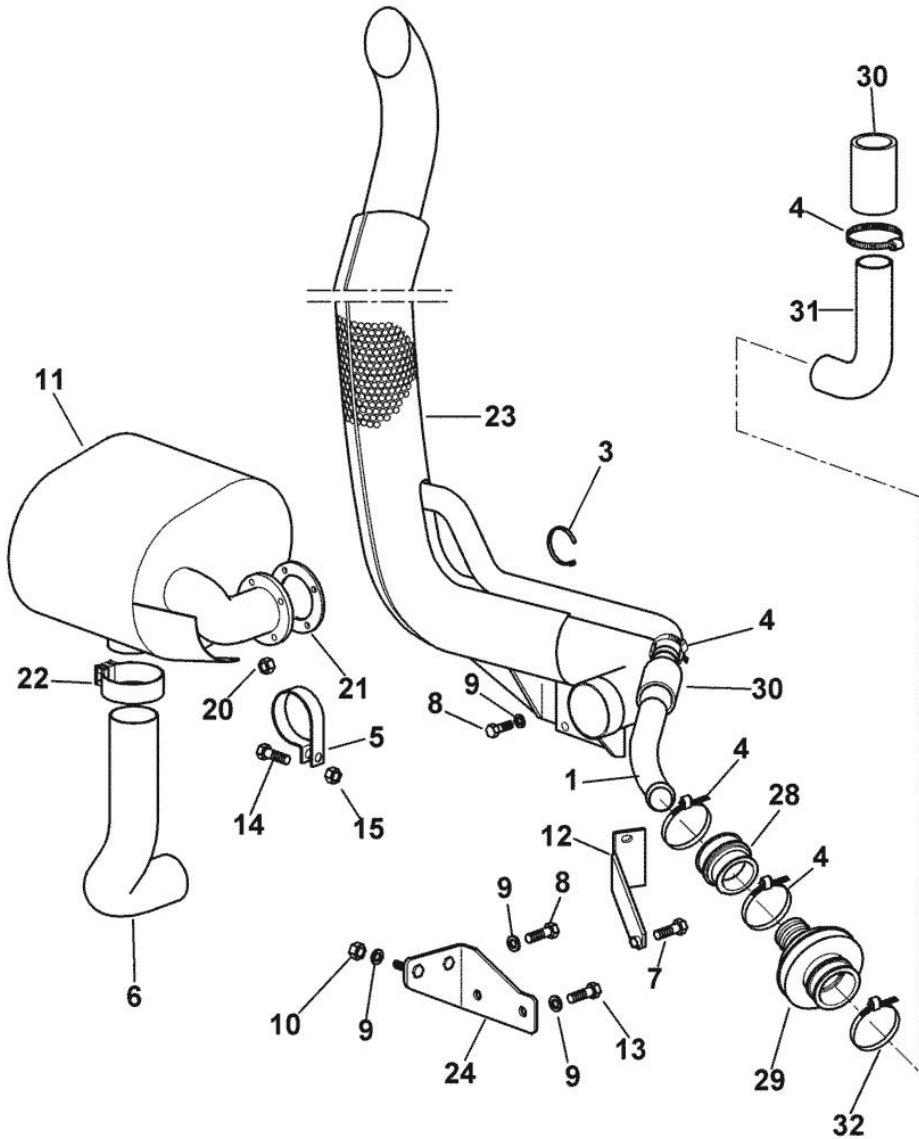
Section: ENGINE

**EXHAUST SILENCER**

Fig.	P/n	QTY	Name
------	-----	-----	------

Notes:  
[Agrotron TTV-1145]

1	04451135	1	primer
3	01173143	1	clamp 4,6x280
4	01173969	5	clamp 32-50
5	04422728	1	fascia
6	04436010	1	manifold
7	01111308	1	screw m 10 x 50
8	01112538	4	screw m 12 x 35, d933
9	01174738	7	flat washer 12.5x26x6
10	01112858	2	nut m 12, d934
11	04436007	1	silencer
12	04437930	1	bracket
13	01112554	1	screw m 12 x 45
14	01112429	2	screw m 10 x 30, d933
15	01102659	3	nut m 10, d934
20	01144673	4	nut
21	04209203	1	gasket
22	04427255	1	clamp
23	04436011.4/10	1	exhaust pipe
24	04437932	1	bracket
28	04450656	1	adapter
29	04450649	1	adapter
30	04432016	2	rubber sleeve
31	04450659	1	tube
32	01173966	1	fascia 12-20



K9\_94556\_00\_0\_0

**PLUG**

Fig.	P/n	QTY	Name
------	-----	-----	------

**Notes:**

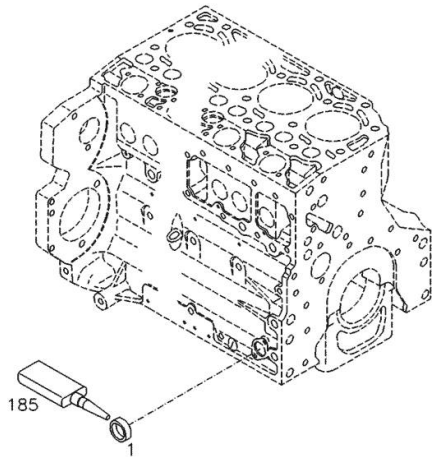
[Agrotron TTV-1145]

**Engine serial number:**

815803 815804 815805 815806 815807 815808 815809 815810 815811 815812 824235 824236 829765 829766 829767  
 829768 829769 829770 829771 829772 829773 829774 835432 835433 835434 835435 835436 835437 835438 840722  
 840723 840724 840725 840726 845053 845054 845055 845056 845057 845058 845059 845060 845061 845062 845063  
 845064 845065 845066 845067 845068 845069 851221 851222 851223 851224 851225 851226 851227 851228 851229  
 851230 851231 851232 851233 864827 864828 864829 864830 864831 868913 868914 876046 876047 876048 876049  
 876050 876051 883422 890176 890177 890178 890179 890180 938111 943659 943660 952026 952027 952028 952029  
 952030 958705 958706 958707 958708 970289 970290 970291 970292 970293 970908 970909 970910 970911 970912  
 1028829 1028830 1028831 1028832 1028833 1028834 1033167

001

1	01179634	1	plug H 2860 -A36-ST-FE/ZNPFR
185	01016127	1	sealing compound ml. 50 H 0699 -DEUTZDW72-50ML



Section: ENGINE  
**FASTENINGS**

Fig.	P/n	QTY	Name
------	-----	-----	------

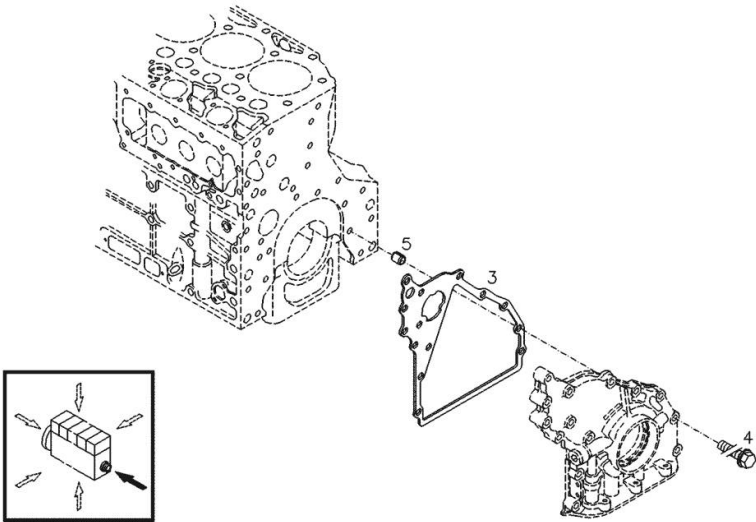
**Notes:**  
 [Agrotron TTV-1145]

**Engine serial number:**

815803 815804 815805 815806 815807 815808 815809 815810 815811 815812 824235 824236 829765 829766 829767  
 829768 829769 829770 829771 829772 829773 829774 835432 835433 835434 835435 835436 835437 835438 840722  
 840723 840724 840725 840726 845053 845054 845055 845056 845057 845058 845059 845060 845061 845062 845063  
 845064 845065 845066 845067 845068 845069 851221 851222 851223 851224 851225 851226 851227 851228 851229  
 851230 851231 851232 851233 864827 864828 864829 864830 864831 868913 868914 876046 876047 876048 876049  
 876050 876051 883422 890176 890177 890178 890179 890180 938111 943659 943660 952026 952027 952028 952029  
 952030 958705 958706 958707 958708 970289 970290 970291 970292 970293 970908 970909 970910 970911 970912  
 1028829 1028830 1028831 1028832 1028833 1028834 1033167

001

3	04204450	1	gasket
4	01143362	14	screw EN 1662 -F-M8X35-10.9-A4C
5	01181406	1	bushing H 2341 -B11X8-FE/ZN12C*



0507 0381

**OIL PRESSUR.SWITCH**

Fig.	P/n	QTY	Name
------	-----	-----	------

**Notes:**

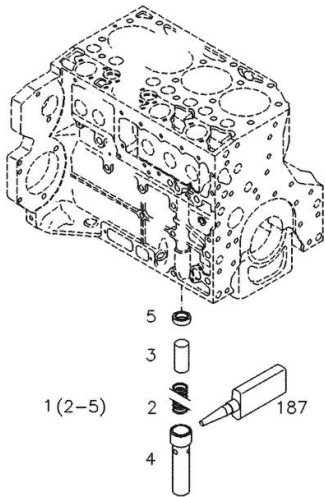
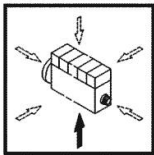
[Agrotron TTV-1145]

**Engine serial number:**

815803 815804 815805 815806 815807 815808 815809 815810 815811 815812 824235 824236 829765 829766 829767  
 829768 829769 829770 829771 829772 829773 829774 835432 835433 835434 835435 835436 835437 835438 840722  
 840723 840724 840725 840726 845053 845054 845055 845056 845057 845058 845059 845060 845061 845062 845063  
 845064 845065 845066 845067 845068 845069 851221 851222 851223 851224 851225 851226 851227 851228 851229  
 851230 851231 851232 851233 864827 864828 864829 864830 864831 868913 868914 876046 876047 876048 876049  
 876050 876051 883422 890176 890177 890178 890179 890180 938111 943659 943660 952026 952027 952028 952029  
 952030 958705 958706 958707 958708 970289 970290 970291 970292 970293 970908 970909 970910 970911 970912  
 1028829 1028830 1028831 1028832 1028833 1028834 1033167

002 ©

1	04207119	1	valve WITH ITEM .... (2-5)
2	04200782	1	spring
3	04207120	1	piston
4	04207121	1	spacer
5	04201794	1	ring
187	01016123	1	small plate H 0699 -DEUTZDW71-50ML



**FILLER CAP**

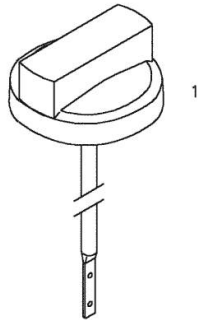
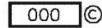
Fig.	P/n	QTY	Name
------	-----	-----	------

**Notes:**

[Agrottron TTV-1145]

**Engine serial number:**

815803 815804 815805 815806 815807 815808 815809 815810 815811 815812 824235 824236 829765 829766 829767  
 829768 829769 829770 829771 829772 829773 829774 835432 835433 835434 835435 835436 835437 835438 840722  
 840723 840724 840725 840726 845053 845054 845055 845056 845057 845058 845059 845060 845061 845062 845063  
 845064 845065 845066 845067 845068 845069 851221 851222 851223 851224 851225 851226 851227 851228 851229  
 851230 851231 851232 851233 864827 864828 864829 864830 864831 868913 868914 876046 876047 876048 876049  
 876050 876051 883422 890176 890177 890178 890179 890180 938111 943659 943660 952026 952027 952028 952029  
 952030 958705 958706 958707 958708 970289 970290 970291 970292 970293 970908 970909 970910 970911 970912  
 1028829 1028830 1028831 1028832 1028833 1028834 1033167



1	01180286	1	plug H 2875 -B2-OL40-166X4-130X12
---	----------	---	--------------------------------------

**OIL FILLER NECK**

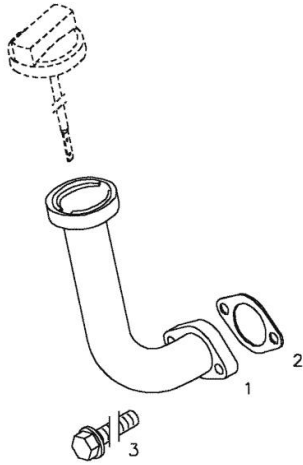
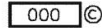
Fig.	P/n	QTY	Name
------	-----	-----	------

**Notes:**

[Agrotron TTV-1145]

**Engine serial number:**

815803 815804 815805 815806 815807 815808 815809 815810 815811 815812 824235 824236 829765 829766 829767  
 829768 829769 829770 829771 829772 829773 829774 835432 835433 835434 835435 835436 835437 835438 840722  
 840723 840724 840725 840726 845053 845054 845055 845056 845057 845058 845059 845060 845061 845062 845063  
 845064 845065 845066 845067 845068 845069 851221 851222 851223 851224 851225 851226 851227 851228 851229  
 851230 851231 851232 851233 864827 864828 864829 864830 864831 868913 868914 876046 876047 876048 876049  
 876050 876051 883422 890176 890177 890178 890179 890180 938111 943659 943660 952026 952027 952028 952029  
 952030 958705 958706 958707 958708 970289 970290 970291 970292 970293 970908 970909 970910 970911 970912  
 1028829 1028830 1028831 1028832 1028833 1028834 1033167



1	04207099	1	tube
2	01178421	1	gasket
3	01181433	2	screw

**CRANKCASE BREATHER**

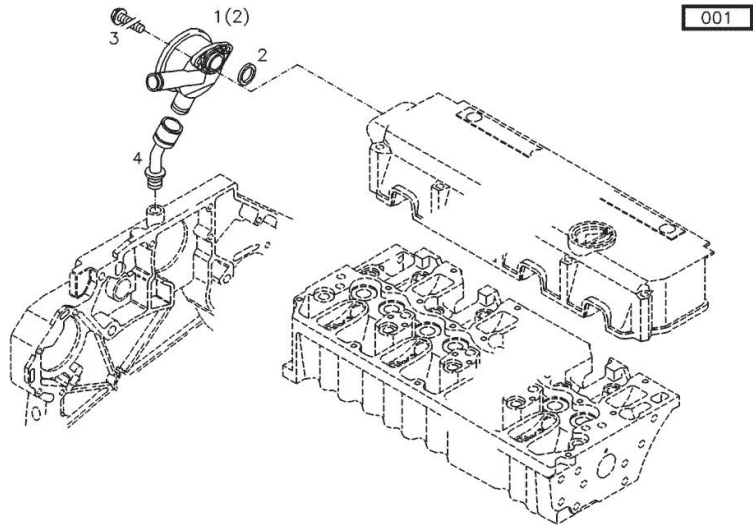
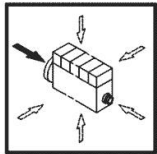
Fig.	P/n	QTY	Name
------	-----	-----	------

**Notes:**

[Agrotron TTV-1145]

**Engine serial number:**

815803 815804 815805 815806 815807 815808 815809 815810 815811 815812 824235 824236 829765 829766 829767  
 829768 829769 829770 829771 829772 829773 829774 835432 835433 835434 835435 835436 835437 835438 840722  
 840723 840724 840725 840726 845053 845054 845055 845056 845057 845058 845059 845060 845061 845062 845063  
 845064 845065 845066 845067 845068 845069 851221 851222 851223 851224 851225 851226 851227 851228 851229  
 851230 851231 851232 851233 864827 864828 864829 864830 864831 868913 868914 876046 876047 876048 876049  
 876050 876051 883422 890176 890177 890178 890179 890180 938111 943659 943660 952026 952027 952028 952029  
 952030 958705 958706 958707 958708 970289 970290 970291 970292 970293 970908 970909 970910 970911 970912  
 1028829 1028830 1028831 1028832 1028833 1028834 1033167



1	04207651	1	valve WITH ITEM .... (2)
2	04207649	1	ring
3	01180218	2	screw EN 1662 -F-M6X20-10.9-GESCHW
4	04207290	1	pipng

**Buy Now**



Our support email:

[ebooklibonline@outlook.com](mailto:ebooklibonline@outlook.com)