

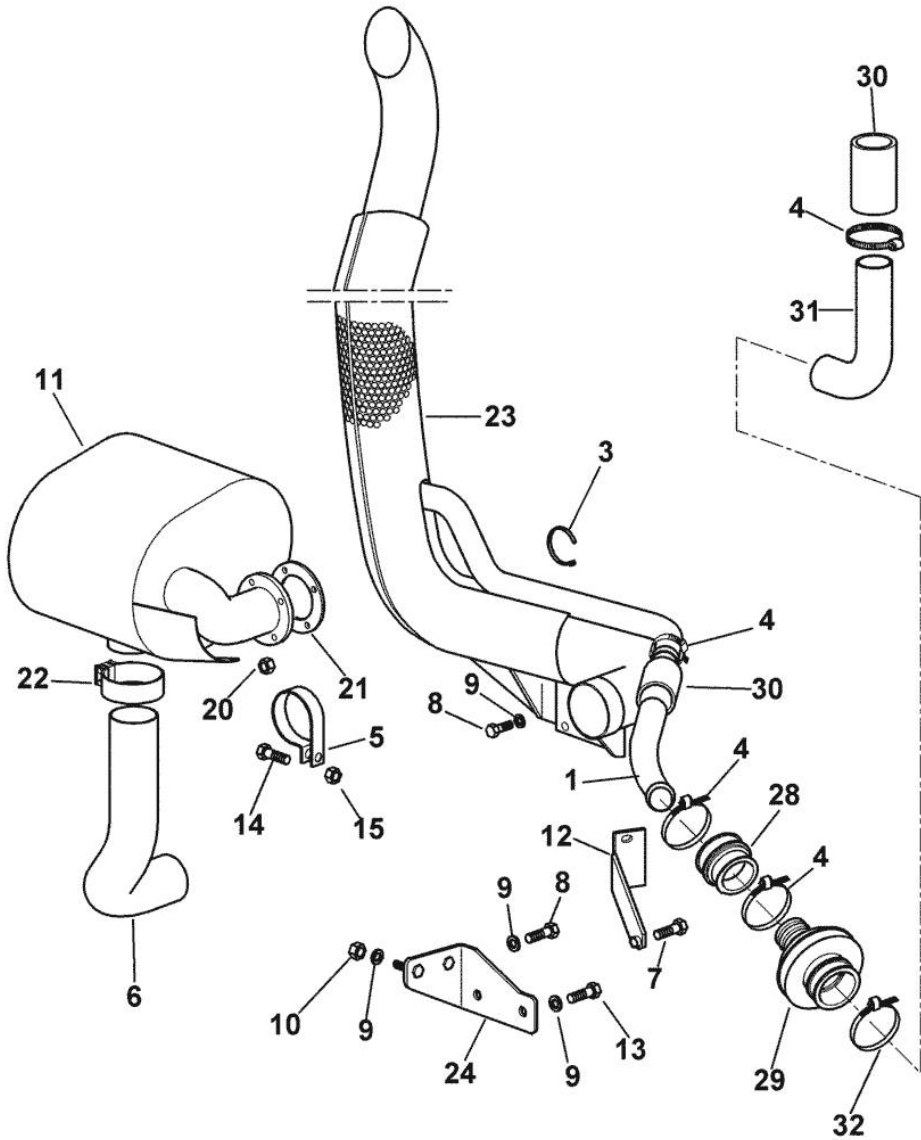
Section: ENGINE

**EXHAUST SILENCER**

| Fig. | P/n | QTY | Name |
|------|-----|-----|------|
|------|-----|-----|------|

Notes:  
[Agrotron TTV-1160]

|    |               |   |                       |
|----|---------------|---|-----------------------|
| 1  | 04451135      | 1 | primer                |
| 3  | 01173143      | 1 | clamp 4,6x280         |
| 4  | 01173969      | 5 | clamp 32-50           |
| 5  | 04422728      | 1 | fascia                |
| 6  | 04436010      | 1 | manifold              |
| 7  | 01111308      | 1 | screw m 10 x 50       |
| 8  | 01112538      | 4 | screw m 12 x 35, d933 |
| 9  | 01174738      | 7 | flat washer 12.5x26x6 |
| 10 | 01112858      | 2 | nut m 12, d934        |
| 11 | 04436007      | 1 | silencer              |
| 12 | 04437930      | 1 | bracket               |
| 13 | 01112554      | 1 | screw m 12 x 45       |
| 14 | 01112429      | 2 | screw m 10 x 30, d933 |
| 15 | 01102659      | 3 | nut m 10, d934        |
| 20 | 01144673      | 4 | nut                   |
| 21 | 04209203      | 1 | gasket                |
| 22 | 04427255      | 1 | clamp                 |
| 23 | 04436011.4/10 | 1 | exhaust pipe          |
| 24 | 04437932      | 1 | bracket               |
| 28 | 04450656      | 1 | adapter               |
| 29 | 04450649      | 1 | adapter               |
| 30 | 04432016      | 2 | rubber sleeve         |
| 31 | 04450659      | 1 | tube                  |
| 32 | 01173966      | 1 | fascia 12-20          |



K9\_94556\_00\_0\_0

**PLUG**

| Fig. | P/n | QTY | Name |
|------|-----|-----|------|
|------|-----|-----|------|

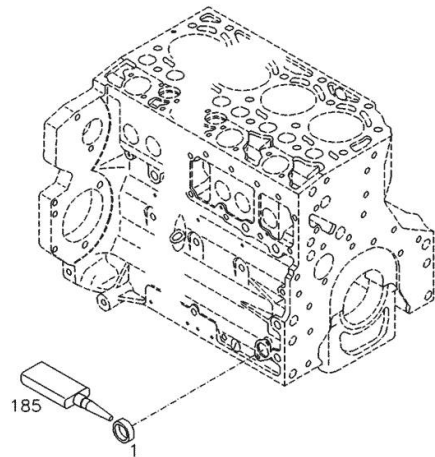
**Notes:**

[Agrotron TTV-1160]

**Engine serial number:**

797881 797882 797883 797884 797885 797886 797887 797888 797889 797890 824760 824761 824762 824763 824764  
 824765 824766 824767 824768 824769 824770 824771 832355 832356 832357 832358 832359 832360 832361 832362  
 832363 832364 832365 832366 832367 832368 832369 832370 832371 832372 832373 832374 838382 838383 838384  
 838385 838386 838387 838388 838389 838390 838391 838392 838393 838785 838786 838787 838788 838789 838790  
 838791 838792 848250 848251 848252 848253 848254 848255 848256 848257 848258 848259 848260 848261 848262  
 848263 848264 848265 851568 851569 851570 851571 851572 851573 851574 851575 851576 851577 851578 851579  
 851580 851581 851582 863316 863317 863318 863319 863320 863321 863322 863323 863324 863325 863326 863327  
 864066 864067 864068 864069 864070 864071 864072 864073 875251 875252 875253 875254 875255 875256 875257  
 875258 875259 875260 875261 875262 875263 875264 875265 875266 875267 875268 875269 875270 875271 875272  
 875273 875274 875275 875276 875277 875278 875279 875280 875281 875282 875283 879274 879275 879276 879277  
 879278 879279 884615 884616 884617 884618 884619 884620 884729 884730 884731 884732 884733 884734 884735  
 884736 884737 884738 945150 954827 954828 954829 954830 954831 954832 954833 954834 954835 954836 956858  
 956859 956860 956861 956862 956863 956864 956865 956866 956867 958709 958710 958711 958712 966912 966913  
 1030702 1030703 1030704 1030705 1033135 1033136 1039967 1039968 1039969 1039970

001



|     |          |   |   |
|-----|----------|---|---|
| 1   | 01179634 | 1 | plug<br>H 2860 -A36-ST-FE/ZNPHR                   |
| 185 | 01016127 | 1 | sealing compound ml. 50<br>H 0699 -DEUTZDW72-50ML |

Section: ENGINE  
**FASTENINGS**

| Fig. | P/n | QTY | Name |
|------|-----|-----|------|
|------|-----|-----|------|

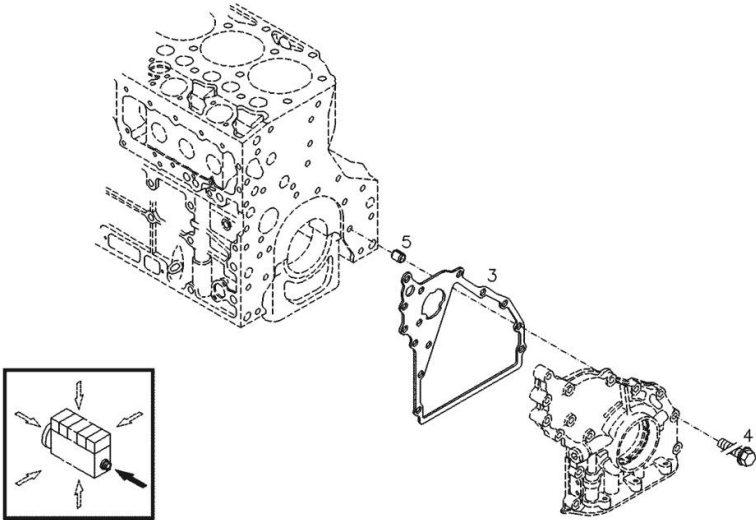
**Notes:**  
 [Agrotron TTV-1160]

**Engine serial number:**

797881 797882 797883 797884 797885 797886 797887 797888 797889 797890 824760 824761 824762 824763 824764  
 824765 824766 824767 824768 824769 824770 824771 832355 832356 832357 832358 832359 832360 832361 832362  
 832363 832364 832365 832366 832367 832368 832369 832370 832371 832372 832373 832374 838382 838383 838384  
 838385 838386 838387 838388 838389 838390 838391 838392 838393 838785 838786 838787 838788 838789 838790  
 838791 838792 848250 848251 848252 848253 848254 848255 848256 848257 848258 848259 848260 848261 848262  
 848263 848264 848265 851568 851569 851570 851571 851572 851573 851574 851575 851576 851577 851578 851579  
 851580 851581 851582 863316 863317 863318 863319 863320 863321 863322 863323 863324 863325 863326 863327  
 864066 864067 864068 864069 864070 864071 864072 864073 875251 875252 875253 875254 875255 875256 875257  
 875258 875259 875260 875261 875262 875263 875264 875265 875266 875267 875268 875269 875270 875271 875272  
 875273 875274 875275 875276 875277 875278 875279 875280 875281 875282 875283 879274 879275 879276 879277  
 879278 879279 884615 884616 884617 884618 884619 884620 884729 884730 884731 884732 884733 884734 884735  
 884736 884737 884738 945150 954827 954828 954829 954830 954831 954832 954833 954834 954835 954836 956858  
 956859 956860 956861 956862 956863 956864 956865 956866 956867 958709 958710 958711 958712 966912 966913  
 1030702 1030703 1030704 1030705 1033135 1033136 1039967 1039968 1039969 1039970

001

|   |          |    |                                    |
|---|----------|----|------------------------------------|
| 3 | 04204450 | 1  | gasket                             |
| 4 | 01143362 | 14 | screw<br>EN 1662 -F-M8X35-10.9-A4C |
| 5 | 01181406 | 1  | bushing<br>H 2341 -B11X8-FE/ZN12C* |



0507 0381

**OIL PRESSUR.SWITCH**

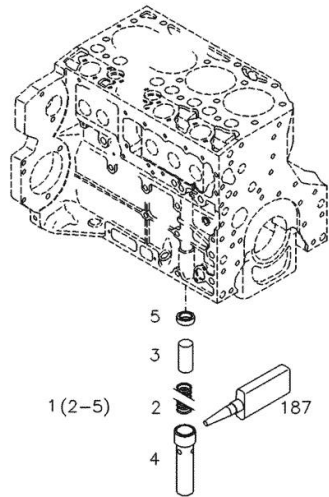
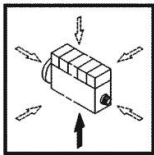
| Fig. | P/n | QTY | Name |
|------|-----|-----|------|
|------|-----|-----|------|

**Notes:**

[Agrotron TTV-1160]

**Engine serial number:**

797881 797882 797883 797884 797885 797886 797887 797888 797889 797890 824760 824761 824762 824763 824764  
 824765 824766 824767 824768 824769 824770 824771 832355 832356 832357 832358 832359 832360 832361 832362  
 832363 832364 832365 832366 832367 832368 832369 832370 832371 832372 832373 832374 838382 838383 838384  
 838385 838386 838387 838388 838389 838390 838391 838392 838393 838785 838786 838787 838788 838789 838790  
 838791 838792 848250 848251 848252 848253 848254 848255 848256 848257 848258 848259 848260 848261 848262  
 848263 848264 848265 851568 851569 851570 851571 851572 851573 851574 851575 851576 851577 851578 851579  
 851580 851581 851582 863316 863317 863318 863319 863320 863321 863322 863323 863324 863325 863326 863327  
 864066 864067 864068 864069 864070 864071 864072 864073 875251 875252 875253 875254 875255 875256 875257  
 875258 875259 875260 875261 875262 875263 875264 875265 875266 875267 875268 875269 875270 875271 875272  
 875273 875274 875275 875276 875277 875278 875279 875280 875281 875282 875283 879274 879275 879276 879277  
 879278 879279 884615 884616 884617 884618 884619 884620 884729 884730 884731 884732 884733 884734 884735  
 884736 884737 884738 945150 954827 954828 954829 954830 954831 954832 954833 954834 954835 954836 956858  
 956859 956860 956861 956862 956863 956864 956865 956866 956867 958709 958710 958711 958712 966912 966913  
 1030702 1030703 1030704 1030705 1033135 1033136 1039967 1039968 1039969 1039970



002 ©

|     |          |   |                                       |
|-----|----------|---|---------------------------------------|
| 1   | 04207119 | 1 | valve<br>WITH ITEM ....<br>(2-5)      |
| 2   | 04200782 | 1 | spring                                |
| 3   | 04207120 | 1 | piston                                |
| 4   | 04207121 | 1 | spacer                                |
| 5   | 04201794 | 1 | ring                                  |
| 187 | 01016123 | 1 | small plate<br>H 0699 -DEUTZDW71-50ML |

**FILLER CAP**

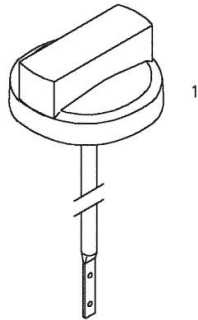
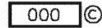
| Fig. | P/n | QTY | Name |
|------|-----|-----|------|
|------|-----|-----|------|

**Notes:**

[Agrotron TTV-1160]

**Engine serial number:**

797881 797882 797883 797884 797885 797886 797887 797888 797889 797890 824760 824761 824762 824763 824764  
 824765 824766 824767 824768 824769 824770 824771 832355 832356 832357 832358 832359 832360 832361 832362  
 832363 832364 832365 832366 832367 832368 832369 832370 832371 832372 832373 832374 838382 838383 838384  
 838385 838386 838387 838388 838389 838390 838391 838392 838393 838785 838786 838787 838788 838789 838790  
 838791 838792 848250 848251 848252 848253 848254 848255 848256 848257 848258 848259 848260 848261 848262  
 848263 848264 848265 851568 851569 851570 851571 851572 851573 851574 851575 851576 851577 851578 851579  
 851580 851581 851582 863316 863317 863318 863319 863320 863321 863322 863323 863324 863325 863326 863327  
 864066 864067 864068 864069 864070 864071 864072 864073 875251 875252 875253 875254 875255 875256 875257  
 875258 875259 875260 875261 875262 875263 875264 875265 875266 875267 875268 875269 875270 875271 875272  
 875273 875274 875275 875276 875277 875278 875279 875280 875281 875282 875283 879274 879275 879276 879277  
 879278 879279 884615 884616 884617 884618 884619 884620 884729 884730 884731 884732 884733 884734 884735  
 884736 884737 884738 945150 954827 954828 954829 954830 954831 954832 954833 954834 954835 954836 956858  
 956859 956860 956861 956862 956863 956864 956865 956866 956867 958709 958710 958711 958712 966912 966913  
 1030702 1030703 1030704 1030705 1033135 1033136 1039967 1039968 1039969 1039970



|   |          |   |                                      |
|---|----------|---|--------------------------------------|
| 1 | 01180286 | 1 | plug<br>H 2875 -B2-OL40-166X4-130X12 |
|---|----------|---|--------------------------------------|

**OIL FILLER NECK**

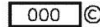
| Fig. | P/n | QTY | Name |
|------|-----|-----|------|
|------|-----|-----|------|

**Notes:**

[Agrotron TTV-1160]

**Engine serial number:**

797881 797882 797883 797884 797885 797886 797887 797888 797889 797890 824760 824761 824762 824763 824764  
 824765 824766 824767 824768 824769 824770 824771 832355 832356 832357 832358 832359 832360 832361 832362  
 832363 832364 832365 832366 832367 832368 832369 832370 832371 832372 832373 832374 838382 838383 838384  
 838385 838386 838387 838388 838389 838390 838391 838392 838393 838785 838786 838787 838788 838789 838790  
 838791 838792 848250 848251 848252 848253 848254 848255 848256 848257 848258 848259 848260 848261 848262  
 848263 848264 848265 851568 851569 851570 851571 851572 851573 851574 851575 851576 851577 851578 851579  
 851580 851581 851582 863316 863317 863318 863319 863320 863321 863322 863323 863324 863325 863326 863327  
 864066 864067 864068 864069 864070 864071 864072 864073 875251 875252 875253 875254 875255 875256 875257  
 875258 875259 875260 875261 875262 875263 875264 875265 875266 875267 875268 875269 875270 875271 875272  
 875273 875274 875275 875276 875277 875278 875279 875280 875281 875282 875283 879274 879275 879276 879277  
 879278 879279 884615 884616 884617 884618 884619 884620 884729 884730 884731 884732 884733 884734 884735  
 884736 884737 884738 945150 954827 954828 954829 954830 954831 954832 954833 954834 954835 954836 956858  
 956859 956860 956861 956862 956863 956864 956865 956866 956867 958709 958710 958711 958712 966912 966913  
 1030702 1030703 1030704 1030705 1033135 1033136 1039967 1039968 1039969 1039970



|   |          |   |        |
|---|----------|---|--------|
| 1 | 04207099 | 1 | tube   |
| 2 | 01178421 | 1 | gasket |
| 3 | 01181433 | 2 | screw  |

**CRANKCASE BREATHER**

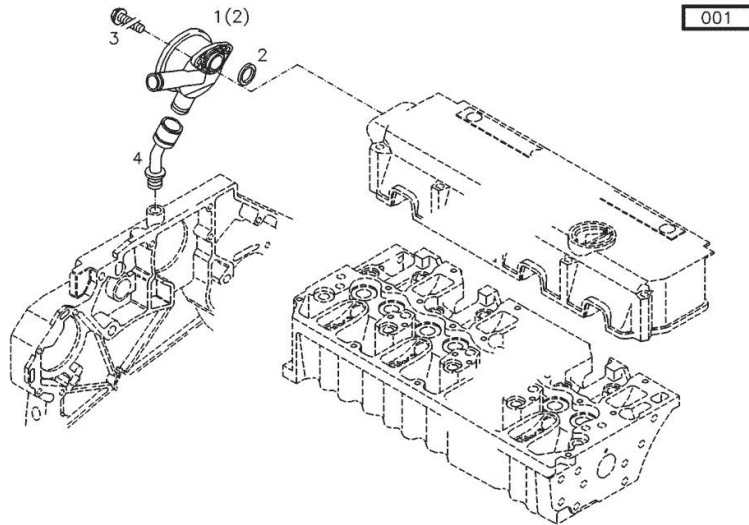
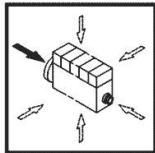
| Fig. | P/n | QTY | Name |
|------|-----|-----|------|
|------|-----|-----|------|

**Notes:**

[Agrotron TTV-1160]

**Engine serial number:**

797881 797882 797883 797884 797885 797886 797887 797888 797889 797890 824760 824761 824762 824763 824764  
 824765 824766 824767 824768 824769 824770 824771 832355 832356 832357 832358 832359 832360 832361 832362  
 832363 832364 832365 832366 832367 832368 832369 832370 832371 832372 832373 832374 838382 838383 838384  
 838385 838386 838387 838388 838389 838390 838391 838392 838393 838785 838786 838787 838788 838789 838790  
 838791 838792 848250 848251 848252 848253 848254 848255 848256 848257 848258 848259 848260 848261 848262  
 848263 848264 848265 851568 851569 851570 851571 851572 851573 851574 851575 851576 851577 851578 851579  
 851580 851581 851582 863316 863317 863318 863319 863320 863321 863322 863323 863324 863325 863326 863327  
 864066 864067 864068 864069 864070 864071 864072 864073 875251 875252 875253 875254 875255 875256 875257  
 875258 875259 875260 875261 875262 875263 875264 875265 875266 875267 875268 875269 875270 875271 875272  
 875273 875274 875275 875276 875277 875278 875279 875280 875281 875282 875283 879274 879275 879276 879277  
 879278 879279 884615 884616 884617 884618 884619 884620 884729 884730 884731 884732 884733 884734 884735  
 884736 884737 884738 945150 954827 954828 954829 954830 954831 954832 954833 954834 954835 954836 956858  
 956859 956860 956861 956862 956863 956864 956865 956866 956867 958709 958710 958711 958712 966912 966913  
 1030702 1030703 1030704 1030705 1033135 1033136 1039967 1039968 1039969 1039970



|   |          |   |                                       |
|---|----------|---|---------------------------------------|
| 1 | 04207651 | 1 | valve<br>WITH ITEM ....<br>(2)        |
| 2 | 04207649 | 1 | ring                                  |
| 3 | 01180218 | 2 | screw<br>EN 1662 -F-M6X20-10.9-GESCHW |
| 4 | 04207290 | 1 | pipng                                 |

**Buy Now**



Our support email:

[ebooklibonline@outlook.com](mailto:ebooklibonline@outlook.com)