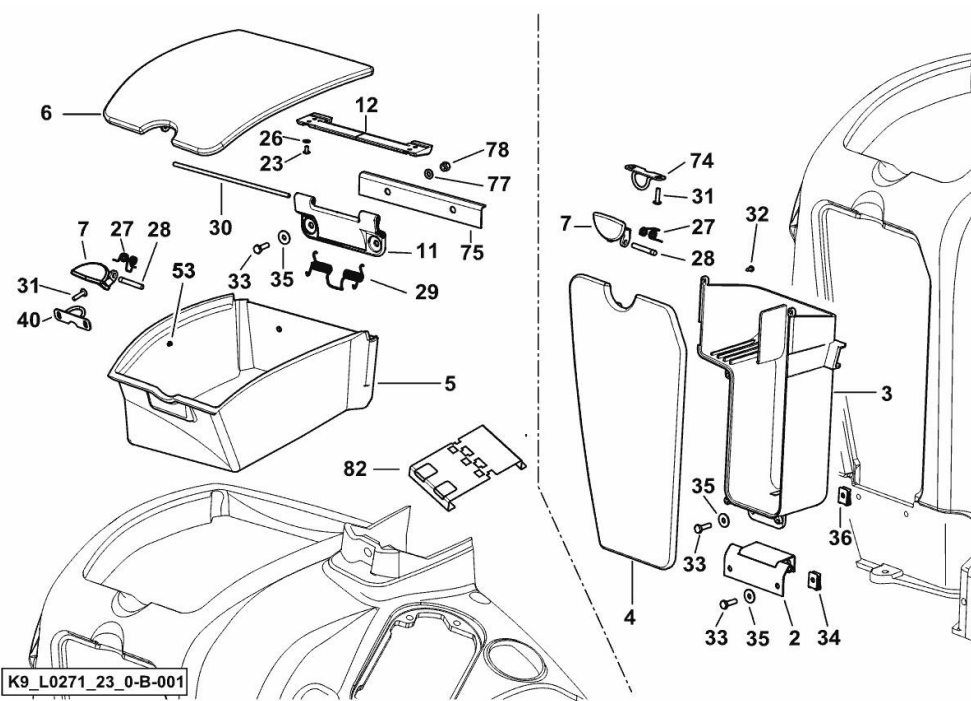


CONTROL CONSOLE - SX/LH/LI

Fig.	P/n	QTY	Name
------	-----	-----	------

Notes:

[Agrotron X710 ->WSXJ330400LD10001]



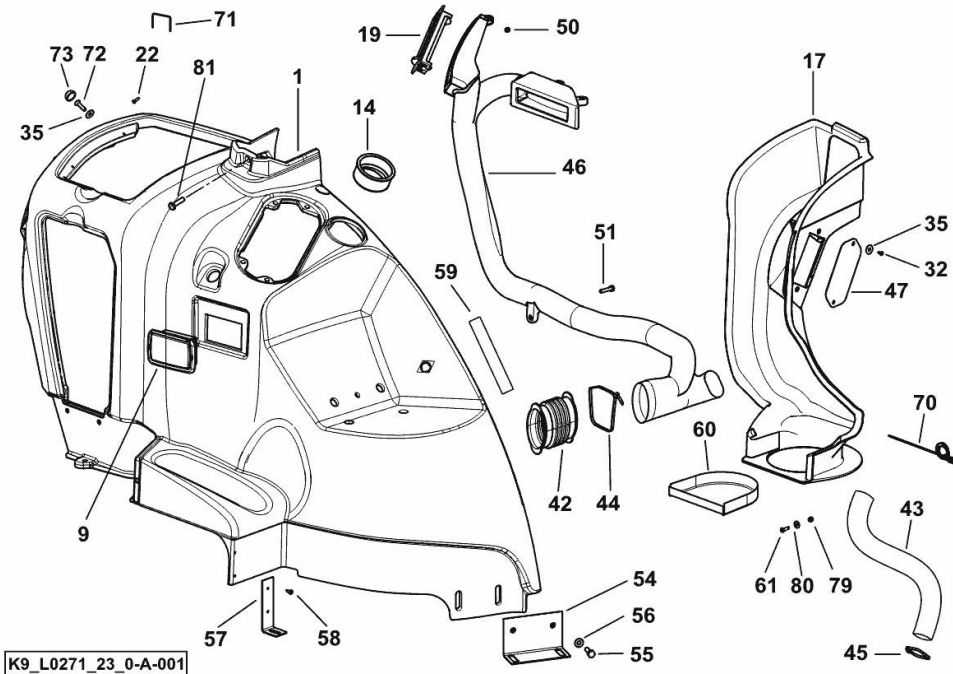
2	0.010.9992.2	1	hinge
3	04429198	1	glove pocket
4	04429199	1	cover
5	04429274/10	1	glove pocket
6	04429286	1	cover
7	0.010.9955.0	2	handle
11	0.010.9987.0	1	hinge
12	0.010.9988.0/10	1	hinge
23	04419646	4	self tapping screw
26	2.1310.028.2	4	flat washer
27	2.4099.120.3/10	2	spring
28	2.1699.510.2	2	pin
29	2.4099.135.2	1	spring
30	2.1659.520.3	1	pin
31	04412976	4	screw 4.8x19
32	2.0350.253.3	9	screw m 3.5 x 9.5 AB
33	2.0114.007.2	8	screw m 6 p.1 x 20
34	04429941	4	special nut
35	01119810	9	washer 6.4
36	2.6999.064.6	2	special nut m 6
40	04429682	1	support
53	04426353	4	rivet
74	04429203	1	support
75	04451325	1	support
77	2.1310.002.2	2	flat washer 6.4x12.5
78	2.1120.003.2	2	self-locking nut m 6
82	0.017.0773.0/10	1	support

CONTROL CONSOLE - SX/LH/LI

Fig.	P/n	QTY	Name
------	-----	-----	------

Notes:

[Agrotron X710 ->WSXJ330400LD10001]



1	0.016.7006.2/10	1	console
9	04412336	1	ashtray
14	04431564	1	pipe fitting
17	04451226	1	canal sx/lh/li
19	04411423	1	mixer
22	04426906	9	screw 4.2x16
32	2.0350.253.3	9	screw m 3.5 x 9.5 AB
35	01119810	9	washer 6.4
42	0.011.5581.0	1	boot
43	04431843	1	flexible hose
44	2.6852.203.0	1	clamp 292 x 4.8
45	01137413	1	fascia Ø 32/50
46	04429710/10	1	air shaft
47	0.011.3788.0	1	plate
50	2.1120.003.2	3	self-locking nut m 6
51	2.0114.011.2	1	screw m 6 p,1x30
54	0.018.8661.3	1	support
55	2.0114.209.2	2	screw m 8 x 25
56	01138374	2	washer 8,4x21x4
57	04429758	1	support
58	01127683	2	screw m 4.2x13
59	04418723	1	profile
60	0.011.5949.0	1	protective mesh
61	2.0114.007.2	2	screw m 6 p.1 x 20
70	01171694	2	clamp 172X4.6
71	04450845	20	brace
72	2.0342.207.6	1	screw m 6 p.1 x 25
73	04419538	1	cap
79	2.1120.003.2	2	self-locking nut m 6
80	06214189	2	washer 6.4
81	2.0114.211.2	1	screw m 8 x 30

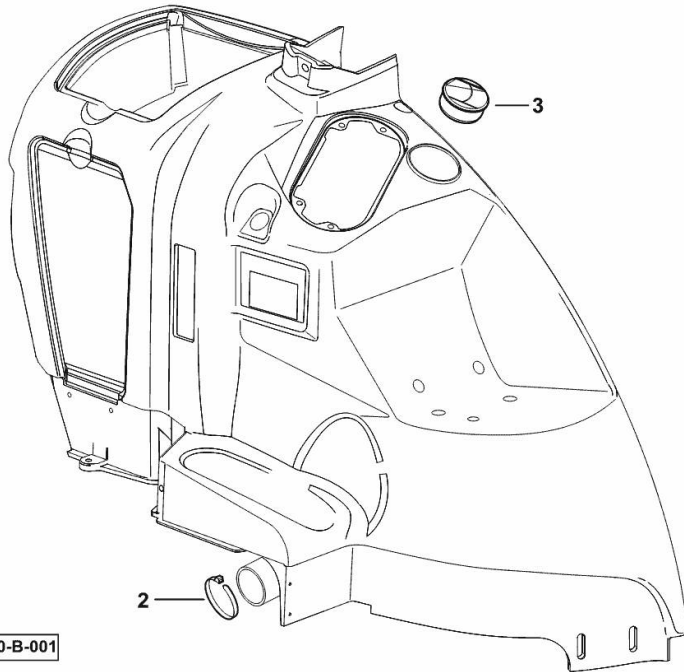
LEFT-HAND CONSOLE PARTS KIT

Fig.	P/n	QTY	Name
------	-----	-----	------

Notes:

[Agrotron X710 ->WSXJ330400LD10001] 10010 <-

2	2.6852.203.0	1	clamp 292 x 4.8
3	04428870	2	mixer



K9_B2071_43_0-B-001

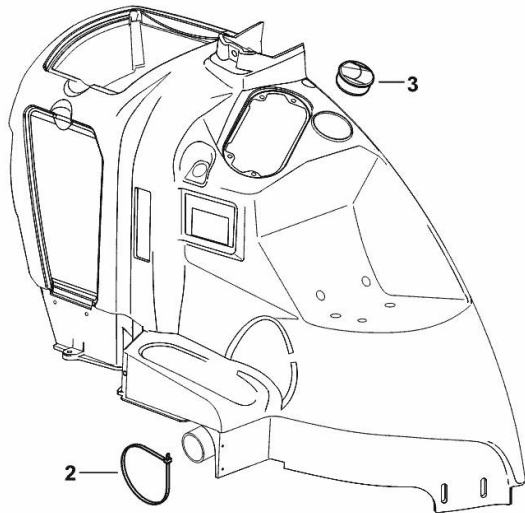
CONTROL CONSOLE SX/LH/LI

Fig.	P/n	QTY	Name
------	-----	-----	------

Notes:

[Agrotron X710 ->WSXJ330400LD10001] -> 10011

2	2.6852.203.0	1	clamp 292 x 4.8
3	04428870	2	mixer



K9_J2971_43_0-B-001

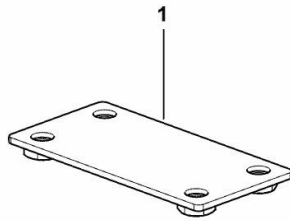
PLATE

Fig.	P/n	QTY	Name
------	-----	-----	------

Notes:

- FOR TYPES WITHOUT FRONT LIFT CONTROL [Agrotron X710 ->WSXJ330400LD10001]

1	0.015.4729.3	1	plate
---	--------------	---	-------



K9_J3384_21_0-A-001

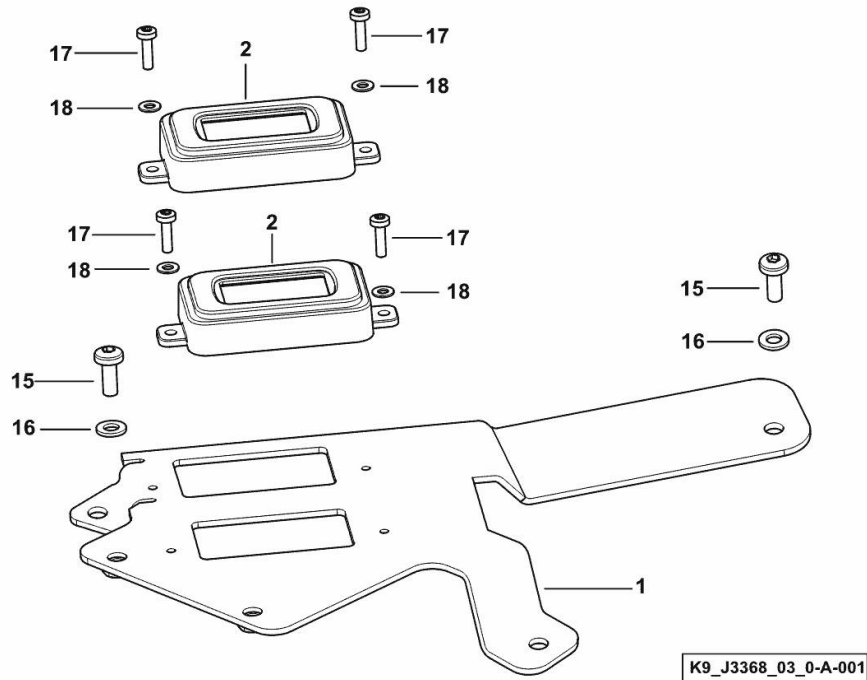
P.T.O. SHAFT DRIVE - REAR

Fig.	P/n	QTY	Name
------	-----	-----	------

Notes:

[Agrotron X710 ->WSXJ330400LD10001]

1	0.017.7448.3	1	bracket
2	0.020.6081.0	2	small cover
15	2.0330.406.2	5	screw m 6 p.1.0 x 16
16	2.1310.002.3	5	flat washer 6.4 x 12 x 1.6
17	2.0362.005.2	4	screw m4x15
18	2.1310.028.3	4	washer 4



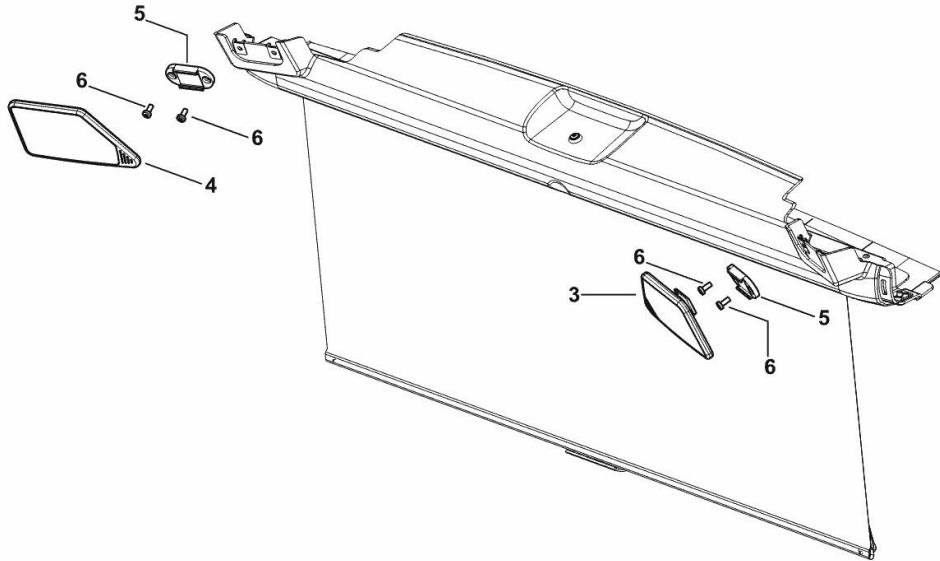
REARVIEW MIRROR

Fig.	P/n	QTY	Name
------	-----	-----	------

Notes:

[Agrotron X710 ->WSXJ330400LD10001]

3	0.012.2112.4	1	mirror dx/rh/re
4	0.012.2111.4	1	mirror sx/lh/li
5	0.012.2107.0/10	2	support
6	2.0330.304.2	9	screw m 5 x 12



K9_J5771_28_0-B-001

Buy Now



Our support email:

ebooklibonline@outlook.com