

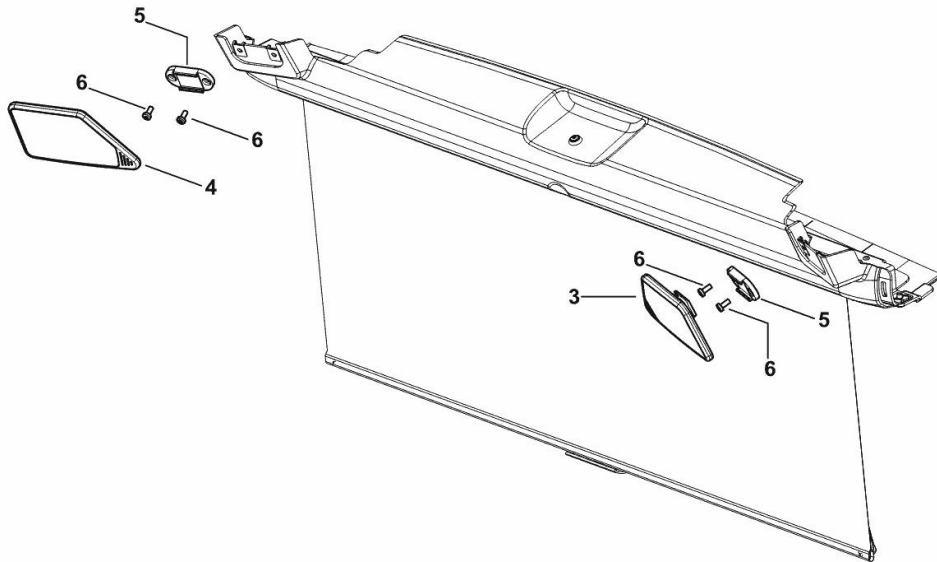
REARVIEW MIRROR

Fig.	P/n	QTY	Name
------	-----	-----	------

Notes:

[Agrotron X720 ->WSXJ340400LD10001]

3	0.012.2112.4	1	mirror dx/rh/re
4	0.012.2111.4	1	mirror sx/lh/li
5	0.012.2107.0/10	2	support
6	2.0330.304.2	9	screw m 5 x 12



K9_J5771_28_0-B-001

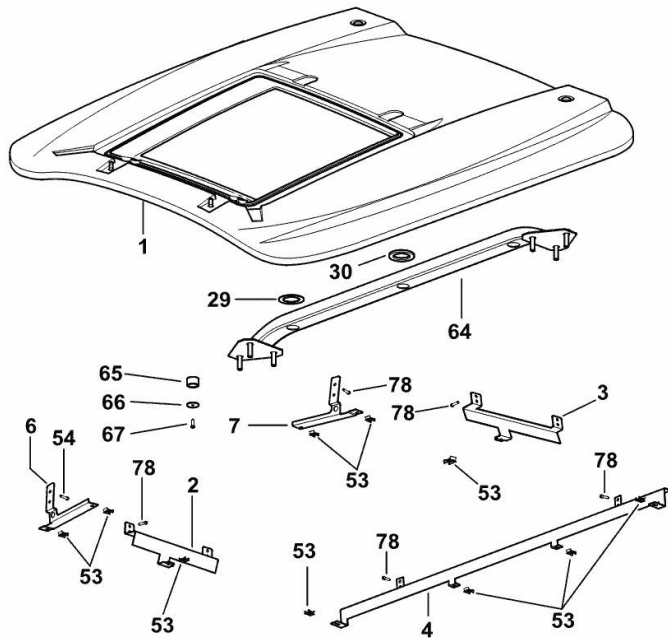
CAB ROOF "HIGHT VISIBILITY"

Fig.	P/n	QTY	Name
------	-----	-----	------

Notes:

[Agrotron X720 ->WSXJ340400LD10001] 10077 <-

1	0.013.3785.4	1	roof - COLORE VERDE
2	04429792	1	support
3	04429789	1	support
4	04438111	1	support
6	04429785	1	support
7	04429786	1	support
29	2.1569.198.0	2	rubber plug Ø 40x2
30	2.1569.183.0	1	rubber plug Ø 40x5
53	2.6999.047.0	14	clip
54	04414182	2	rivet 4.8
64	0.010.7460.3/10	1	crosspiece
65	2.1569.181.0	3	rubber plug Ø 28x16
66	04451483	3	disc
67	2.0363.306.3	3	screw m 6x18
78	04414182	16	rivet 4.8



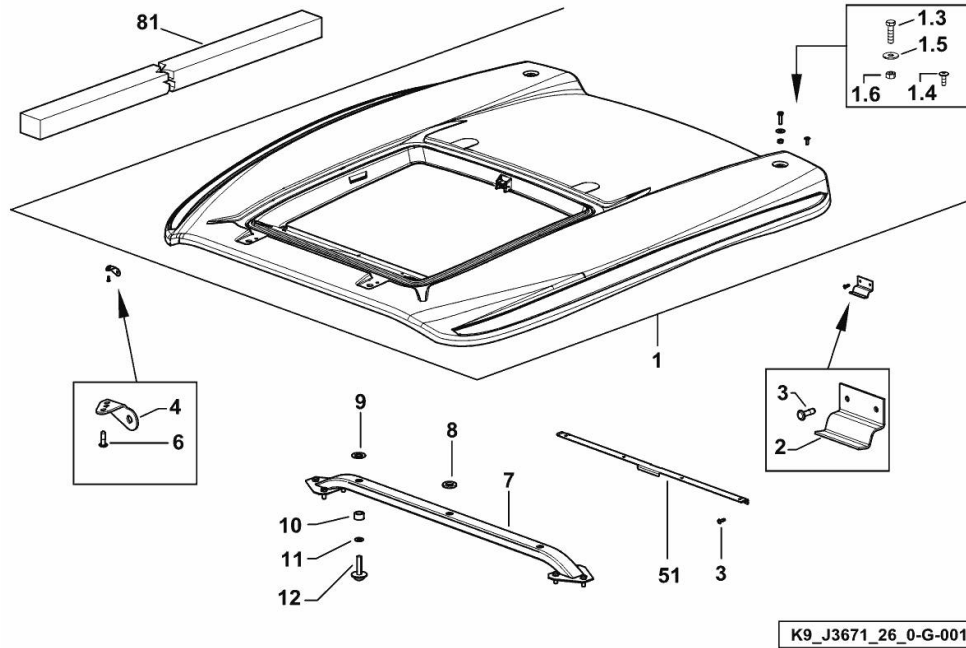
K9_A0571_26_0-C-001

DRIVER'S CAB ROOF

Fig.	P/n	QTY	Name
------	-----	-----	------

Notes:

[Agrotron X720 ->WSXJ340400LD10001] -> 10085



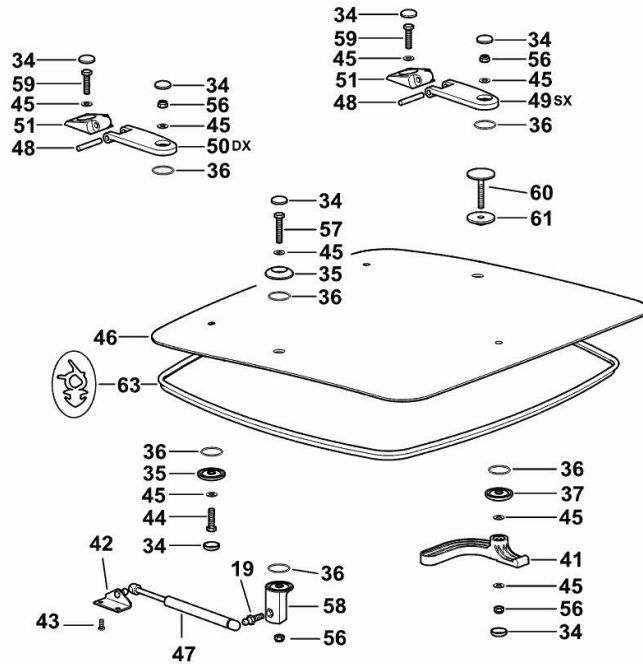
1	0.012.9222.4/10	1	roof
1.3	2.0112.211.2	6	screw m 8 p.1.25 x 30
1.4	2.0363.306.3	12	screw m 6x18
1.5	2.1312.004.2	6	washer 8x24x2
1.6	2.1011.105.2	6	nut m 8 p.1.25
2	0.011.0678.0	1	bracket
3	2.1856.307.0	18	rivet 4.8x12
4	0.010.9972.0/10	1	bracket
6	2.1856.304.0	2	rivet 4
7	0.010.7460.3/10	1	crosspiece
8	2.1569.183.0	1	rubber plug Ø 40x5
9	2.1569.198.0	2	rubber plug Ø 40x2
10	2.1569.181.0	3	rubber plug Ø 28x16
11	2.1312.004.3	3	washer 8,4x24x2
12	2.0363.306.3	15	screw m 6x18
51	0.015.4077.0	1	bracket
81	04438115/10	2	gasket mm 2000

CAB ROOF "HIGHT VISIBILITY"

Fig.	P/n	QTY	Name
------	-----	-----	------

Notes:

[Agrotron X720 ->WSXJ340400LD10001] 10077 <-



K9_A0571_26_0-A-001

19	04399070	2	ball joint
34	04413793	9	cap
35	04429423	4	washer
36	2.1530.078.0	9	oil seal 29.74x3.53
37	04411716	1	washer
41	0.010.6477.0	1	handle
42	0.010.7739.3	2	support
43	2.0361.507.2	4	screw
44	2.0114.211.2	2	screw m 8 x 30
45	2.1312.004.2	10	washer 8x24x2
46	0.010.6476.0/10	1	window glass
47	04414159	2	shock absorber
48	2.1699.486.2	2	pin
49	0.010.7525.0	1	hinge dx/rh/re
50	0.010.6479.0	1	hinge sx/lh/li
51	0.010.6480.0	2	hinge
56	2.1120.005.2	8	nut m 8 p.1.25
57	2.0114.216.2	2	screw m 8 x 45
58	0.010.7738.0/10	2	support
59	2.0112.211.2	2	screw m 8 p.1.25 x 30
60	0.010.7736.2	1	screw
61	0.010.7737.0	1	gasket
63	0.010.8352.0	1	gasket mm 2900

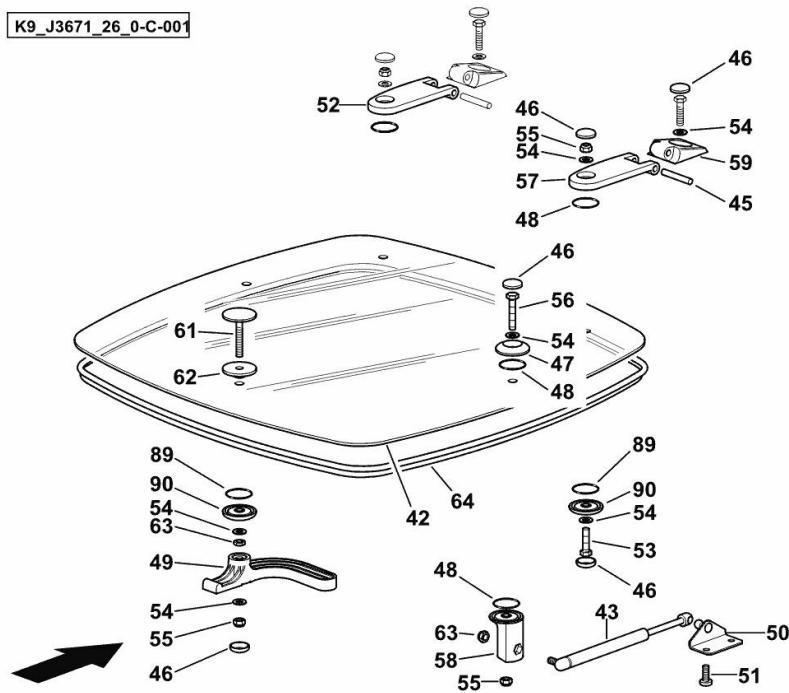
SKYLIGHT

Fig.	P/n	QTY	Name
------	-----	-----	------

Notes:

[Agrotron X720 ->WSXJ340400LD10001] -> 10085

K9_J3671_26_0-C-001



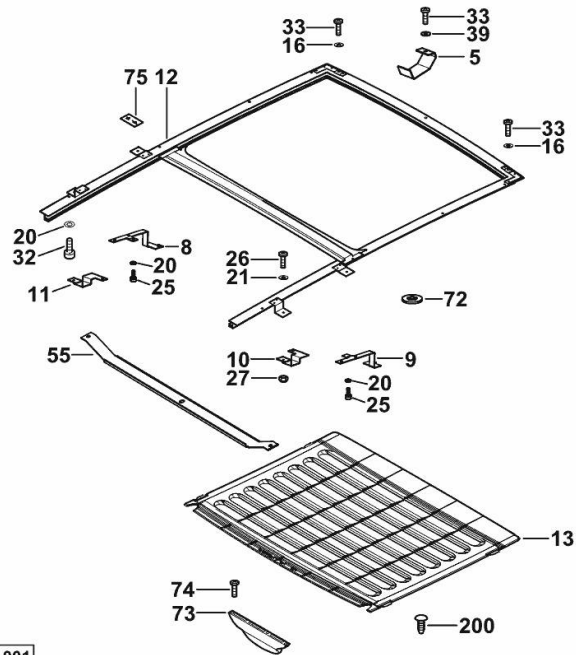
42	0.010.6476.0/10	1	window glass
43	04414159	2	shock absorber
45	2.1699.486.2	2	pin
46	04413793	11	cap
47	04411716	1	washer
48	2.1530.078.0	5	oil seal 29.74x3.53
49	0.010.6477.0	1	handle
50	0.010.7739.3	2	support
51	0.015.4077.0	1	bracket
52	0.010.7525.0	1	hinge dx/rh/re
53	2.0112.210.2	2	screw m 8 p.1.25 x 28
54	2.1310.004.2	3	flat washer 8.4x17
55	2.1120.105.2	9	self-locking nut m 8 p.1.25
56	2.0112.215.2	2	screw m 8 p.1.25 x 40
57	0.010.6479.0	1	hinge sx/lh/li
58	0.010.7738.0/10	2	support
59	0.010.6480.0	2	hinge
61	0.010.7736.2	1	screw
62	0.010.7737.0	1	gasket
63	2.1011.105.2	3	nut m 8 p.1.25
64	0.010.8352.0	1	gasket mm 2900
89	2.1499.197.0	4	gasket 16x44x3
90	04429423	4	washer

CAB ROOF "HIGHT VISIBILITY"

Fig.	P/n	QTY	Name
------	-----	-----	------

Notes:

[Agrotron X720 ->WSXJ340400LD10001] 10077 <-



K9_A0571_26_0-B-001

5	04429787	1	bracket
8	04429781	1	bracket dx/rh/re
9	04429782	1	bracket sx/lh/li
10	04429783	1	bracket dx/rh/re
11	04429784	1	bracket sx/lh/li
12	04429419.4/10	1	chassis frame
13	0.010.7786.2/20	1	roll-up sun-shade
13	04455613	1	roll-up sun-shade
16	2.1312.001.2	2	washer 4
20	01107089	8	washer 5.3
21	2.1310.002.2	4	flat washer 6.4x12.5
25	2.0114.105.2	1	screw m 5 x 16
26	2.0114.005.2	4	screw m 6 p.1.0 x 16
27	2.1011.103.2	4	nut m 6 p.1
32	2.0363.306.3	8	screw m 6x18
33	04412976	3	screw 4.8x19
39	01119810	1	washer 6.4
55	04429413.4	1	support
72	2.1499.197.0	6	gasket 16x44x3
73	0.011.1358.0	1	handle
74	2.0361.408.2	4	screw m 4x14
75	0.012.1862.0/10	1	bracket
200	2.1899.084.0	4	button 8 x 19

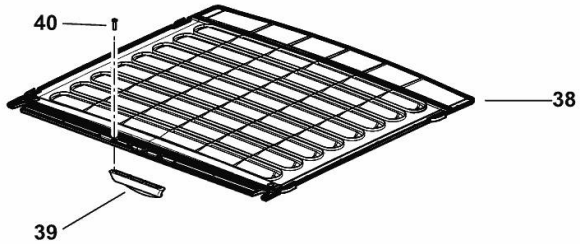
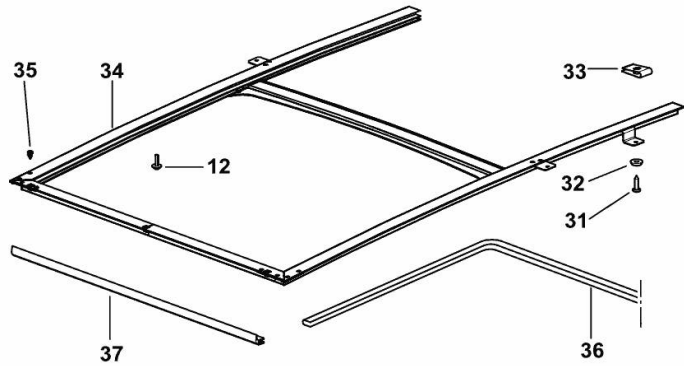
CAB ROOF

Fig.	P/n	QTY	Name
------	-----	-----	------

Notes:

[Agrotron X720 ->WSXJ340400LD10001] -> 10085

12	2.0363.306.3	15	screw m 6x18
31	04428727	19	screw
32	04419538	16	cap
33	2.6999.047.0	12	clip
34	0.010.7783.3/10	1	chassis frame
35	2.0350.405.3	3	screw m 4.2 x 16
36	0.010.9556.0	1	gasket mm 1760
37	0.010.9557.0	1	gasket
38	0.010.7786.2/20	1	roll-up sun-shade
39	0.011.1358.0	1	handle
40	2.0361.408.2	4	screw m 4x14



K9_J3671_26_0-B-001

Buy Now



Our support email:

ebooklibonline@outlook.com