

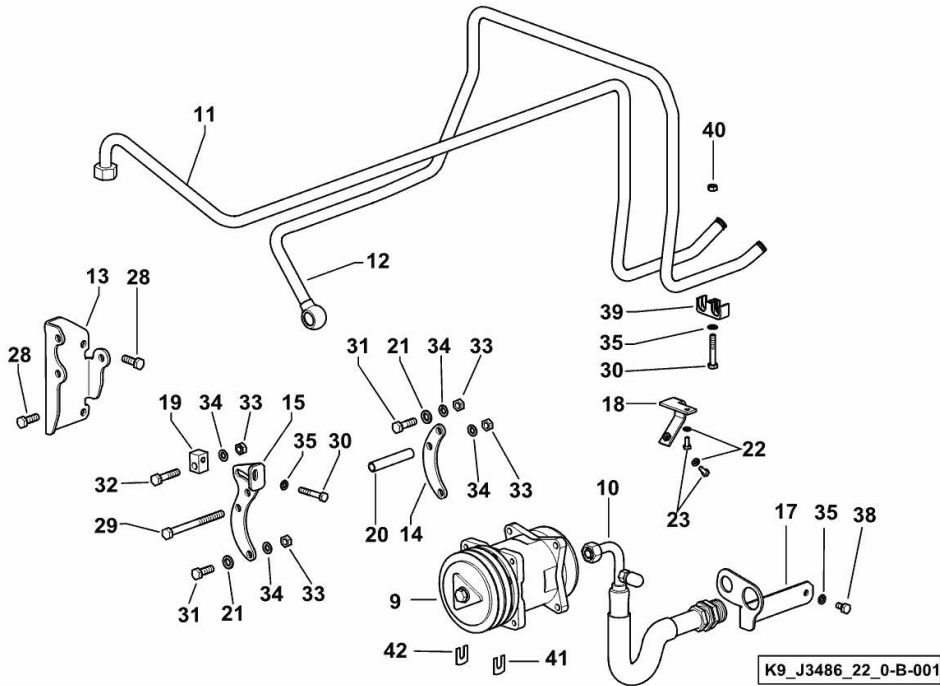
AIR CONDITIONING SYSTEM

Fig.	P/n	QTY	Name
------	-----	-----	------

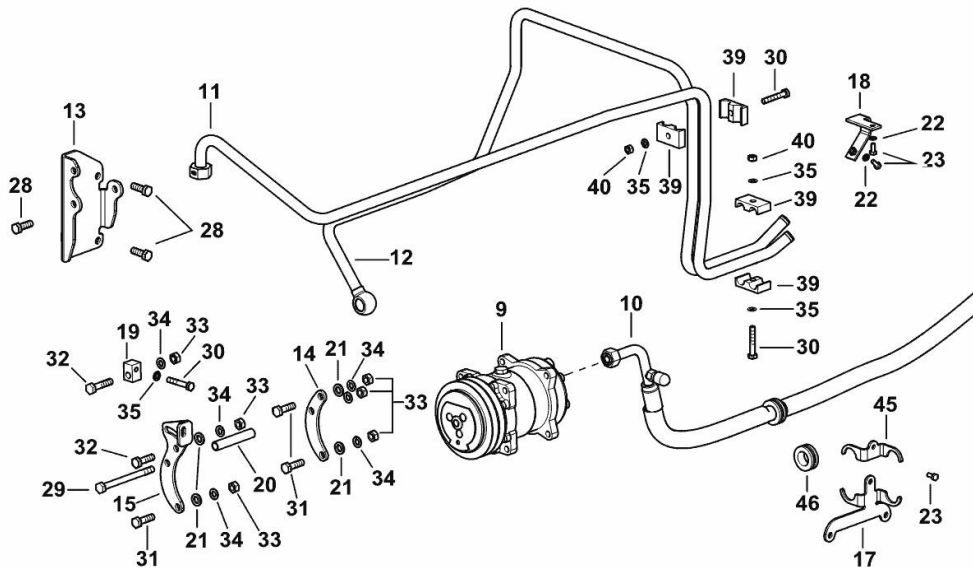
Notes:

[Agrotron X720 ->WSXL930400LD10001] 10059 <-

9	04437339/10	1	compressor R 134a ☞ 04437339/10
10	04455168	1	tube
11	04455202.3/10	1	tube
12	04455145.3/10	1	tube
13	04455310	1	bracket
14	04455312	1	bracket
15	04455314.3	1	bracket
17	04455173	1	bracket
18	04454675	1	bracket
19	04452840	1	tensioner
20	04455316/10	1	rod
21	04452412	4	washer
22	2.1310.002.2	8	flat washer 6.4x12.5
28	2.0112.311.2	3	screw m 10 p.1.5 x 30
29	2.0112.333.2	1	screw m 10 p.1.5x120
30	2.0112.219.2	3	screw m 8 p.1.25x55
31	2.0112.313.2	4	screw m 10 p.1.5 x 35
32	2.0112.317.2	1	screw m 10 p.1.5 x 45
33	2.1011.106.2	6	nut m 10 p.1.5
34	2.1311.007.2	6	flat washer 10
35	2.1311.006.2	6	flat washer 8
38	2.0112.205.2	2	screw m 8 p.1.25 x 16
39	01178214	2	terminal
40	2.1011.105.2	1	nut m 8 p.1.25
41	0.011.3980.0	5	shim mm 1.0
42	0.011.3981.0	5	shim mm 2.0
23	2.0112.004.2	4	screw m 6 p.1 x 14 (-> 10010)



AIR CONDITIONING SYSTEM



K9_J3486_22_0-B-002

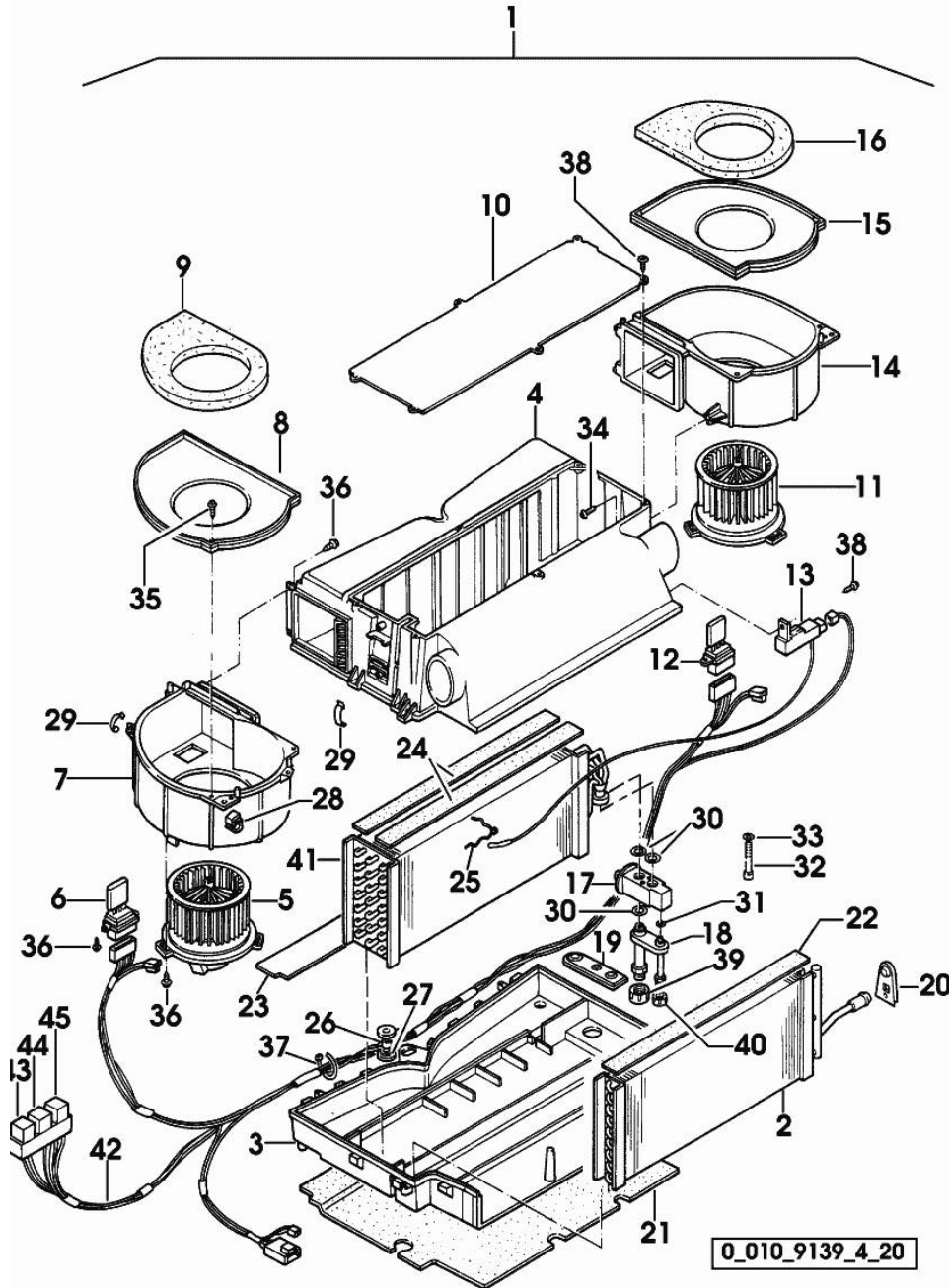
Fig.	P/n	QTY	Name
------	-----	-----	------

Notes:

[Agrotron X720 ->WSXL930400LD10001] -> 10060

9	04437339/10	1	compressor R 134a ☞ 04437339/10
10	04455168/10	1	tube
11	04455202.3/20	1	tube
12	04455145.3/20	1	tube
13	04455310	1	bracket
14	04455312	1	bracket
15	04455314.3	1	bracket
17	0.017.0734.3	1	bracket
18	04454675	1	bracket
19	04452840	1	tensioner
20	04455316/10	1	rod
21	04452412	4	washer
22	2.1312.003.2	8	washer 6
23	2.0112.004.2	3	screw m 6 p.1 x 14
28	2.0112.311.2	3	screw m 10 p.1.5 x 30
29	2.0112.333.2	1	screw m 10 p.1.5x120
30	2.0112.219.2	3	screw m 8 p.1.25x55
31	2.0112.313.2	4	screw m 10 p.1.5 x 35
32	2.0112.317.2	1	screw m 10 p.1.5 x 45
33	2.1011.106.2	6	nut m 10 p.1.5
34	2.1311.007.2	6	flat washer 10
35	2.1311.006.2	5	flat washer 8
39	01178214	4	terminal
40	2.1011.105.2	2	nut m 8 p.1.25
45	0.017.0739.0	1	bracket
46	2.6560.018.0	1	rubber plug 22x5

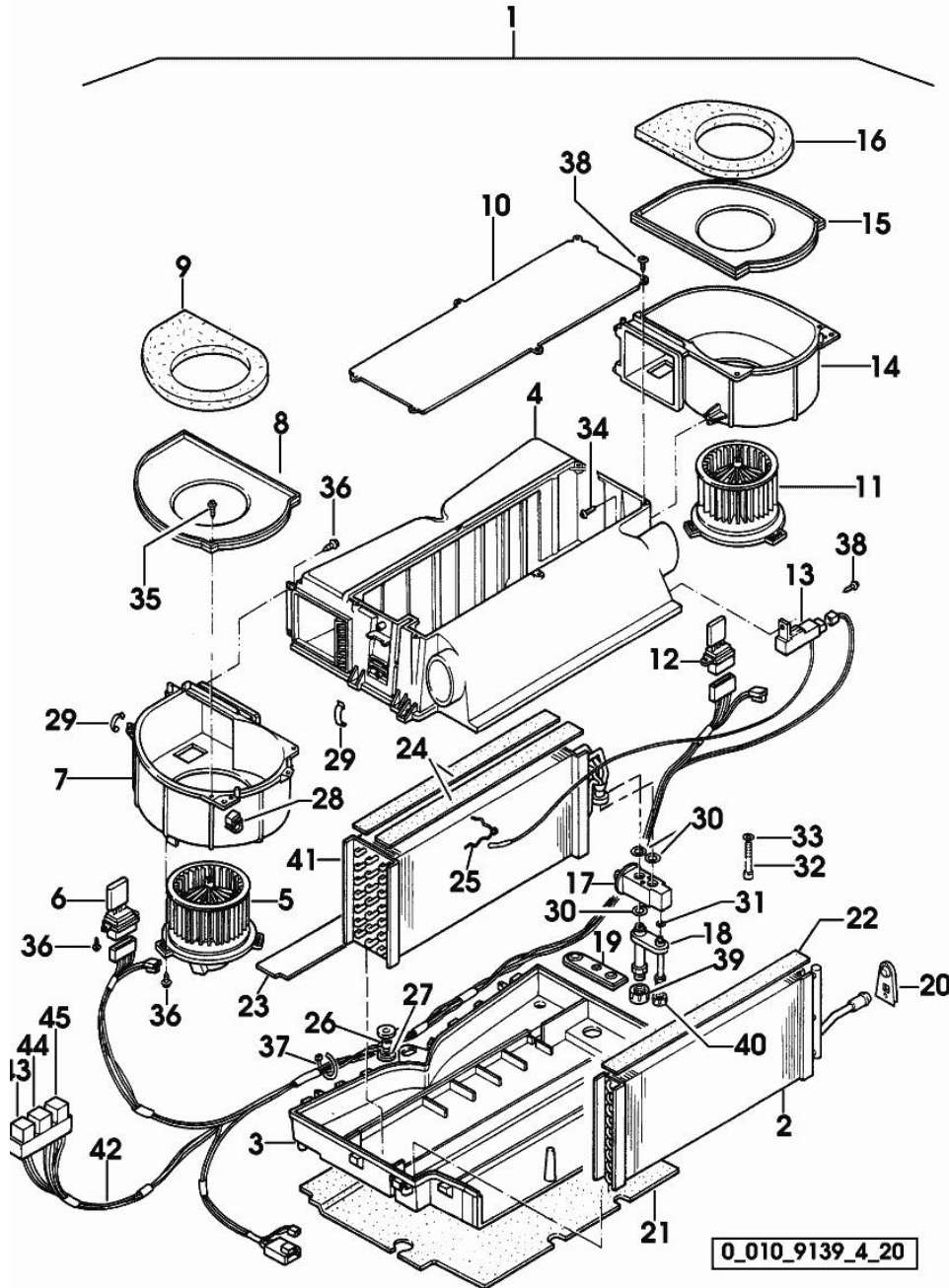
AIR CONDITIONER PARTS



0_010_9139_4_20

Fig.	P/n	QTY	Name
1	0.010.9139.4/20	1	climate control sys.
2	0.010.2534.0	1	radiator
3	0.010.2534.1	1	box
4	0.010.2534.2	1	box
5	0.010.2535.0	1	fan
6	0.010.2535.1	1	resistance
7	0.010.2535.2	1	cover dx/rh/re
8	0.010.2536.0	1	duct dx/rh/re
9	0.010.2536.1	1	gasket dx/rh/re
10	0.010.2536.2	1	cover
11	0.010.2537.0	1	fan
12	0.010.2535.1	1	resistance
13	0.010.2537.1	1	thermostat
14	0.010.2537.2	1	cover sx/lh/li
15	0.010.2538.0	1	duct sx/lh/li
16	0.010.2538.1	1	gasket sx/lh/li
17	0.010.2091.0	1	valve R 134
18	0.010.2538.2	1	pipe fitting
19	0.010.2539.0	1	gasket
20	0.010.2539.1	1	gasket
21	0.010.2539.2	1	gasket
22	0.010.2540.0	1	gasket
23	0.010.2540.1	1	division
24	0.010.2540.0	2	gasket
25	0.010.2540.2	1	clip
26	0.98538.71.1	1	spacer
27	0.010.2541.0	2	rubber plug
28	0.010.2541.1	4	clip
29	0.010.2541.2	11	clip
30	0.010.2128.1	3	gasket
31	0.010.2542.0	1	special oil seal
32	0.010.2542.1	2	screw m 6 x 50
33	0.010.2542.2	2	washer 6, d128
34	0.010.2543.0	2	screw m 3.5x16
35	0.010.2543.1	4	screw m 2.9x9.5
36	0.010.2543.2	14	screw m 3.5x12
37	0.010.2544.0	3	clamp
38	0.010.2543.2	5	screw m 3.5x12
39	0.010.2544.1	1	plug
40	0.010.2544.2	1	plug
41	0.010.2045.0	1	radiator
42	0.010.2562.2	1	electric cable
43	0.010.3317.2	1	relay 15A NA BROWN

AIR CONDITIONER PARTS



0_010_9139_4_20

Fig.	P/n	QTY	Name
44	0.010.3318.0	1	relay 20A NA WHITE
45	0.900.0049.4	1	relay 20A NA BLACK

AIR CONDITIONER PARTS

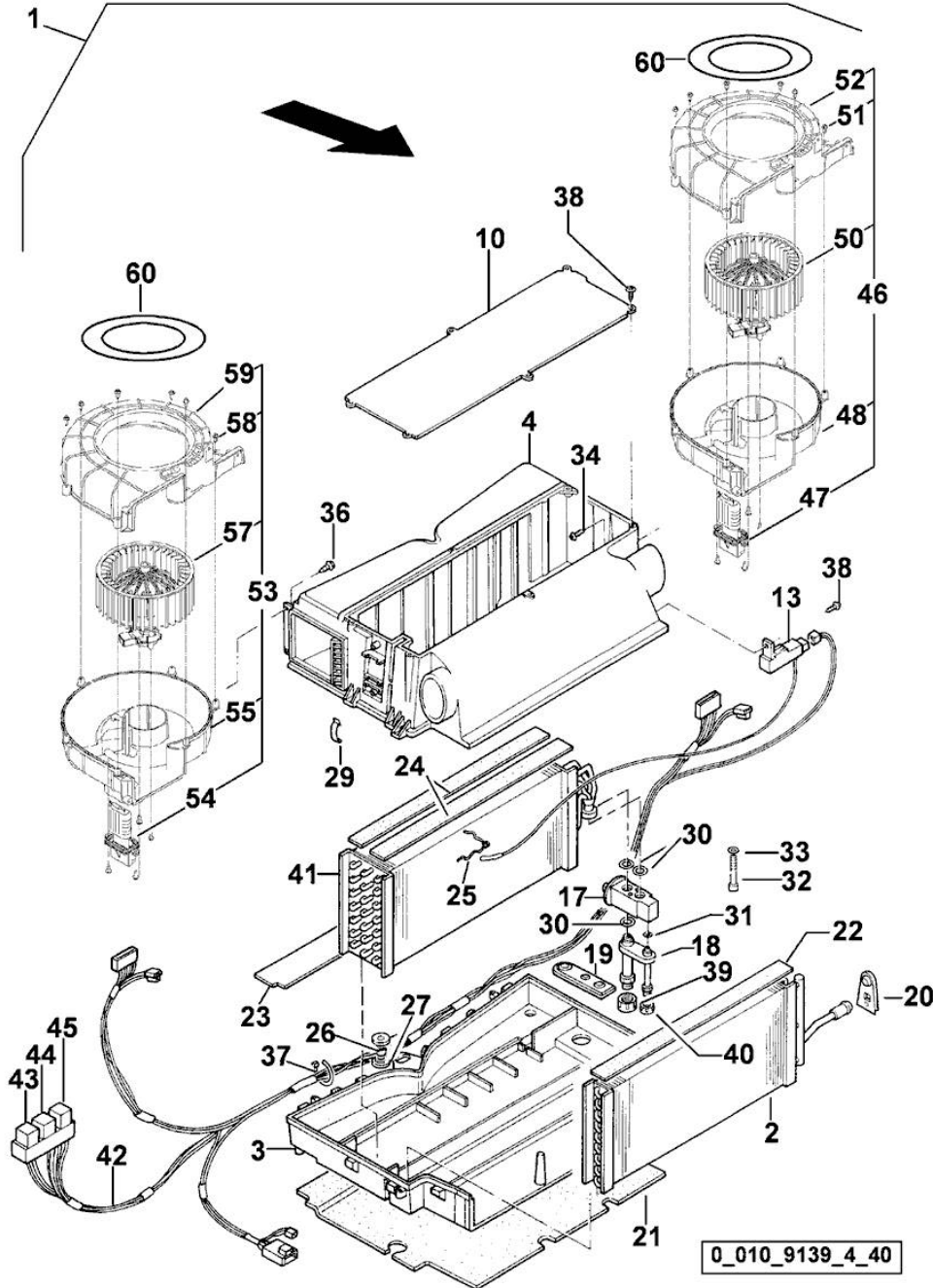


Fig.	P/n	QTY	Name
1	0.010.9139.4/40	1	climate control sys.
2	0.900.0784.0	1	radiator
3	0.010.2534.1	1	box
4	0.010.2534.2	1	box
10	0.010.2536.2	1	cover
13	0.010.2537.1	1	thermostat
17	0.010.2091.0	1	valve R 134
18	0.010.2538.2	1	pipe fitting
19	0.010.2539.0	1	gasket
20	0.010.2539.1	1	gasket
21	0.010.2539.2	1	gasket
22	0.010.2540.0	1	gasket
23	0.010.2540.1	1	division
24	0.010.2540.0	2	gasket
25	0.010.2540.2	1	clip
26	0.98538.71.1	1	spacer
27	0.010.2541.0	2	rubber plug
29	0.010.2541.2	11	clip
30	0.010.2128.1	3	gasket
31	0.010.2542.0	1	special oil seal
32	0.010.2542.1	2	screw m 6 x 50
33	0.010.2542.2	2	washer 6, d128
34	0.010.2543.0	2	screw m 3.5x16
36	0.010.2543.2	14	screw m 3.5x12
37	0.010.2544.0	3	clamp
38	0.010.2543.2	5	screw m 3.5x12
39	0.010.2544.1	1	plug
40	0.010.2544.2	1	plug
41	0.900.0783.9	1	radiator
42	0.900.0783.8	1	electric cable
43	0.010.3317.2	1	relay 15A NA BROWN
44	0.010.3318.0	1	relay 20A NA WHITE
45	0.900.0049.4	1	relay 20A NA BLACK
46	0.000.0000.1	1	cannot be supplied
47	0.010.2535.1	1	resistance
48	0.900.2350.4	1	screw conveyor
50	0.900.0035.3	1	fan dx/rh/re WHITE
51	0.900.0782.2	10	screw 4 x 12
52	0.900.0782.0	1	screw conveyor
53	0.000.0000.1	1	cannot be supplied

AIR CONDITIONER PARTS

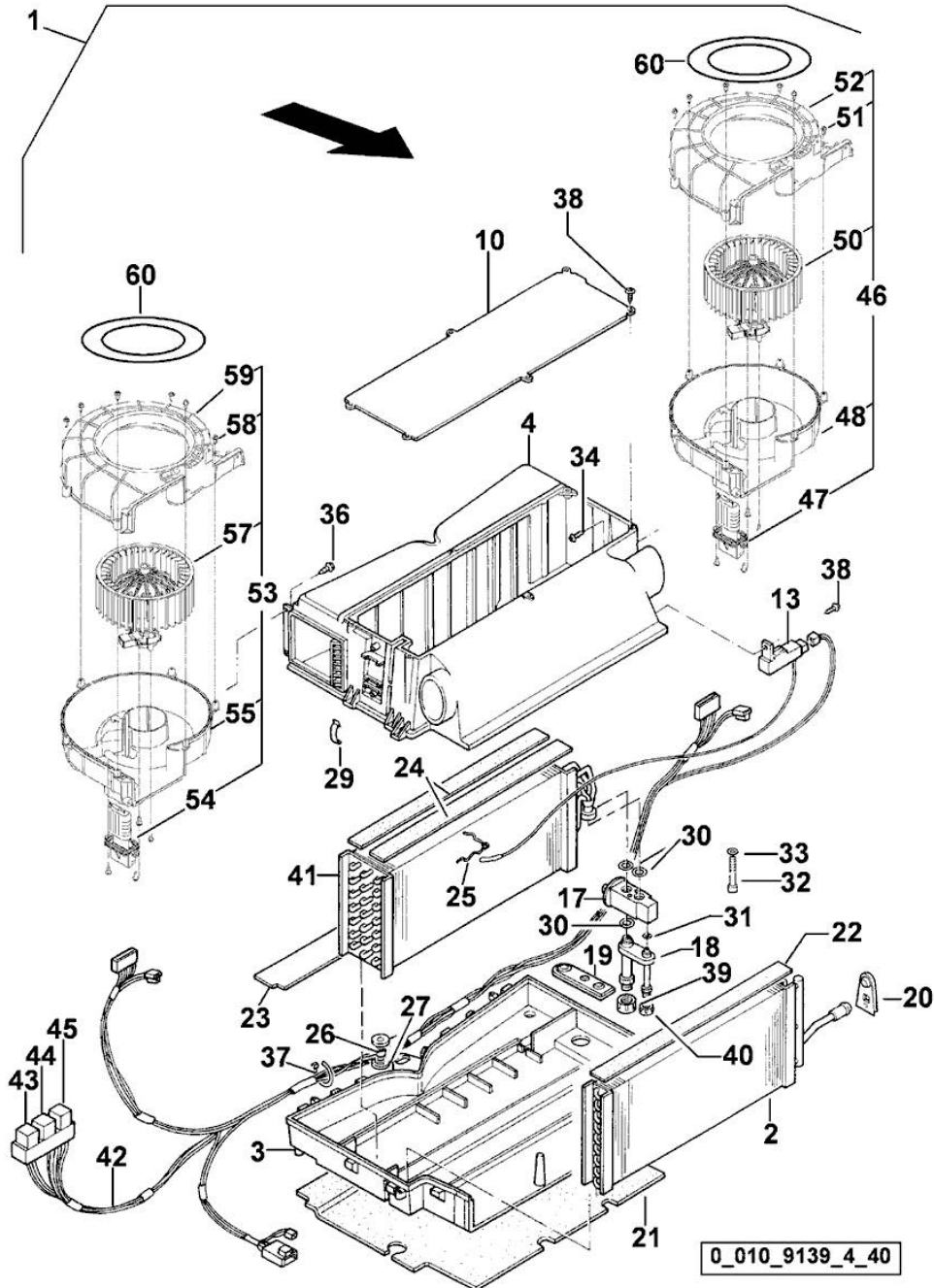


Fig.	P/n	QTY	Name
54	0.900.0782.4	1	resistance
55	0.900.0967.7	1	screw conveyor
57	0.900.0035.4	1	fan sx/lh/li GREEN
58	0.900.0782.2	10	screw 4 x 12
59	0.900.0967.9	1	screw conveyor
60	0.900.0783.4	1	gasket

0_010_9139_4_40

AIR CONDITIONER PARTS

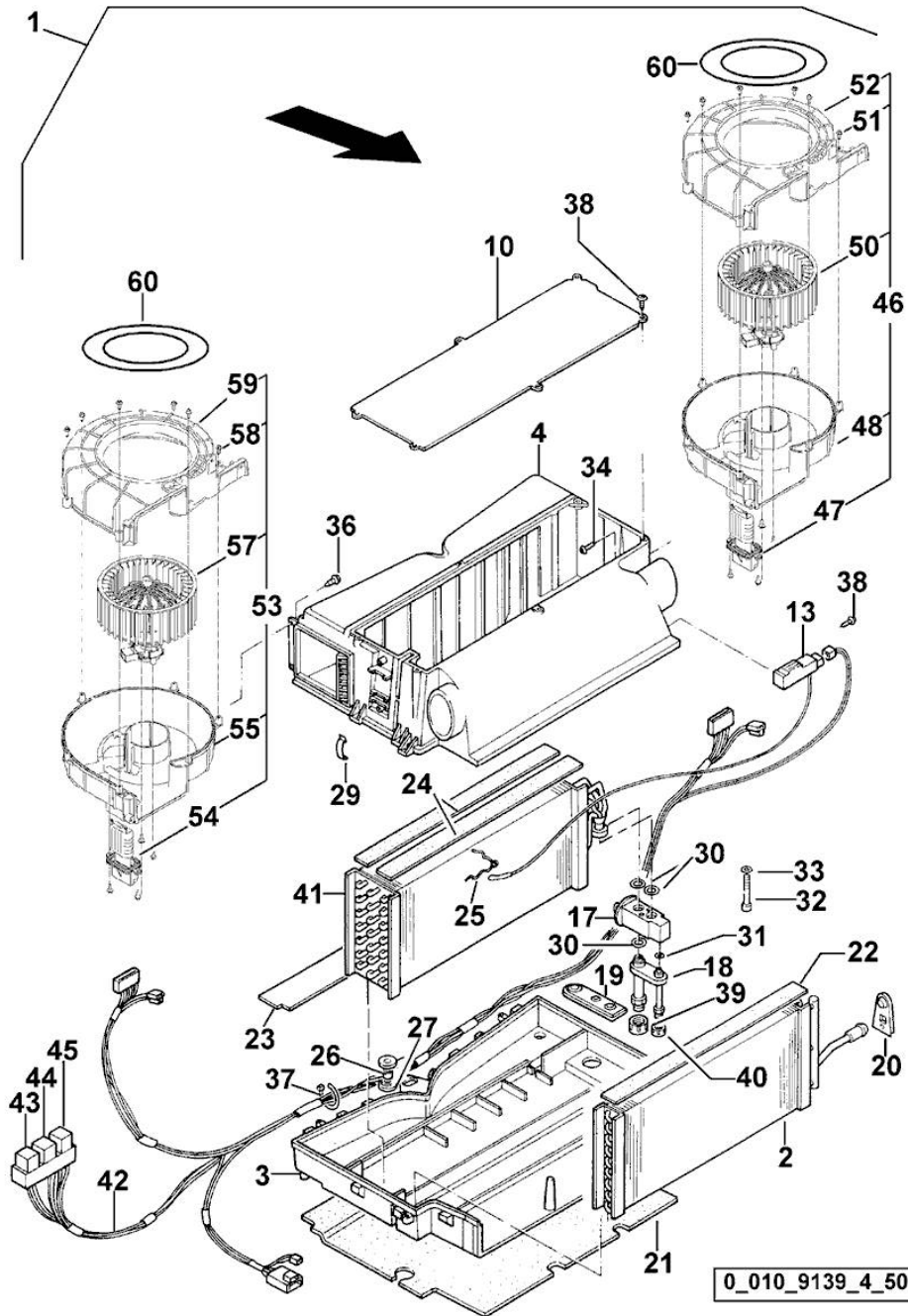


Fig.	P/n	QTY	Name
1	0.010.9139.4/50	1	air-conditioning sys.
2	0.900.0784.0	1	radiator
3	0.010.2534.1	1	box
4	0.010.2534.2	1	box
10	0.010.2536.2	1	cover
13	0.900.0793.4	1	thermostat
17	0.010.2091.0	1	valve R 134
18	0.010.2538.2	1	pipe fitting
19	0.010.2539.0	1	gasket
20	0.010.2539.1	1	gasket
21	0.010.2539.2	1	gasket
22	0.010.2540.0	1	gasket
23	0.010.2540.1	1	division
24	0.010.2540.0	2	gasket
25	0.010.2540.2	1	clip
26	0.98538.71.1	1	spacer
27	0.010.2541.0	2	rubber plug
29	0.010.2541.2	11	clip
30	0.010.2128.1	3	gasket
31	0.010.2542.0	1	special oil seal
32	0.010.2542.1	2	screw m 6 x 50
33	0.010.2542.2	2	washer 6, d128
34	0.010.2543.0	2	screw m 3.5x16
36	0.010.2543.2	14	screw m 3.5x12
37	0.010.2544.0	3	clamp
38	0.010.2543.2	5	screw m 3.5x12
39	0.010.2544.1	1	plug
40	0.010.2544.2	1	plug
41	0.900.0783.9	1	radiator
42	0.900.0783.8	1	electric cable
43	0.010.3317.2	1	relay 15A NA BROWN
44	0.010.3318.0	1	relay 20A NA WHITE
45	0.900.0049.4	1	relay 20A NA BLACK
46	0.000.0000.1	1	cannot be supplied
47	0.010.2535.1	1	resistance
48	0.900.2350.4	1	screw conveyor
50	0.900.0035.3	1	fan dx/rh/re WHITE
51	0.900.0782.2	10	screw 4 x 12
52	0.900.0782.0	1	screw conveyor
53	0.000.0000.1	1	cannot be supplied

Buy Now



Our support email:

ebooklibonline@outlook.com