

Section: ENGINE

CRANKCASE

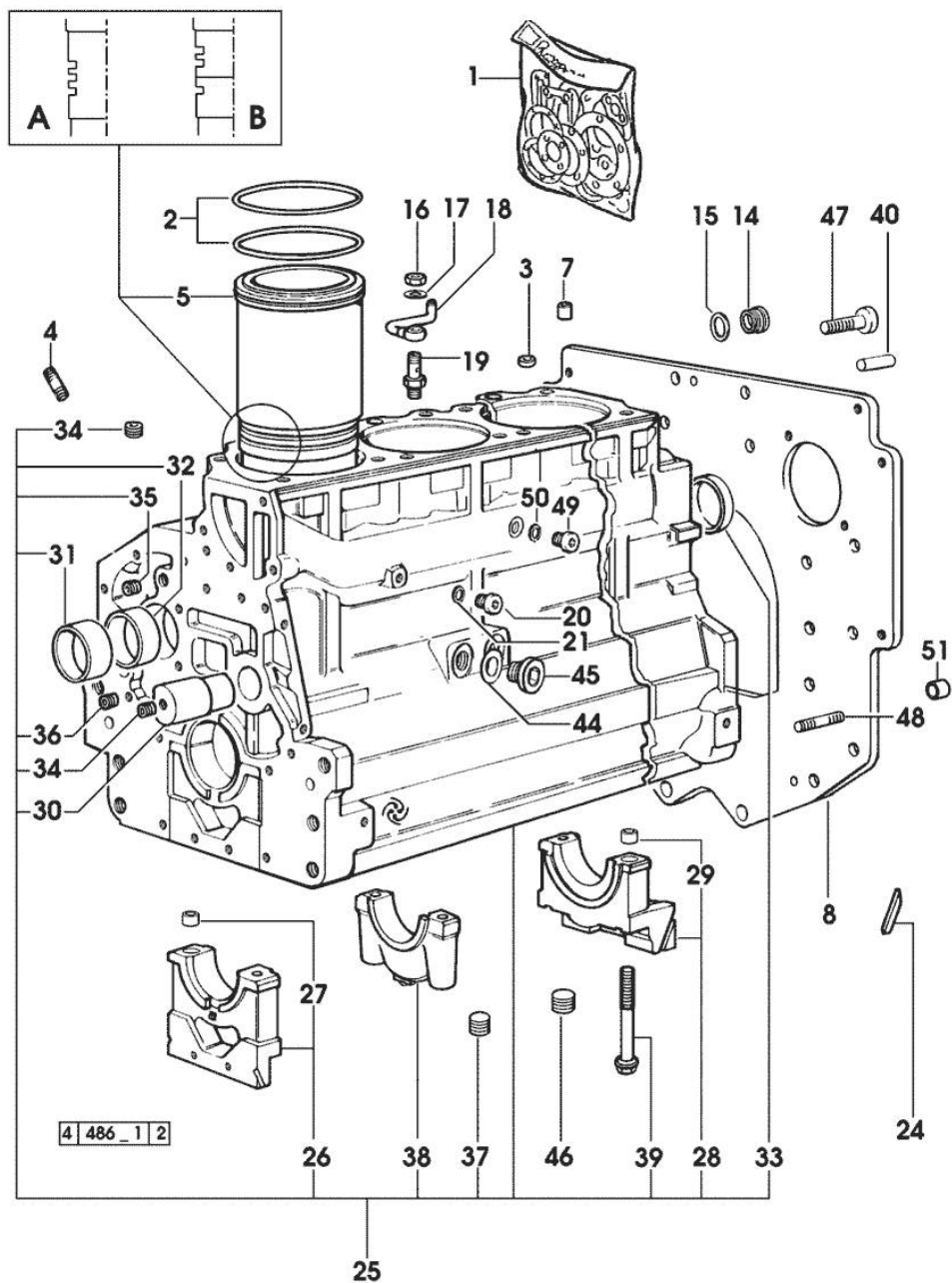


Fig.	P/n	QTY	Name
Notes:			
[C 874-90 Turbo Ergomatic]			
1	0.089.0050.6	1	gasket set - X C 674-70 - C 774-80 - FOR ENGINE MOUNTING
1	0.090.0050.6	1	gasket set - X C 874-90 T - FOR ENGINE MOUNTING
2	2.1519.096.0/20	12	special oil seal 107.67x1.78 24865 <= X C 674-70 24955 <= X C 774-80 6848 <= X C 874-90T
2	2.1539.193.0	8	special oil seal 107.62x2.62 => 24866 X C 674-70 => 24956 X C 774-80 => 6849 X C 874-90T
3	2.1559.188.2	4	bush 11.4 x 14 x16
4	2.0432.003.7	12	stud bolt m 8 p.1.25 / p.1 x 20
5	0.009.7500.0/10	4	engine cylinder 17701 <= X C 674-70 17701 <= X C 774-80 1852 <= X C 894-90T
5	0.011.0582.0	4	engine cylinder = B => 17702 - 24865 <= X C 674-70 => 17702 - 24955 <= X C 774-80 => 1853 - 6848 <= X C 874-90T
5	0.A12.2675.0	4	engine cylinder "A" => 24866 X C 674-70 => 24956 X C 774-80 => 6849 X C 874-90T
5	0.B12.2675.0	4	engine cylinder "B" => 24866 X C 674-70 => 24956 X C 774-80 => 6849 X C 874-90T
7	2.1549.154.2	4	bush 4.8x5.8x16
8	0.007.9137.0	1	flange -> (...)
8	0.065.1164.0/20	1	flange (...)<-
14	2.3199.405.2	1	plug m 28 p.1.5
15	2.1539.047.0	1	special oil seal 26.7x1.78
16	2.1099.108.2	4	special nut m 10 p.1

CRANKCASE

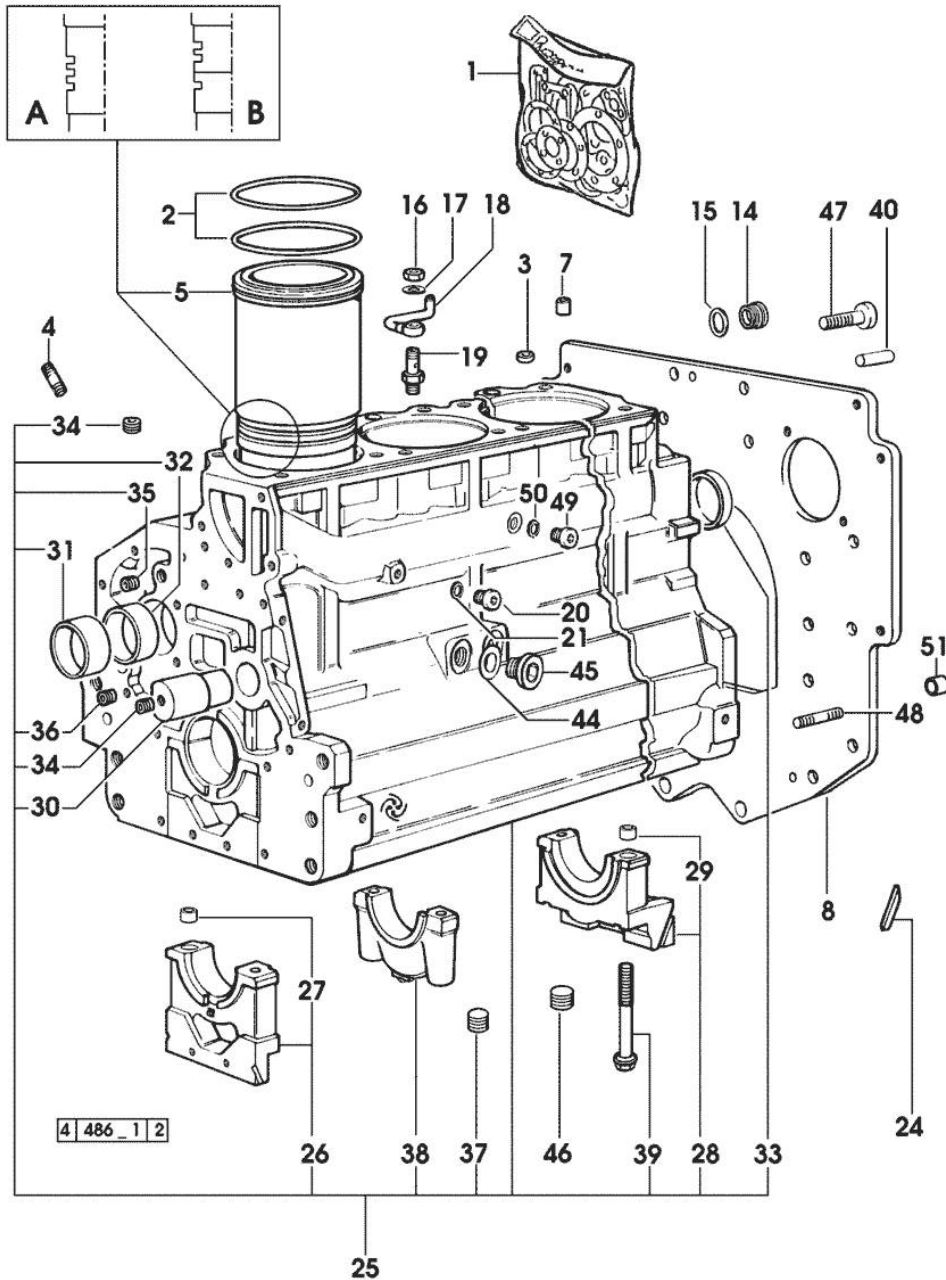


Fig.	P/n	QTY	Name
17	2.1560.006.0	8	gasket 10.2 x 16
18	0.086.1550.2	4	sprayer nozzle
19	0.065.1160.3/20	4	valve
20	2.3199.292.0	1	plug 1/4" gas
21	2.1560.010.0	1	gasket 14.2 x 20
24	0.066.1152.0/10	4	gasket
25	0.082.1110.6/20	1	crankcase * 24865 <= X C 674-70 * 24955 <= X C 774-80 * 6848 <= X C 874-90T - N.4 011.0183.0/10 - N.8 2.1539.193.0
26	0.065.1112.7	1	support
27	2.1699.165.0	1	bush 12.3x15x16
28	0.065.1116.3	1	support
29	2.1699.165.0	1	bush 12.3x15x16
30	0.066.1151.0	1	pin
31	0.065.1141.0	1	special bushing 59X55X30
32	0.065.1140.0	4	special bushing 59X55X20
33	2.3179.012.0	1	plug 60
34	2.3130.001.1	11	plug 1/8" gas
35	2.3130.002.1	2	plug 1/4" gas
36	2.3130.003.1	5	plug 3/8" gas
37	2.1324.011.0	1	plug
38	0.065.1114.0/10	3	support
39	0.065.1117.0	10	screw m 12 x 100
40	2.1651.912.0	2	cylindrical plug 12x28
44	2.1560.017.0	1	gasket 22.2 x 27
45	2.3120.002.4	1	plug m 22 x 1.5
46	2.3130.003.1	2	plug 3/8" gas
47	2.0112.511.2	8	screw m 14 p.2 x 30
48	2.0432.255.7	1	stud bolt m 12 p.1.75-1.25x25
48	2.0439.250.7	1	stud bolt m 12 / m 10 x 30
49	2.3120.101.0	1	plug m 18 p.1.5 => 24866 X C 674-70 => 24956 X C 774-80 => 6849 X C 874-90T
50	2.1560.014.0	1	washer 18.2 x 24
51	0.011.9294.0/10	1	bush

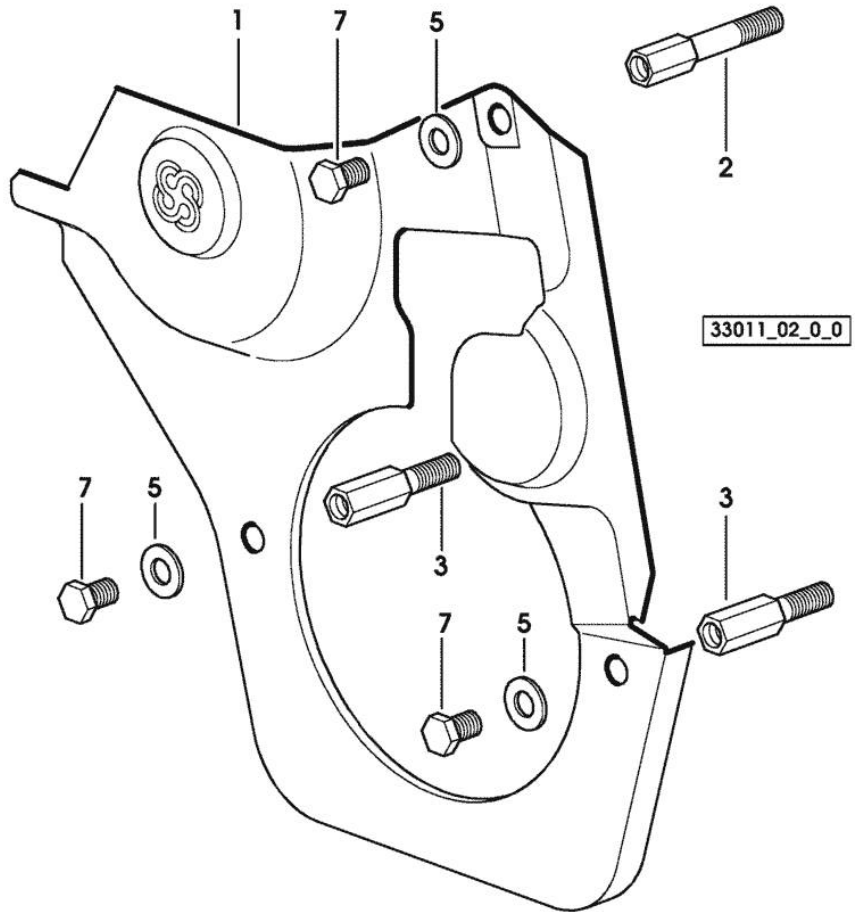
TIMING CASE

Fig.	P/n	QTY	Name
------	-----	-----	------

Notes:

[C 874-90 Turbo Ergomatic]

1	0.007.1262.3/50	1	guard
2	0.007.1271.0/10	1	small column m 8 p.1.25 / L = mm 60
3	0.007.1272.0/10	2	small column m 8 p.1.25 / L = mm 50
5	2.1310.004.2	3	flat washer 8.4x17
7	2.0112.205.2	3	screw m 8 p.1.25 x 16



Section: ENGINE

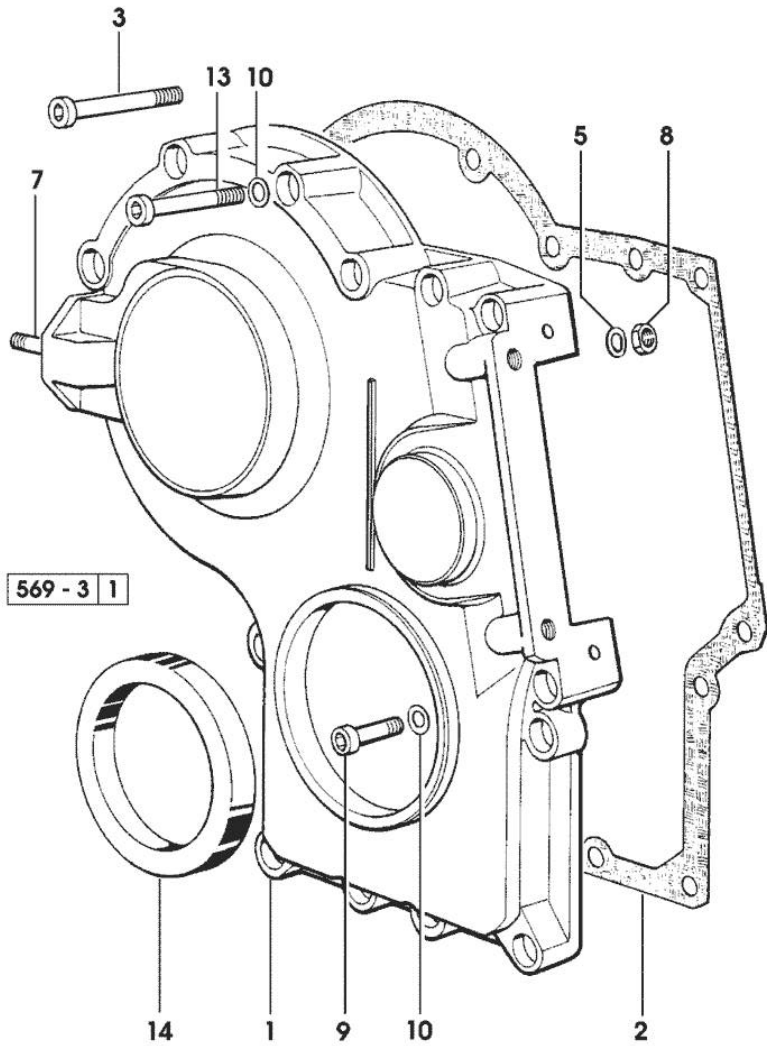
TIMING CASE

Fig.	P/n	QTY	Name
------	-----	-----	------

Notes:

[C 874-90 Turbo Ergomatic]

1	0.065.1132.0/60	1	guard
2	0.065.1150.0/30	1	gasket
3	2.0312.219.2	4	screw m 8 p.1.25x65
5	2.1470.004.2	4	lock washer 8
7	2.0432.003.7	2	stud bolt m 8 p.1.25 / p.1 x 20
8	2.1011.405.2	2	nut m 8 p.1
9	2.0312.208.2	8	screw m 8 p.1.25 x 25
10	2.1480.014.1	15	washer 8
13	2.0312.214.2	3	screw m 8 p.1.25 x 40
14	2.1529.141.0	1	special oil seal



Section: ENGINE

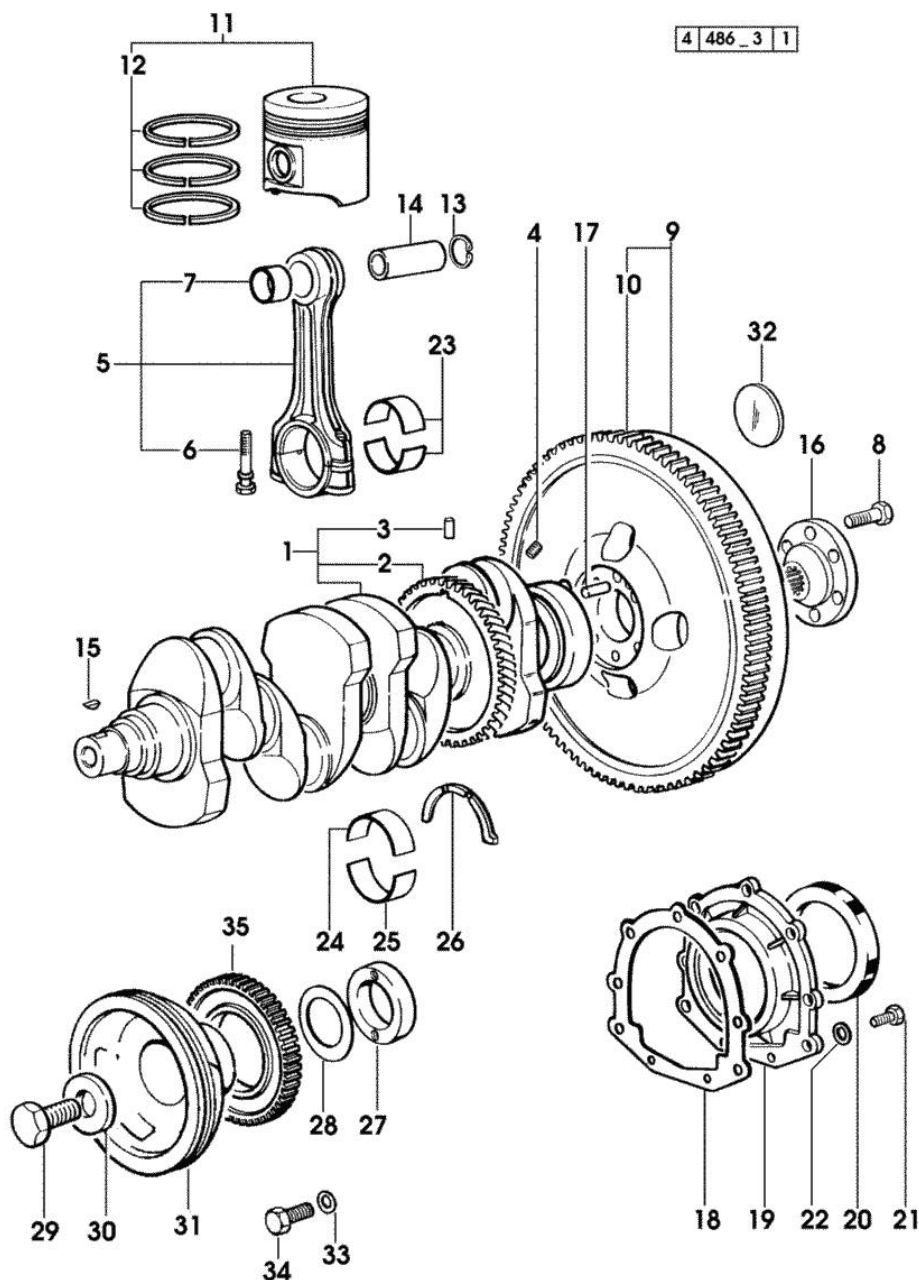
CRANKSHAFT

Fig.	P/n	QTY	Name
------	-----	-----	------

Notes:

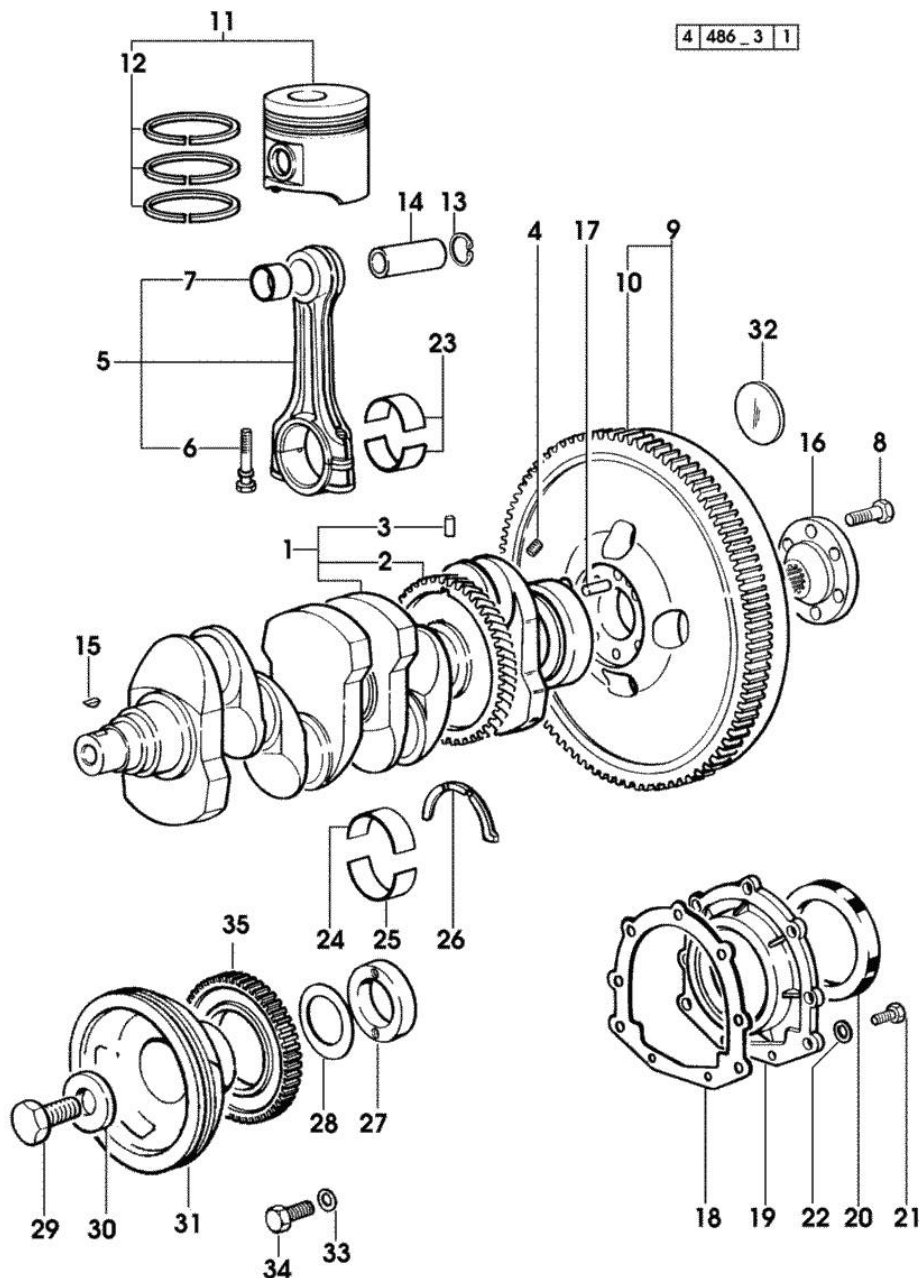
[C 874-90 Turbo Ergomatic]

1	0.086.1210.3/30	1	crankshaft * (...) <- - N.1 - 007.1711.0/10
2	0.065.1211.0/10	1	crown wheel
3	2.1630.608.0	1	pin 6x16
4	2.3130.001.1	4	plug 1/8" gas
5	0.078.1220.3/30	4	engine connecting rod
6	2.0399.213.0	8	screw m 12 p.1.25x61.5
7	2.1559.114.0/10	4	special bushing
8	2.0139.022.2	6	screw m 12 p.1.25x55
9	0.066.1247.3/20	1	flywheel
10	0.065.1242.0	1	crown wheel Z = 123
11	0.086.0060.6/30	4	complete piston 30080 <= X C 674-70 30463 <= X C 774-80
11	0.087.0060.6/30	4	complete piston 8736 <= X C 874-90T
11	0.379.0060.6	4	complete piston => 30081 - (...) <= X C 674-70 => 30464 - (...) <= X C 774-80
11	0.379.0060.A	4	complete piston "A" => (...) X C 674-70 -C 774-80
11	0.379.0060.B	4	complete piston "B" => (...) X C 674-70 -C 774-80
11	0.382.0060.6	4	complete piston => 8737 - (...) <= X C 874-90T
11	0.382.0060.A	4	complete piston "A" => (...) X C 894-90T
11	0.382.0060.B	4	complete piston "B" => (...) X C 894-90T
12	0.081.0090.6/10	4	piston ring set - X C 874-90 T
12	0.086.0052.6/10	4	piston ring set - X C 674-70 - C 774-80
13	2.1411.014.1	8	circlip 35
14	0.078.1236.0	4	piston pin Ø 18 / Ø 35 / L = mm 86
15	2.1720.006.0	2	key 4x6.5
16	0.255.2525.0/10	1	flange
17	2.1652.915.0	1	cylindrical plug 12x35
18	0.065.1254.0/20	1	gasket
19	0.007.1711.0/10	1	cover



CRANKSHAFT

Fig.	P/n	QTY	Name
			-> (...)
19	0.065.1253.0/20	1	cover
			(...) <-
20	2.1529.073.0	1	special oil seal 110x130x13
21	2.0112.207.2	9	screw m 8 p 1.25 x 20
22	2.1475.002.2	9	conical washer 8
23	0.065.1225.0	8	con.rod half bushing STANDARD - A = 28.75 -> 29.00
23	0.065.1225.7		con.rod half bushing - mm 0.25
23	0.065.1225.8		con.rod half bushing - mm 0.50
24	0.065.1215.0	5	main half bushing STANDARD
24	0.065.1215.7		main half bushing - mm 0.25
24	0.065.1215.8		main half bushing - mm 0.50
25	0.065.1216.0	5	main half bushing
25	0.065.1216.7		main half bushing - mm 0.25
25	0.065.1216.8		main half bushing - mm 0.50
26	0.065.1218.0	4	shim STANDARD
26	0.065.1218.7		shim + mm 0.10
26	0.065.1218.8		shim + mm 0.15
27	0.085.1248.0/10	1	hub
28	2.1589.189.0	2	shoulder ring mm 1.00
29	2.0399.144.7/10	1	screw m 20 p.1.5x51
30	2.1599.524.7	1	washer 21x60x12
31	0.007.1457.0/20	1	pulley
32	2.3199.135.2	1	plug
33	2.1470.006.2	6	lock washer 10
34	2.0112.320.2	6	screw m 10 p.1.5 x 55
35	0.011.3531.0	1	gear Z = 48

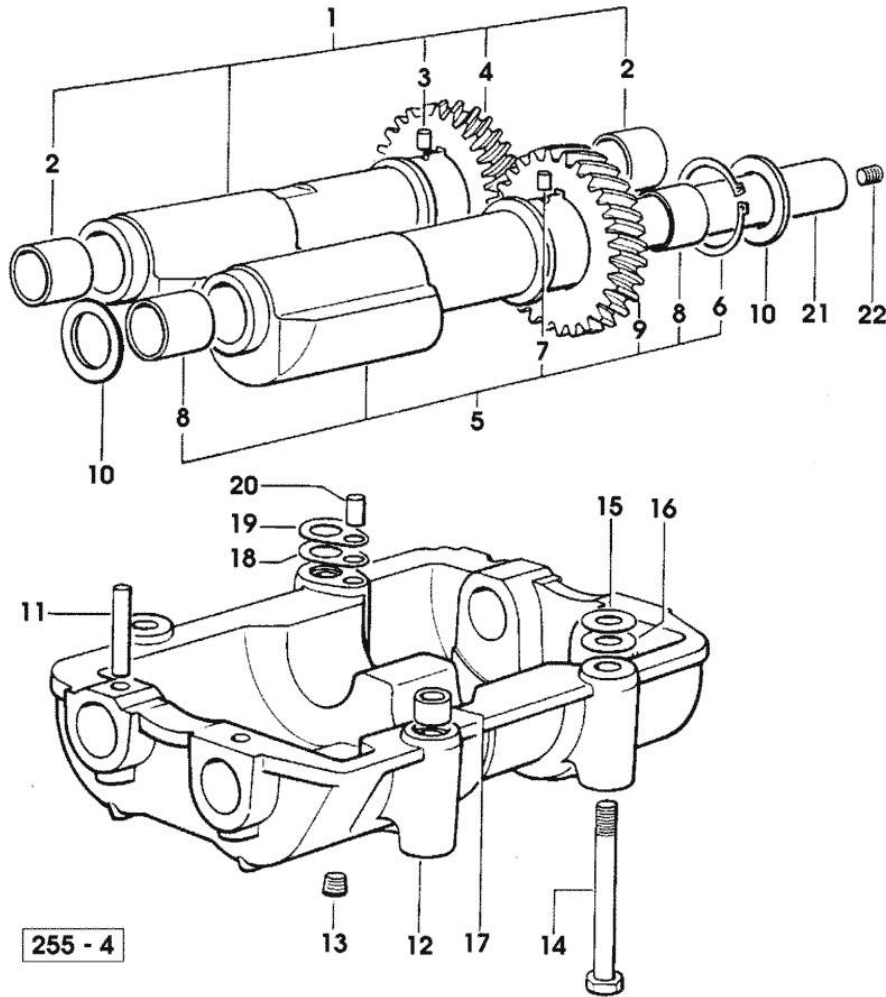


Section: ENGINE
COUNTERWEIGHTS

Fig.	P/n	QTY	Name
------	-----	-----	------

Notes:
 [C 874-90 Turbo Ergomatic]

1	0.086.1233.3/30	1	mass sx/lh/li
2	2.1559.115.0	2	special bushing 26x30x30
3	2.1652.302.0	1	roll pin 4x6
4	0.000.0000.1		cannot be supplied
5	0.065.1233.3/30	1	mass dx/rh/re
6	2.1410.018.7	1	circlip 45
7	2.1652.302.0	1	roll pin 4x6
8	2.1559.115.0	2	special bushing 26x30x30
9	0.000.0000.1		cannot be supplied
10	2.1589.185.0	4	shoulder ring 26.1x34x1
11	2.1631.717.0	2	roll pin 8 x 40
12	0.086.1231.0/10	1	box
13	2.3130.001.1	4	plug 1/8" gas
14	2.0139.028.2	4	screw m 12
15	2.1579.628.0	2	spacer 16.5x26x0.1
15	2.1589.048.0	2	shoulder ring 16.5x26x0.3
16	2.1579.629.0	2	spacer 12.5x26x0.1
16	2.1589.049.0	2	shoulder ring 12.5x26x0.3
17	2.1579.626.0	2	spacer 13.2x16x11
18	2.1589.139.0	2	shoulder ring mm 0.3
19	2.1589.140.0	2	shoulder ring mm 0.1
20	2.1699.191.0	1	bush 7x10x16
21	0.065.1234.0/10	2	shaft
22	2.3130.001.1	2	plug 1/8" gas



Buy Now



Our support email:

ebooklibonline@outlook.com