

PLUG

| Fig. | P/n | QTY | Name |
|------|-----|-----|------|
|------|-----|-----|------|

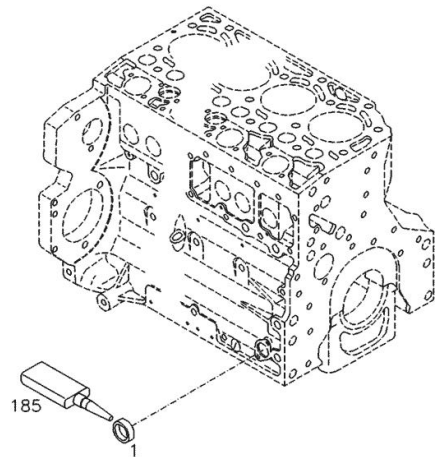
Notes:

[DIAMOND 215]

Engine serial number:

816464 816465 816466 816467 816468 816469 816470 816471 816472 816473 816474 816475 816476 816477 816478
 822027 822028 822029 822030 822031 851583 851584 851585 851586 851587 851588 851589 851590 851591 851592
 860180 860181 860182 860183 860184 860185 860186 860187 860188 860189 864795 864796 864797 864798 864799
 864800 864801 864802 864803 864804 864805 864806 864807 864808 864809 867821 867822 867823 867824 867825
 867826 867827 867828 867880 867881 867882 867883 867884 867885 867886 875975 875976 875977 875978 875979
 875980 875981 875982 875983 875984 883442 883443 883444 883445 883446 883447 883448 883449 883450 883451
 889463 889464 889465 889466 889467 890200 890201 890202 890203 890204 896310 896311 896312 896313 896314
 896315 939181 939182 939183 939184 939185 939617 939618 939619 939620 939621 939622 939623 939624 939625
 939626 945151 952435 952436 952437 952438 952439 953583 953584 953585 953586 953587 953588 953589 953590
 953591 953592 953593 953594 953595 968826 968827 968828 968829 968830 968831 968832 977600 1007060
 1007061 1007062 1014753 1024747 1024748 1026606 1026607 1029856 1029857 1029858 1030623 1030624 1030625
 1039991 1039992 1039993 1039994 1039995 1039996 1039997 1039998 1039999 1040000

001



| | | | |
|-----|----------|---|---|
| 1 | 01179634 | 1 | plug H 2860 -A36-ST-FE/ZNPHR |
| 185 | 01016127 | 1 | sealing compound ml. 50 H 0699 -DEUTZDW72-50ML |

Section: ENGINE
FASTENINGS

| Fig. | P/n | QTY | Name |
|------|-----|-----|------|
|------|-----|-----|------|

Notes:

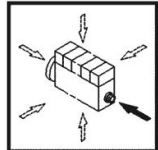
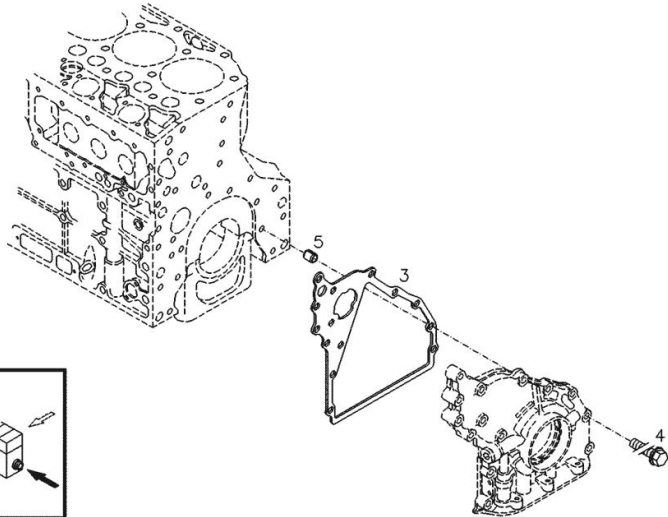
[DIAMOND 215]

Engine serial number:

816464 816465 816466 816467 816468 816469 816470 816471 816472 816473 816474 816475 816476 816477 816478
 822027 822028 822029 822030 822031 851583 851584 851585 851586 851587 851588 851589 851590 851591 851592
 860180 860181 860182 860183 860184 860185 860186 860187 860188 860189 864795 864796 864797 864798 864799
 864800 864801 864802 864803 864804 864805 864806 864807 864808 864809 867821 867822 867823 867824 867825
 867826 867827 867828 867880 867881 867882 867883 867884 867885 867886 875975 875976 875977 875978 875979
 875980 875981 875982 875983 875984 883442 883443 883444 883445 883446 883447 883448 883449 883450 883451
 889463 889464 889465 889466 889467 890200 890201 890202 890203 890204 896310 896311 896312 896313 896314
 896315 939181 939182 939183 939184 939185 939617 939618 939619 939620 939621 939622 939623 939624 939625
 939626 945151 952435 952436 952437 952438 952439 953583 953584 953585 953586 953587 953588 953589 953590
 953591 953592 953593 953594 953595 968826 968827 968828 968829 968830 968831 968832 977600 1007060
 1007061 1007062 1014753 1024747 1024748 1026606 1026607 1029856 1029857 1029858 1030623 1030624 1030625
 1039991 1039992 1039993 1039994 1039995 1039996 1039997 1039998 1039999 1040000

001

| | | | |
|---|----------|----|------------------------------------|
| 3 | 04204450 | 1 | gasket |
| 4 | 01143362 | 14 | screw EN 1662 -F-M8X35-10.9-A4C |
| 5 | 01181406 | 1 | bushing H 2341 -B11X8-FE/ZN12C* |



0507 0381

OIL PRESSUR.SWITCH

| Fig. | P/n | QTY | Name |
|------|-----|-----|------|
|------|-----|-----|------|

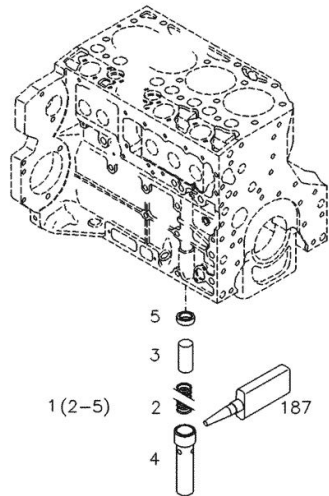
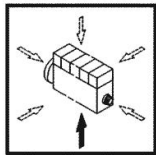
Notes:

[DIAMOND 215]

Engine serial number:

816464 816465 816466 816467 816468 816469 816470 816471 816472 816473 816474 816475 816476 816477 816478
 822027 822028 822029 822030 822031 851583 851584 851585 851586 851587 851588 851589 851590 851591 851592
 860180 860181 860182 860183 860184 860185 860186 860187 860188 860189 864795 864796 864797 864798 864799
 864800 864801 864802 864803 864804 864805 864806 864807 864808 864809 867821 867822 867823 867824 867825
 867826 867827 867828 867880 867881 867882 867883 867884 867885 867886 875975 875976 875977 875978 875979
 875980 875981 875982 875983 875984 883442 883443 883444 883445 883446 883447 883448 883449 883450 883451
 889463 889464 889465 889466 889467 890200 890201 890202 890203 890204 896310 896311 896312 896313 896314
 896315 939181 939182 939183 939184 939185 939617 939618 939619 939620 939621 939622 939623 939624 939625
 939626 945151 952435 952436 952437 952438 952439 953583 953584 953585 953586 953587 953588 953589 953590
 953591 953592 953593 953594 953595 968826 968827 968828 968829 968830 968831 968832 977600 1007060
 1007061 1007062 1014753 1024747 1024748 1026606 1026607 1029856 1029857 1029858 1030623 1030624 1030625
 1039991 1039992 1039993 1039994 1039995 1039996 1039997 1039998 1039999 1040000

002 ©



| | | | |
|-----|----------|---|---------------------------------------|
| 1 | 04207119 | 1 | valve WITH ITEM (2-5) |
| 2 | 04200782 | 1 | spring |
| 3 | 04207120 | 1 | piston |
| 4 | 04207121 | 1 | spacer |
| 5 | 04201794 | 1 | ring |
| 187 | 01016123 | 1 | small plate H 0699 -DEUTZDW71-50ML |

OIL FILLER NECK

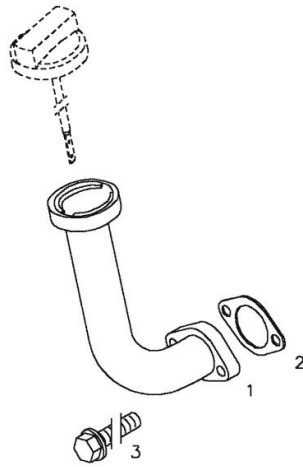
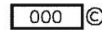
| Fig. | P/n | QTY | Name |
|------|-----|-----|------|
|------|-----|-----|------|

Notes:

[DIAMOND 215]

Engine serial number:

816464 816465 816466 816467 816468 816469 816470 816471 816472 816473 816474 816475 816476 816477 816478
 822027 822028 822029 822030 822031 851583 851584 851585 851586 851587 851588 851589 851590 851591 851592
 860180 860181 860182 860183 860184 860185 860186 860187 860188 860189 864795 864796 864797 864798 864799
 864800 864801 864802 864803 864804 864805 864806 864807 864808 864809 867821 867822 867823 867824 867825
 867826 867827 867828 867880 867881 867882 867883 867884 867885 867886 875975 875976 875977 875978 875979
 875980 875981 875982 875983 875984 883442 883443 883444 883445 883446 883447 883448 883449 883450 883451
 889463 889464 889465 889466 889467 890200 890201 890202 890203 890204 896310 896311 896312 896313 896314
 896315 939181 939182 939183 939184 939185 939617 939618 939619 939620 939621 939622 939623 939624 939625
 939626 945151 952435 952436 952437 952438 952439 953583 953584 953585 953586 953587 953588 953589 953590
 953591 953592 953593 953594 953595 968826 968827 968828 968829 968830 968831 968832 977600 1007060
 1007061 1007062 1014753 1024747 1024748 1026606 1026607 1029856 1029857 1029858 1030623 1030624 1030625
 1039991 1039992 1039993 1039994 1039995 1039996 1039997 1039998 1039999 1040000



| | | | |
|---|----------|---|---|
| 1 | 04207099 | 1 | tube |
| 2 | 01178421 | 1 | gasket DIN 71511 -35X58X1,5-DEUTZFW31 |
| 3 | 01181433 | 2 | screw EN 1662 -F-M8X20-LG2,5-10.9-ZNAL-A |

CRANKCASE BREATHER

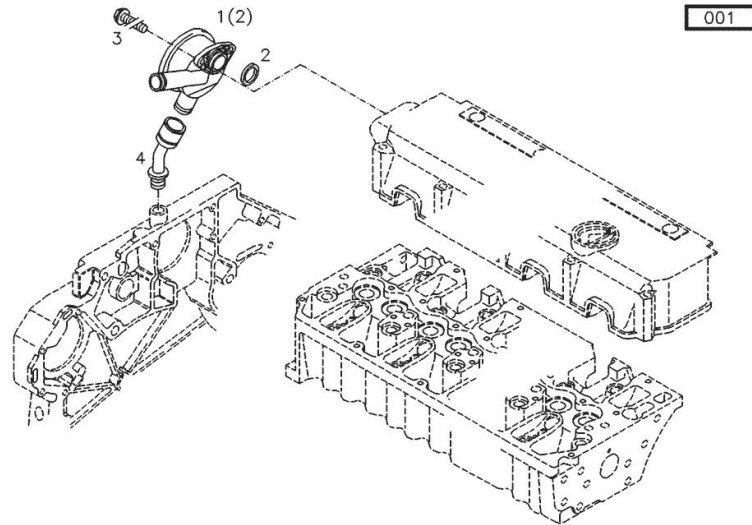
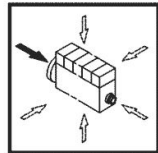
| Fig. | P/n | QTY | Name |
|------|-----|-----|------|
|------|-----|-----|------|

Notes:

[DIAMOND 215]

Engine serial number:

816464 816465 816466 816467 816468 816469 816470 816471 816472 816473 816474 816475 816476 816477 816478
 822027 822028 822029 822030 822031 851583 851584 851585 851586 851587 851588 851589 851590 851591 851592
 860180 860181 860182 860183 860184 860185 860186 860187 860188 860189 864795 864796 864797 864798 864799
 864800 864801 864802 864803 864804 864805 864806 864807 864808 864809 867821 867822 867823 867824 867825
 867826 867827 867828 867880 867881 867882 867883 867884 867885 867886 875975 875976 875977 875978 875979
 875980 875981 875982 875983 875984 883442 883443 883444 883445 883446 883447 883448 883449 883450 883451
 889463 889464 889465 889466 889467 890200 890201 890202 890203 890204 896310 896311 896312 896313 896314
 896315 939181 939182 939183 939184 939185 939617 939618 939619 939620 939621 939622 939623 939624 939625
 939626 945151 952435 952436 952437 952438 952439 953583 953584 953585 953586 953587 953588 953589 953590
 953591 953592 953593 953594 953595 968826 968827 968828 968829 968830 968831 968832 977600 1007060
 1007061 1007062 1014753 1024747 1024748 1026606 1026607 1029856 1029857 1029858 1030623 1030624 1030625
 1039991 1039992 1039993 1039994 1039995 1039996 1039997 1039998 1039999 1040000



| | | | |
|---|----------|---|---------------------------------------|
| 1 | 04207651 | 1 | valve WITH ITEM (2) |
| 2 | 04207649 | 1 | ring |
| 3 | 01180218 | 2 | screw EN 1662 -F-M6X20-10.9-GESCHW |
| 4 | 04207290 | 1 | piping |

BLEEDING TUBE

| Fig. | P/n | QTY | Name |
|------|-----|-----|------|
|------|-----|-----|------|

Notes:

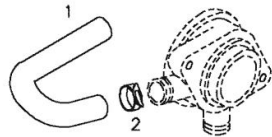
[DIAMOND 215]

Engine serial number:

816464 816465 816466 816467 816468 816469 816470 816471 816472 816473 816474 816475 816476 816477 816478
 822027 822028 822029 822030 822031 851583 851584 851585 851586 851587 851588 851589 851590 851591 851592
 860180 860181 860182 860183 860184 860185 860186 860187 860188 860189 864795 864796 864797 864798 864799
 864800 864801 864802 864803 864804 864805 864806 864807 864808 864809 867821 867822 867823 867824 867825
 867826 867827 867828 867880 867881 867882 867883 867884 867885 867886 875975 875976 875977 875978 875979
 875980 875981 875982 875983 875984 883442 883443 883444 883445 883446 883447 883448 883449 883450 883451
 889463 889464 889465 889466 889467 890200 890201 890202 890203 890204 896310 896311 896312 896313 896314
 896315

001 ©

| | | | |
|---|----------|---|----------------------------|
| 1 | 04198572 | 1 | tube |
| 2 | 01178750 | 3 | clamp DIN 3021 -A-29X15 |



PISTON COOL.NOZZLE

| Fig. | P/n | QTY | Name |
|------|-----|-----|------|
|------|-----|-----|------|

Notes:

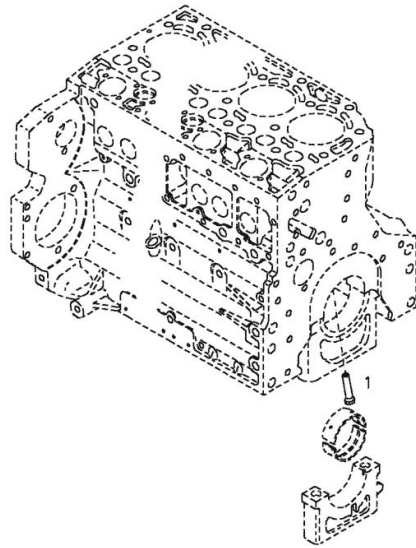
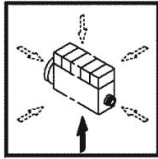
[DIAMOND 215]

Engine serial number:

816464 816465 816466 816467 816468 816469 816470 816471 816472 816473 816474 816475 816476 816477 816478
 822027 822028 822029 822030 822031 851583 851584 851585 851586 851587 851588 851589 851590 851591 851592
 860180 860181 860182 860183 860184 860185 860186 860187 860188 860189 864795 864796 864797 864798 864799
 864800 864801 864802 864803 864804 864805 864806 864807 864808 864809 867821 867822 867823 867824 867825
 867826 867827 867828 867880 867881 867882 867883 867884 867885 867886 875975 875976 875977 875978 875979
 875980 875981 875982 875983 875984 883442 883443 883444 883445 883446 883447 883448 883449 883450 883451
 889463 889464 889465 889466 889467 890200 890201 890202 890203 890204 896310 896311 896312 896313 896314
 896315

001 ©

| | | | |
|---|----------|---|----------|
| 1 | 04207521 | 1 | sprayers |
|---|----------|---|----------|



Buy Now



Our support email:

ebooklibonline@outlook.com