

**FASTENINGS**

Fig.	P/n	QTY	Name
------	-----	-----	------

**Notes:**

[DIAMOND 265]

**Engine serial number:**

984828 1027907 1042322 1047090 1047091 1047093 1053115 1053116 1054075 1054076 1062329 1064777 1080877  
 1080878 1080881 1092650 10021943 10024295 10026598 10026599 10028605 10030686 10050689 10050691  
 10050692 10058039 10058040 10058041 10058062 10059391 10059392 10059393 10059398 10062675 10062678  
 10062687 10079093 10079094 10092446 10092448 10097114 10097121 10101771 10101773 10101777 10101788  
 10101791 10102962 10102964 10102973 10102974 10102977 10102979 10102980 10102981 10144920 10144921  
 10144925 10148639 10151929 10159970 10159971 10159979 10162823 10233021 10233031 10654565 10902593  
 10907682 10907685



3	04910582	1	gasket
4	01143362	14	screw 5 Nm, 30 Nm consult workshop manual 5 Nm, 21 Nm consult workshop manual EN 1662 -F-M8X35-10.9-A4C
5	01181406	1	bushing H 2341 -B11X8-FE/ZN12C*

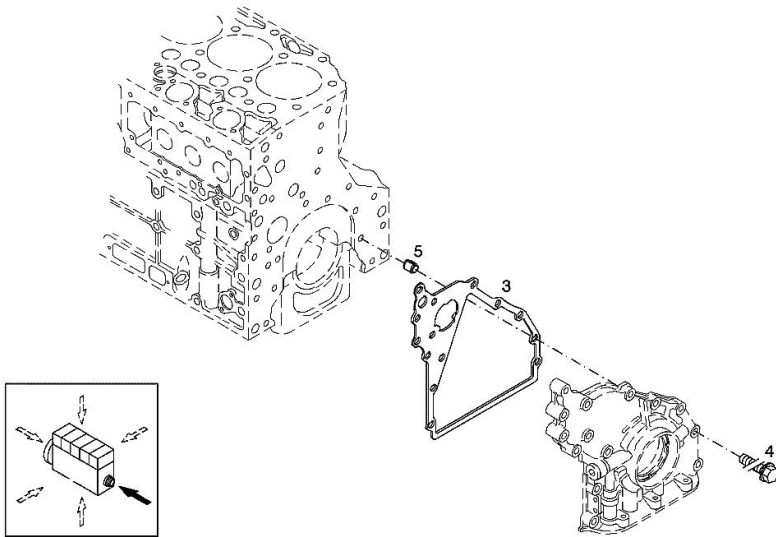
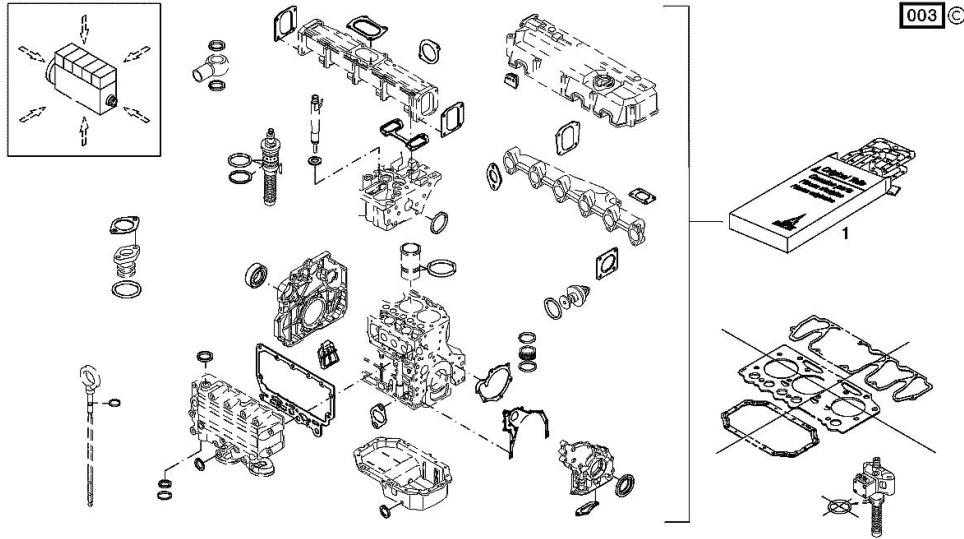


Fig.	P/n	QTY	Name
------	-----	-----	------

**Notes:**  
 [DIAMOND 265]

**Engine serial number:**

984828 1027907 1042322 1047090 1047091 1047093 1053115 1053116 1054075 1054076 1062329 1064777 1080877  
 1080878 1080881 1092650 10021943 10024295 10026598 10026599 10028605 10030686 10050689 10050691  
 10050692 10058039 10058040 10058041 10058062 10059391 10059392 10059393 10059398 10062675 10062678  
 10062687 10079093 10079094 10092446 10092448 10097114 10097121 10101771 10101773 10101777 10101788  
 10101791 10102962 10102964 10102973 10102974 10102977 10102979 10102980 10102981 10144920 10144921  
 10144925 10148639 10151929 10159970 10159971 10159979 10162823 10233021 10233031 10654565 10902593  
 10907682 10907685



1	02937627	1	gasket set The gasket kit does not contain: GASKET IN FIG. (SM 0199-99-9449)
---	----------	---	---

**BLEEDING TUBE**

Fig.	P/n	QTY	Name
------	-----	-----	------

**Notes:**

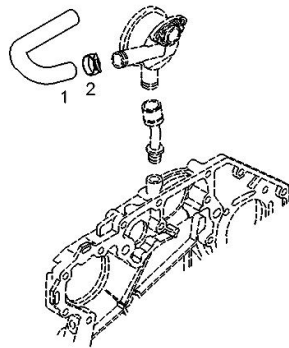
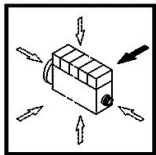
[DIAMOND 265]

**Engine serial number:**

1027907 1042322 1047090 1047091 1047093 1053115 1053116 1054075 1054076 1062329 1064777 1080877 1080878  
 1080881 1092650 10021943 10024295 10026598 10026599 10028605 10030686 10050689 10050691 10050692  
 10058039 10058040 10058041 10058062 10059391 10059392 10059393 10059398 10062675 10062678 10062687  
 10079093 10079094 10092446 10092448 10097114 10097121 10101771 10101773 10101777 10101788 10101791  
 10102962 10102964 10102973 10102974 10102977 10102979 10102980 10102981 10144920 10144921 10144925  
 10148639 10151929 10159970 10159971 10159979 10162823 10233021 10233031 10654565 10902593 10907682  
 10907685

000 ©

1	04198572	1	tube
2	01178750	1	clamp DIN 3021 -A-29X15



**BLEEDING TUBE**

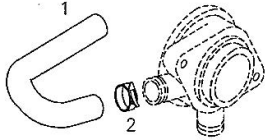
Fig.	P/n	QTY	Name
------	-----	-----	------

**Notes:**

[DIAMOND 265]

1	04198572	1	tube
2	01178750	3	clamp DIN 3021 -A-29X15

001



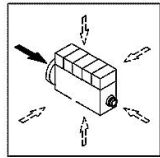
Section: B0 - ENGINE  
**CRANKCASE BREATHER**

Fig.	P/n	QTY	Name
------	-----	-----	------

**Notes:**  
 [DIAMOND 265]

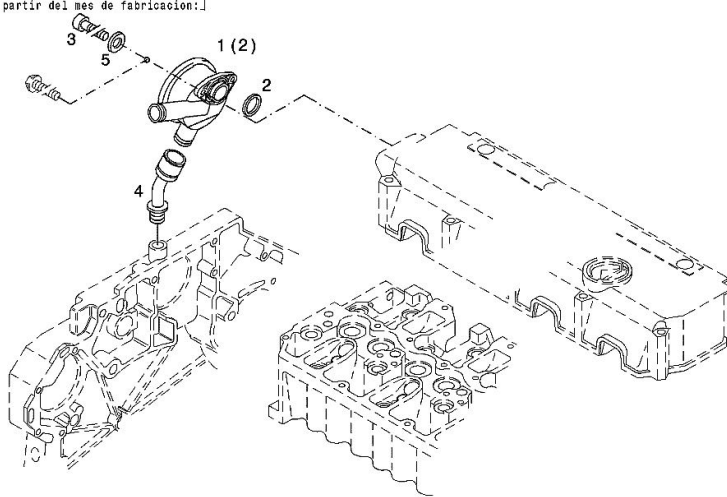
**Engine serial number:**

984828 1027907 1042322 1047090 1047091 1047093 1053115 1053116 1054075 1054076 1062329 1064777 1080877  
 1080878 1080881 1092650 10021943 10024295 10026598 10026599 10028605 10030686 10050689 10050691  
 10050692 10058039 10058040 10058041 10058062 10059391 10059392 10059393 10059398 10062675 10062678  
 10062687 10079093 10079094 10092446 10092448 10097114 10097121 10101771 10101773 10101777 10101788  
 10101791 10102962 10102964 10102973 10102974 10102977 10102979 10102980 10102981 10144920 10144921  
 10144925 10148639 10151929 10159970 10159971 10159979 10162823 10233021 10233031 10654565 10902593  
 10907682 10907685



ab Baumont:  
 from month of manufacture:  
 a partir mois de montage:  
 a partir del mes de fabricacion: 09.95

002 ©



1	04255055	1	valve WITH POS.... (2)
2	04207649	1	ring
3	01148431	2	screw - FROM THE MONTH OF ASSEMBLY SEE POS. ( B ) - UP TO THE MONTH OF ASSEMBLY ( A ) FROM THE MONTH OF ASSEMBLY A = 09.1995 B = POS. 950 ISO 4762 -M6X20-8.8-ZNAL-A
4	04207290	1	pipng
5	01124654	2	washer 6,4 d433 ISO 7092 -6-140HV-A4C*
950	01181965	2	screw - UP TO MONTH OF ASSEMBLY ( A ) - FROM MONTH OF ASSEMBLY SEE POS. ( B ) A = 08.1995 B = POS. 3 EN 1662 -F-M6X20-10.9-ZNAL-A

**OIL FILLER NECK**

Fig.	P/n	QTY	Name
------	-----	-----	------

**Notes:**

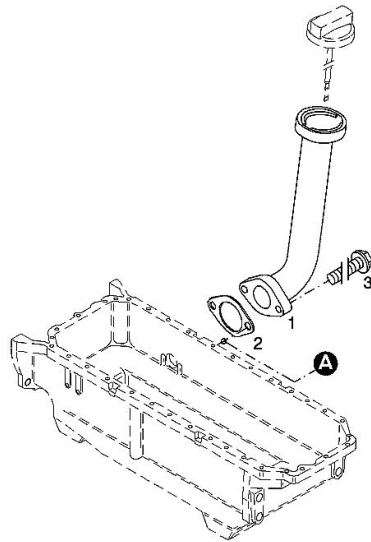
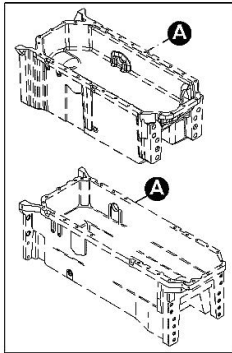
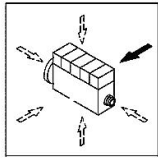
[DIAMOND 265]

**Engine serial number:**

984828 1027907 1042322 1047090 1047091 1047093 1053115 1053116 1054075 1054076 1062329 1064777 1080877  
 1080878 1080881 1092650 10021943 10024295 10026598 10026599 10028605 10030686 10050689 10050691  
 10050692 10058039 10058040 10058041 10058062 10059391 10059392 10059393 10059398 10062675 10062678  
 10062687 10079093 10079094 10092446 10092448 10097114 10097121 10101771 10101773 10101777 10101788  
 10101791 10102962 10102964 10102973 10102974 10102977 10102979 10102980 10102981 10144920 10144921  
 10144925 10148639 10151929 10159970 10159971 10159979 10162823 10233021 10233031 10654565 10902593  
 10907682 10907685

001 ©

1	04207099	1	tube
2	01178421	1	gasket DIN 71511 -35X58X1,5-DEUTZFW31
3	01181433	2	screw 30 Nm EN 1662 -F-M8X20-LG2,5-10.9-ZNAL-A



**ACCESSORIES**

Fig.	P/n	QTY	Name
------	-----	-----	------

**Notes:**

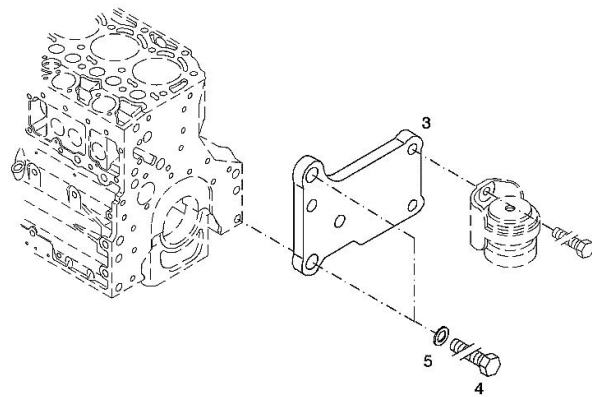
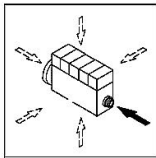
[DIAMOND 265]

**Engine serial number:**

984828 1027907 1042322 1047090 1047091 1047093 1053115 1053116 1054075 1054076 1062329 1064777 1080877  
 1080878 1080881 1092650 10021943 10024295 10026598 10026599 10028605 10030686 10050689 10050691  
 10050692 10058039 10058040 10058041 10058062 10059391 10059392 10059393 10059398 10062675 10062678  
 10101791 10102962 10102964 10102973 10102974 10102977 10102979 10102980 10102981 10144920 10144921  
 10144925 10148639 10151929 10159970 10159971 10159979 10162823 10233021 10233031 10654565 10902593  
 10907682 10907685

006 ©

3	04288659	1	support
4	01148261	2	screw ISO 4017 -M16X40-10.9-ZNAL-A
5	01181400	2	washer H 2308 -18X25X1,5-A4C



**Buy Now**



Our support email:

[ebooklibonline@outlook.com](mailto:ebooklibonline@outlook.com)