

FASTENINGS

Fig.	P/n	QTY	Name
------	-----	-----	------

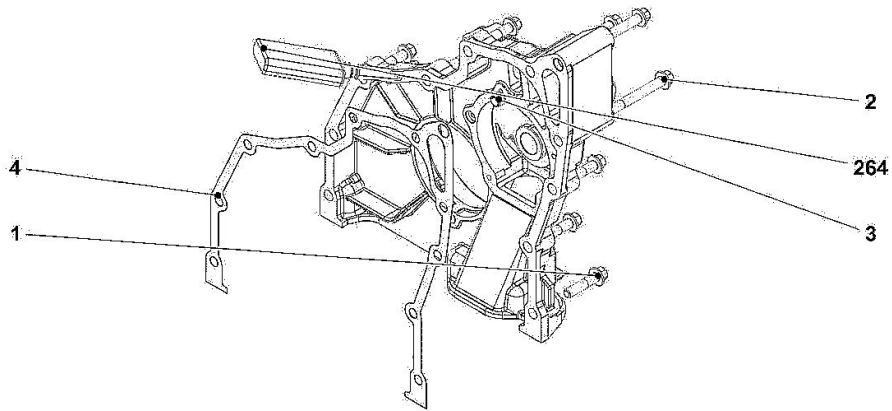
Notes:

[DIAMOND 270 DCR ->WSXJ370200LS10001]

Engine serial number:

10436395 10458818 10476974 10518807 10582003 10582005 10582007 10582012 10582013 10585873 10624466
 10631566 10631573 10634041 10666152 10666790 10666796 10677191 10715014 10723139 10730683 10730686
 10731045 10735083 10735093 10737484 10737491 10741792 10741796 10743117 10755940 10757262 10757368
 10762080 10769299 10770313 10771152 10773605

004



1	01143362	8	screw
2	01180114	3	screw
3	01181406	1	bushing
4	04294952	1	gasket
264	04297097	1	sealing compound

DIAMOND 270 DCR ->WSXJ370200LS10001

Section: B0 - ENGINE

Ref: B0.01.1

SERIE GUARNIZIONI

Fig.	P/n	QTY	Name
------	-----	-----	------

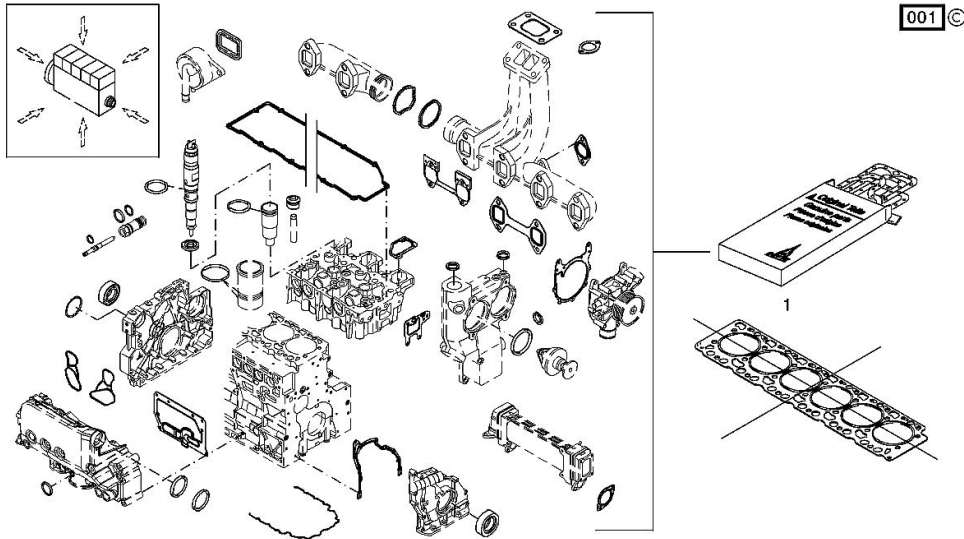
Notes:

[DIAMOND 270 DCR ->WSXJ370200LS10001]

Engine serial number:

10436395 10458818 10476974 10518807 10582003 10582005 10582007 10582012 10582013 10585873 10624466
 10631566 10631573 10634041 10666152 10666790 10666796 10677191 10715014 10723139 10730683 10730686
 10731045 10735083 10735093 10737484 10737491 10741792 10741796 10743117 10755940 10757262 10757368
 10762080 10769299 10770313 10771152 10773605

1	02931797	1	gasket set THE KIT DOES NOT CONTAIN ALL THE GASKETS: SEE SM 0199-99-9449
---	----------	---	--



BLEEDING TUBE

Fig.	P/n	QTY	Name
------	-----	-----	------

Notes:

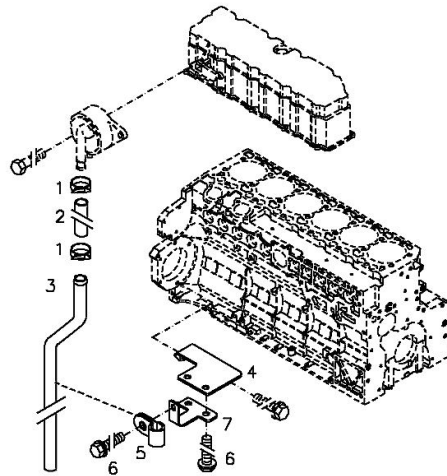
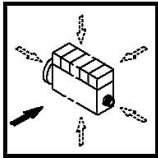
[DIAMOND 270 DCR ->WSXJ370200LS10001]

Engine serial number:

10436395 10458818 10476974 10518807 10582003 10582005 10582007 10582012 10582013 10585873 10624466
 10631566 10631573 10634041 10666152 10666790 10666796 10677191 10715014 10723139 10730683 10730686
 10731045 10735083 10735093 10737484 10737491 10741792 10741796 10743117 10755940 10757262 10757368
 10762080 10769299 10770313 10771152 10773605

000 ©

1	01178750	2	clamp DIN 3021 -A-29X15
2	01183057	1	rubber sleeve H 3407 -F22X30X65EAM*
3	04901978	1	tube
4	04293400	1	bracket
5	01176230	1	fascia H 3223 -C22X15-ST/MVQ-1-70
6	01181439	3	screw EN 1662 -F-M6X16-10.9-ZNAL-A
7	04293397	1	bracket



CRANKCASE BREATHER

Fig.	P/n	QTY	Name
------	-----	-----	------

Notes:

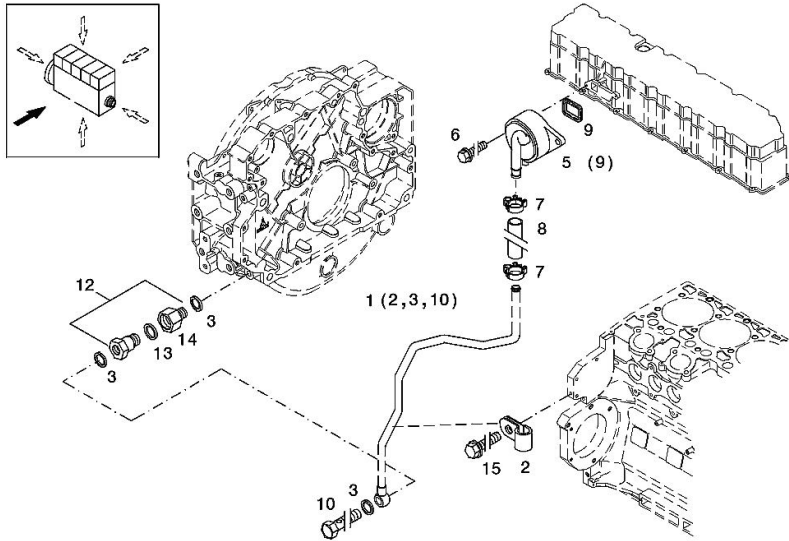
[DIAMOND 270 DCR ->WSXJ370200LS10001]

Engine serial number:

10436395 10458818 10476974 10518807 10582003 10582005 10582007 10582012 10582013 10585873 10624466
 10631566 10631573 10634041 10666152 10666790 10666796 10677191 10715014 10723139 10730683 10730686
 10731045 10735083 10735093 10737484 10737491 10741792 10741796 10743117 10755940 10757262 10757368
 10762080 10769299 10770313 10771152 10773605

0000 ©

1	04297965	1	tube WITH POS.... (2,3,10)
2	01175559	1	fascia H 3223 -C8X15-ST/MVQ-1-70
3	01118673	3	oil seal DIN 7603 -A12X15,5-CU
5	04905110	1	breather WITH POS.... 9
6	01181432	2	screw m8x30 EN 1662 -F-M8X30-10.9-ZNAL-A
7	04913786	2	clamp
8	01174783	1	rubber tube H 3430 -A8X14X70
9	04298547	1	rubber plug
10	01119241	1	pipe union m 12 p.1.5 DIN 7643 -8
12	04905469	1	pipe fitting
13	01118737	1	oil seal 22 x 27 DIN 7603 -A22X27-CU
14	04904834	1	adapter
15	01181436	1	screw EN 1662 -F-M8X16-LG2,5-10.9-ZNAL-A



CRANKCASE

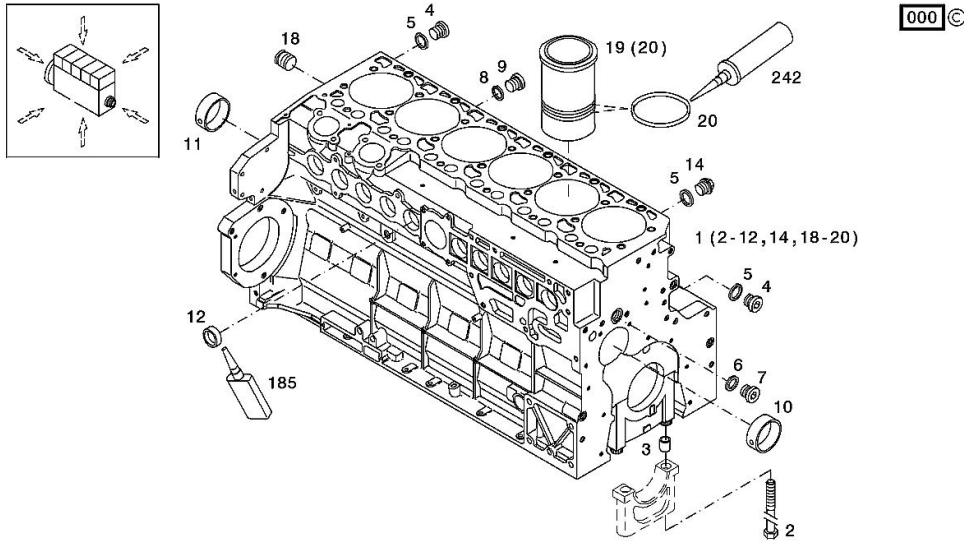
Fig.	P/n	QTY	Name
------	-----	-----	------

Notes:

[DIAMOND 270 DCR ->WSXJ370200LS10001]

Engine serial number:

10436395 10458818 10476974 10518807 10582003 10582005 10582007 10582012 10582013 10585873 10624466
 10631566 10631573 10634041 10666152 10666790 10666796 10677191 10715014



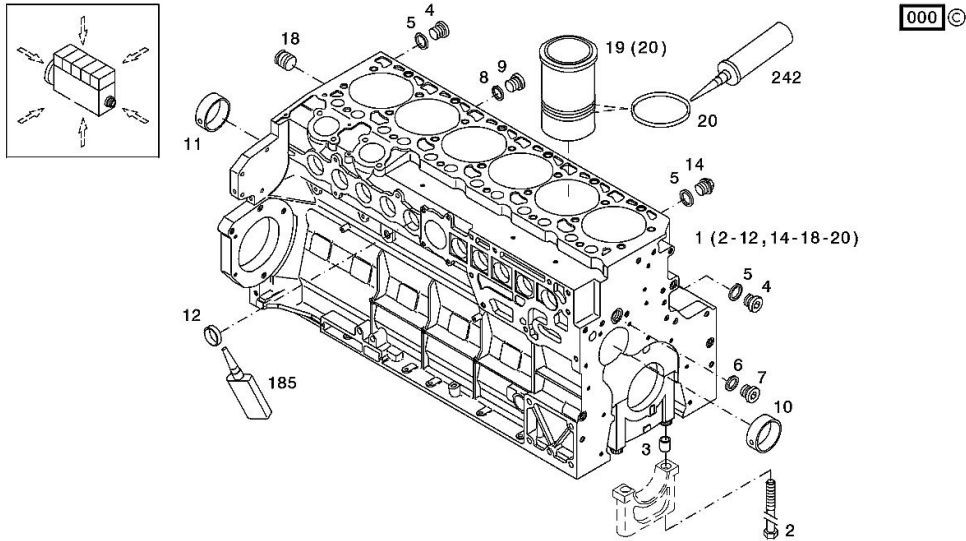
1	04905833	1	crankcase WITH POS.... 2-12,14,18-20
2	04257692	14	screw
3	04257514	14	spacer
4	01110423	2	screw DIN 908 -M14X1,5-ST-ZNPHRF
5	01118688	3	ring 14x17 DIN 7603 -A14X18-CU
6	01118737	1	oil seal 22 x 27 DIN 7603 -A22X27-CU
7	01124759	1	plug DIN 908 -M22X1,5-ST-A4C
8	01118760	1	gasket 26x31 DIN 7603 -A26X31-CU
9	01148158	1	plug DIN 908 -M26X1,5-ST-A4C
10	04257081	6	bushing
11	04257082	1	bushing
12	01179635	10	plug H 2860 -A45-ST-FE/ZNPHR
14	01100940	1	screw DIN 7604 -AM14X1,5-ST-A4C
18	01181155	1	plug H 2812 -2838-M22X1,5-ST-A4C-PRE80
19	04901316	6	engine cylinder WITH POS.... (20)
20	01181178	12	special oil seal H 2927 -112X3,0-FPM-2-70
185	01016127	1	sealing compound ml. 50 H 0699 -DEUTZDW72-50ML
242	01016105	1	sealing compound

CRANKCASE

Fig.	P/n	QTY	Name
------	-----	-----	------

Notes:

[DIAMOND 270 DCR ->WSXJ370200LS10001]

Engine serial number:10723139 10730683 10730686 10731045 10735083 10735093 10737484 10737491 10741792 10741796 10743117
10755940 10757262 10757368 10762080 10769299 10770313 10771152 10773605

1	04907542	1	crankcase WITH POS.... (2-12,14-18-20)
2	04257692	14	screw
3	04257514	14	spacer
4	01110423	2	screw DIN 908 -M14X1,5-ST-ZNPHRF
5	01118688	3	ring 14x17 DIN 7603 -A14X18-CU
6	01118737	1	oil seal 22 x 27 DIN 7603 -A22X27-CU
7	01124759	1	plug DIN 908 -M22X1,5-ST-A4C
8	01118760	1	gasket 26x31 DIN 7603 -A26X31-CU
9	01148158	1	plug DIN 908 -M26X1,5-ST-A4C
10	04257081	6	bushing
11	04257082	1	bushing
12	01148032	10	cover DIN 443 -A45-ZNPHR
14	01100940	1	screw DIN 7604 -AM14X1,5-ST-A4C
18	01181155	1	plug H 2812 -2838-M22X1,5-ST-A4C-PRE80
19	04901316	6	engine cylinder WITH POS.... (20)
20	01181178	12	special oil seal H 2927 -112X3,0-FPM-2-70
185	01319911	1	sealing compound ml. 50
242	01016105	1	sealing compound

FRONT COVER

Fig.	P/n	QTY	Name
------	-----	-----	------

Notes:

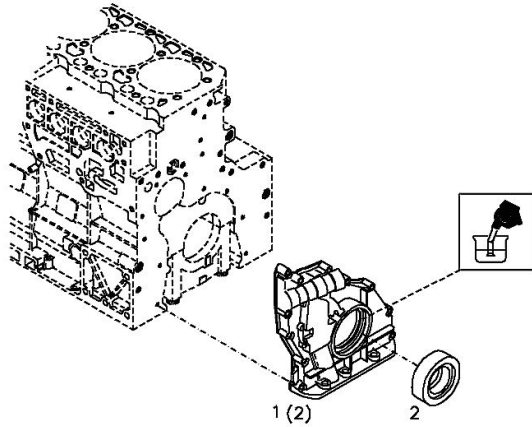
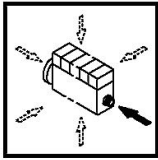
[DIAMOND 270 DCR ->WSXJ370200LS10001]

Engine serial number:

10436395 10458818 10476974 10518807

1	04904956	1	flange WITH POS.... (2)
2	04253373	1	oil seal

000 ©



Buy Now



Our support email:

ebooklibonline@outlook.com