

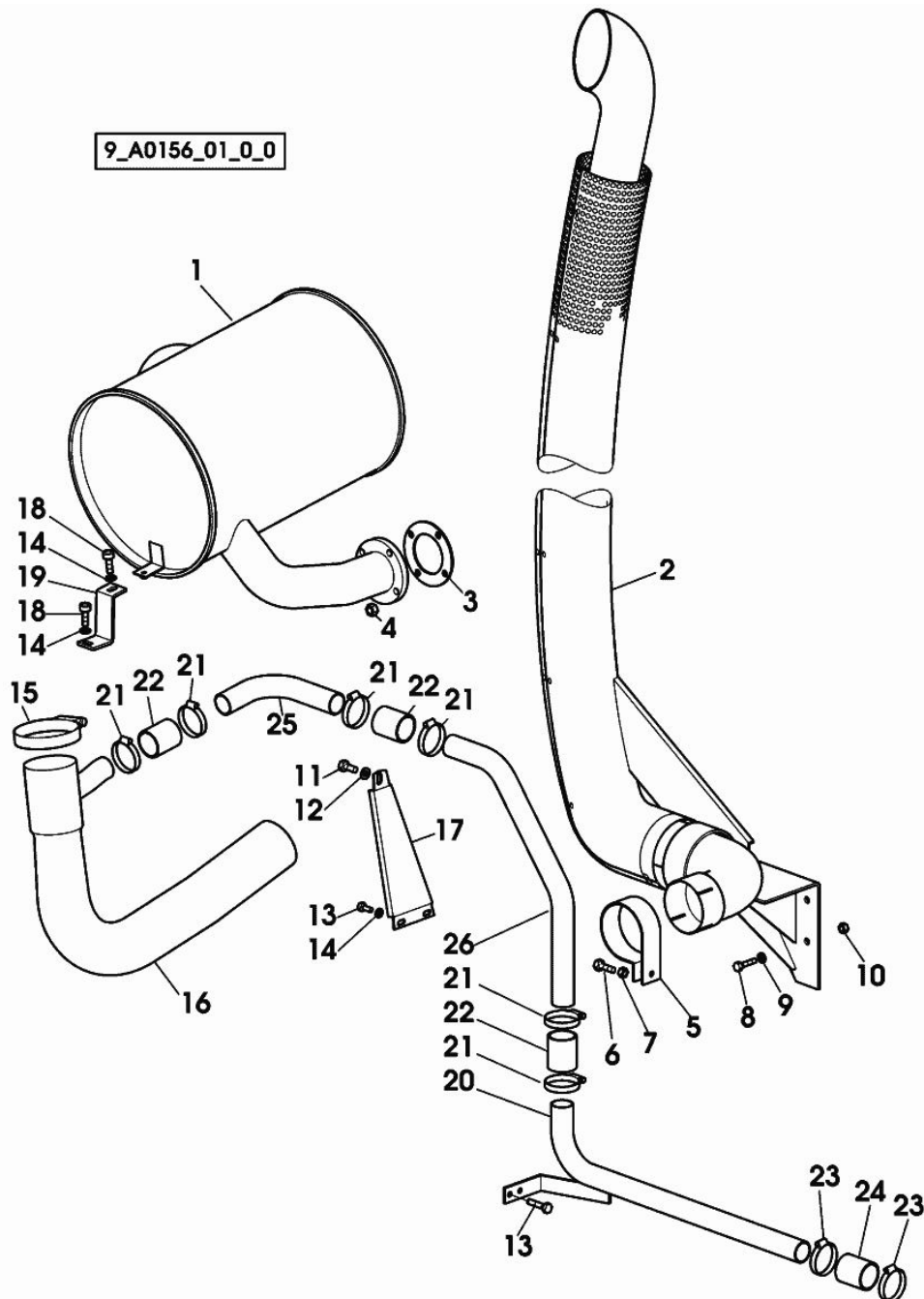
Section: ENGINE

**EXHAUST SILENCER**

Fig.	P/n	QTY	Name
------	-----	-----	------

**Notes:**

[DIAMOND II 230]



1	04436002	1	silencer
2	04431284.4/10	1	exhaust pipe
3	04209203	1	gasket
4	01144673	4	nut
5	04431301	1	bracket
6	01112456	1	screw m 10 x 50
7	01102659	1	nut m 10, d934
8	01112538	3	screw m 12 x 35, d933
9	01174738	3	flat washer 12.5x26x6
10	01112858	1	nut m 12, d934
11	01112407	1	screw m 10 x 20, d933
12	01140501	1	washer 10.5
13	01112307	4	screw m 8 p.1.25 x 15, d933
14	01151019	4	washer 8.4
15	04431273	1	bracket
16	04432580	1	exhaust pipe
17	04427269	1	console
18	01126448	2	screw
19	04432014	1	console
20	04435378	1	air filter
21	01173971	10	fascia Ø 40/60
22	04432015	3	rubber sleeve
23	01173969	2	clamp 32-50
24	04432016	1	rubber sleeve
25	04432579	1	tube
26	04435379	1	tube

**PLUG**

Fig.	P/n	QTY	Name
------	-----	-----	------

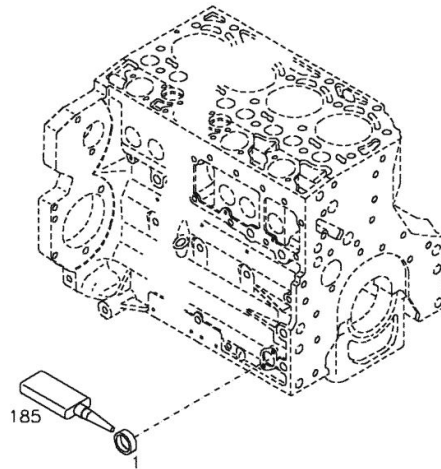
**Notes:**

[DIAMOND II 230]

**Engine serial number:**

364153 364154 376482 376483 376484 376485 376902 376903 376923 376924 376925 382438 382439 382440 394972  
 394973 394974 394975 402497 402498 402499 404467 404468 404469 404470 404471 404472 409589 409590 409591  
 409592 409593 412249 428810 435873 440334 440335 440336 463528 465993 472070 472071 472072 472073 472074  
 529495 529496 531346 531347 531348 597101 597102 604313 604314 604315 604316 605269 605270 605271 605272  
 614332 614333 621768 621769 621770 630015 630016 630017 630018 630019 630020 642677 643602 643603 666616  
 666617 666618 667057 667058 676273 676274 678988 678989 678990 678991 697648 697649 698134 698135 698136  
 698137 698138 698139 698140 698141 698142 698143 698144 698145 708370 708371 716087 716088 716089 716243  
 716244 716512 716513 716514 716515 716516 728915 728916 736814 752968 752969 752970 763317 763318 769136  
 769137 769138 769139 773396 773397 775425 775426 786136 793031 793032 793033 793034 793035 793104 796347  
 796348 796349 796350 796351 825362 835563 835564 835565 835566 848925 848926 848927 848928 848929 851598  
 860720 860721 860722 860723 868409 868410 877238 877239 1011937

001 ©



1	01179634	1	plug H 2860 -A36-ST-FE/ZNPFR
185	01016127	1	sealing compound ml. 50 H 699 -DEUTZDW72-50ML

Section: ENGINE  
**FASTENINGS**

Fig.	P/n	QTY	Name
------	-----	-----	------

**Notes:**

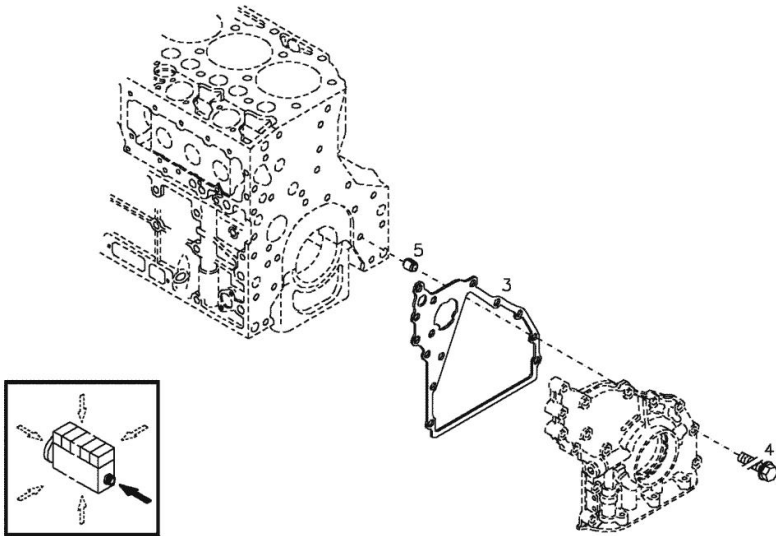
[DIAMOND II 230]

**Engine serial number:**

364153 364154 376482 376483 376484 376485 376902 376903 376923 376924 376925 382438 382439 382440 394972  
 394973 394974 394975 402497 402498 402499 404467 404468 404469 404470 404471 404472 409589 409590 409591  
 409592 409593 412249 428810 435873 440334 440335 440336 463528 465993 472070 472071 472072 472073 472074  
 529495 529496 531346 531347 531348 597101 597102 604313 604314 604315 604316 605269 605270 605271 605272  
 614332 614333 621768 621769 621770 630015 630016 630017 630018 630019 630020 642677 643602 643603 666616  
 666617 666618 667057 667058 676273 676274 678988 678989 678990 678991 697648 697649 698134 698135 698136  
 698137 698138 698139 698140 698141 698142 698143 698144 698145 708370 708371 716087 716088 716089 716243  
 716244 716512 716513 716514 716515 716516 728915 728916 736814 752968 752969 752970 763317 763318 769136  
 769137 769138 769139 773396 773397 775425 775426 786136 793031 793032 793033 793034 793035 793104 796347  
 796348 796349 796350 796351 825362 835563 835564 835565 835566 848925 848926 848927 848928 848929 851598  
 860720 860721 860722 860723 868409 868410 877238 877239 1011937

001 ©

3	04204450	1	gasket
4	01143362	14	screw
5	01181406	1	bushing



Section: ENGINE

**OIL PRESSUR.SWITCH**

Fig.	P/n	QTY	Name
------	-----	-----	------

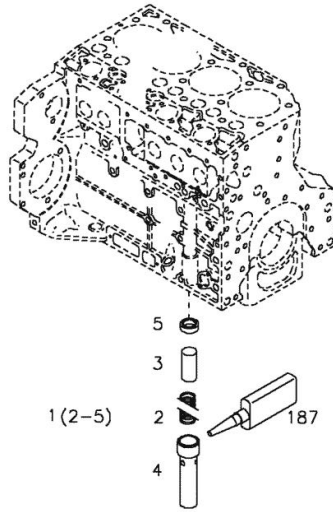
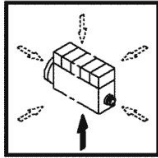
**Notes:**

[DIAMOND II 230]

**Engine serial number:**

364153 364154 376482 376483 376484 376485 376902 376903 376923 376924 376925 382438 382439 382440 394972  
 394973 394974 394975 402497 402498 402499 404467 404468 404469 404470 404471 404472 409589 409590 409591  
 409592 409593 412249 428810 435873 440334 440335 440336 463528 465993 472070 472071 472072 472073 472074  
 529495 529496 531346 531347 531348 597101 597102 604313 604314 604315 604316 605269 605270 605271 605272  
 614332 614333 621768 621769 621770 630015 630016 630017 630018 630019 630020 642677 643602 643603 666616  
 666617 666618 667057 667058 676273 676274 678988 678989 678990 678991 697648 697649 698134 698135 698136  
 698137 698138 698139 698140 698141 698142 698143 698144 698145 708370 708371 716087 716088 716089 716243  
 716244 716512 716513 716514 716515 716516 728915 728916 736814 752968 752969 752970 763317 763318 769136  
 769137 769138 769139 773396 773397 775425 775426 786136 793031 793032 793033 793034 793035 793104 796347  
 796348 796349 796350 796351 825362 835563 835564 835565 835566 848925 848926 848927 848928 848929 851598  
 860720 860721 860722 860723 868409 868410 877238 877239 1011937

002 ©



1	04207119	1	valve WITH ITEM .... (2-5)
2	04200782	1	spring
3	04207120	1	piston
4	04207121	1	spacer
5	04201794	1	ring
187	01016123	1	small plate

Section: ENGINE

**OIL FILLER NECK**

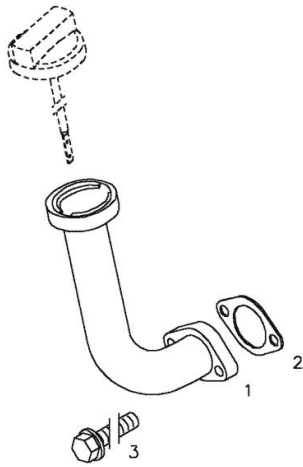
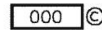
Fig.	P/n	QTY	Name
------	-----	-----	------

**Notes:**

[DIAMOND II 230]

**Engine serial number:**

364153 364154 376482 376483 376484 376485 376902 376903 376923 376924 376925 382438 382439 382440 394972  
 394973 394974 394975 402497 402498 402499 404467 404468 404469 404470 404471 404472 409589 409590 409591  
 409592 409593 412249 428810 435873 440334 440335 440336 463528 465993 472070 472071 472072 472073 472074  
 529495 529496 531346 531347 531348 597101 597102 604313 604314 604315 604316 605269 605270 605271 605272  
 614332 614333 621768 621769 621770 630015 630016 630017 630018 630019 630020 642677 643602 643603 666616  
 666617 666618 667057 667058 676273 676274 678988 678989 678990 678991 697648 697649 698134 698135 698136  
 698137 698138 698139 698140 698141 698142 698143 698144 698145 708370 708371 716087 716088 716089 716243  
 716244 716512 716513 716514 716515 716516 728915 728916 736814 752968 752969 752970 763317 763318 769136  
 769137 769138 769139 773396 773397 775425 775426 786136 793031 793032 793033 793034 793035 793104 796347  
 796348 796349 796350 796351 825362 835563 835564 835565 835566 848925 848926 848927 848928 848929 851598  
 860720 860721 860722 860723 868409 868410 877238 877239 1011937



1	04207099	1	tube
2	01178421	1	gasket
3	01181433	2	screw

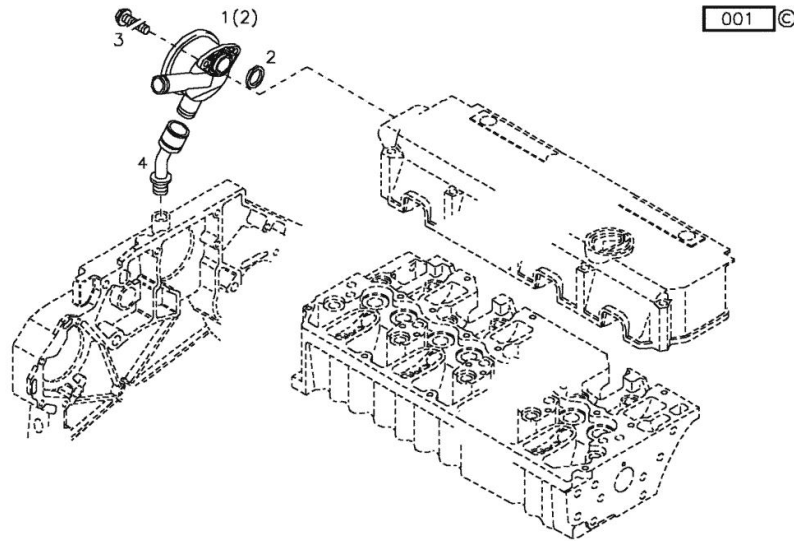
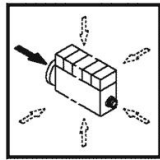
Section: ENGINE  
**CRANKCASE BREATHER**

Fig.	P/n	QTY	Name
------	-----	-----	------

Notes:  
 [DIAMOND II 230]

**Engine serial number:**

364153 364154 376482 376483 376484 376485 376902 376903 376923 376924 376925 382438 382439 382440 394972  
 394973 394974 394975 402497 402498 402499 404467 404468 404469 404470 404471 404472 409589 409590 409591  
 409592 409593 412249 428810 435873 440334 440335 440336 463528 465993 472070 472071 472072 472073 472074  
 529495 529496 531346 531347 531348 597101 597102 604313 604314 604315 604316 605269 605270 605271 605272  
 614332 614333 621768 621769 621770 630015 630016 630017 630018 630019 630020 642677 643602 643603 666616  
 666617 666618 667057 667058 676273 676274 678988 678989 678990 678991 697648 697649 698134 698135 698136  
 698137 698138 698139 698140 698141 698142 698143 698144 698145 708370 708371 716087 716088 716089 716243  
 716244 716512 716513 716514 716515 716516 728915 728916 736814 752968 752969 752970 763317 763318 769136  
 769137 769138 769139 773396 773397 775425 775426 786136 793031 793032 793033 793034 793035 793104 796347  
 796348 796349 796350 796351 825362 835563 835564 835565 835566 848925 848926 848927 848928 848929 851598  
 860720 860721 860722 860723 868409 868410 877238 877239 1011937



1	04207651	1	valve WITH ITEM .... (2)
2	04207649	1	ring
3	01180218	2	screw
4	04207290	1	piping

Section: ENGINE

**BLEEDING TUBE**

Fig.	P/n	QTY	Name
------	-----	-----	------

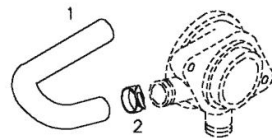
**Notes:**

[DIAMOND II 230]

**Engine serial number:**

364153 364154 376482 376483 376484 376485 376902 376903 376923 376924 376925 382438 382439 382440 394972  
 394973 394974 394975 402497 402498 402499 404467 404468 404469 404470 404471 404472 409589 409590 409591  
 409592 409593 412249 428810 435873 440334 440335 440336 463528 465993 472070 472071 472072 472073 472074  
 529495 529496 531346 531347 531348 597101 597102 604313 604314 604315 604316 605269 605270 605271 605272  
 614332 614333 621768 621769 621770 630015 630016 630017 630018 630019 630020 642677 643602 643603 666616  
 666617 666618 667057 667058 676273 676274 678988 678989 678990 678991 697648 697649 698134 698135 698136  
 698137 698138 698139 698140 698141 698142 698143 698144 698145 708370 708371 716087 716088 716089 716243  
 716244 716512 716513 716514 716515 716516 728915 728916 736814 752968 752969 752970 763317 763318 769136  
 769137 769138 769139 773396 773397 775425 775426 786136 793031 793032 793033 793034 793035 793104 796347  
 796348 796349 796350 796351 825362 835563 835564 835565 835566 848925 848926 848927 848928 848929 851598  
 860720 860721 860722 860723 868409 868410 877238 877239

001 ©



1	04198572	1	tube
2	01178750	3	clamp DIN 003021-A- 29X15

**Buy Now**



Our support email:

[ebooklibonline@outlook.com](mailto:ebooklibonline@outlook.com)