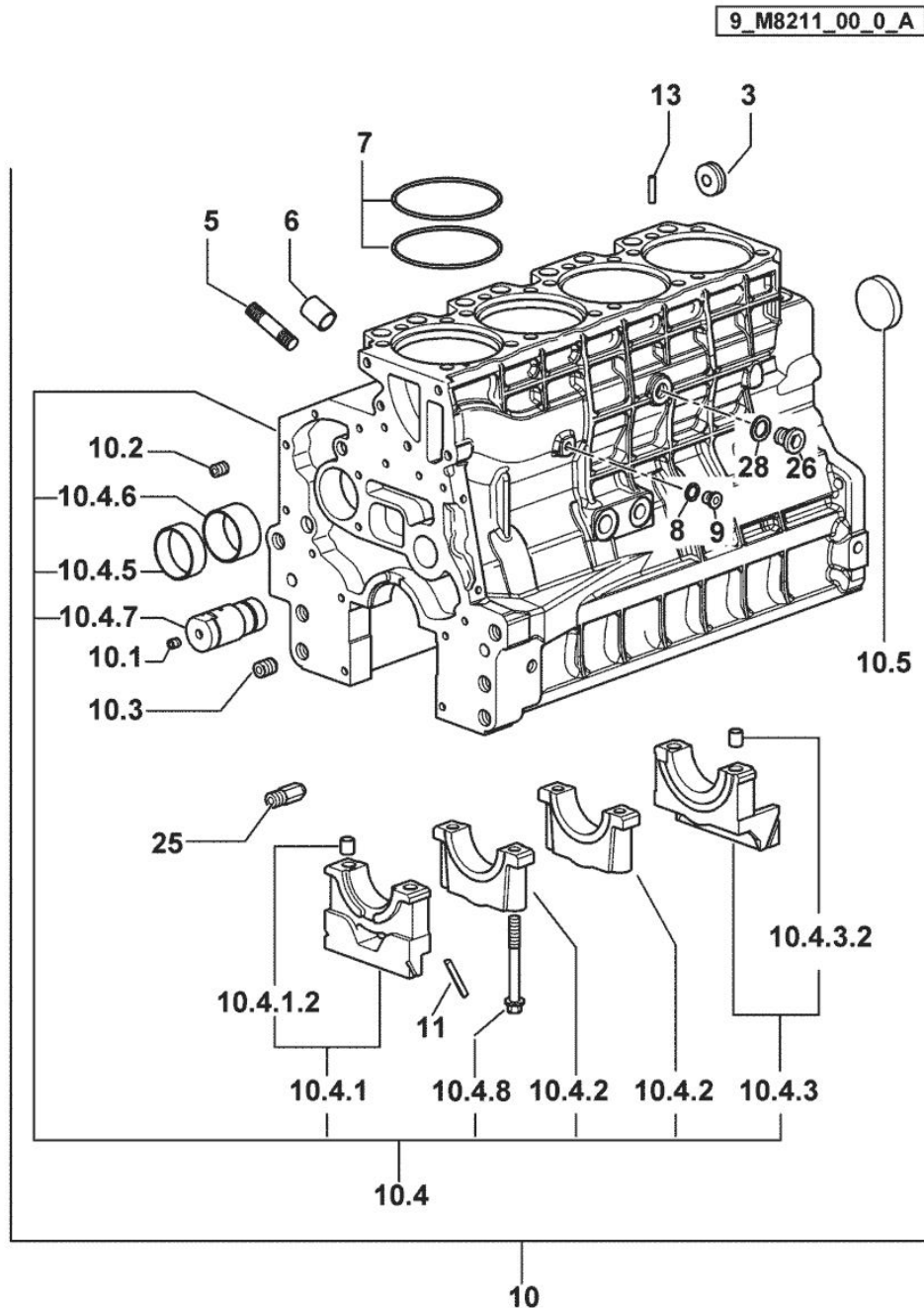


Section: ENGINE  
**CRANKCASE**



| Fig. | P/n | QTY | Name |
|------|-----|-----|------|
|------|-----|-----|------|

Notes:  
 [DORADO V 90]

|          |                 |    |                              |
|----------|-----------------|----|------------------------------|
| 3        | 2.3199.312.2/10 | 1  | plug                         |
| 5        | 2.0439.273.7    | 8  | stud bolt m 8                |
| 6        | 2.1559.188.2    | 4  | bush 11.4 x 14 x16           |
| 7        | 2.1539.193.0    | 8  | special oil seal 107.62x2.62 |
| 8        | 2.1560.010.0    | 1  | gasket 14.2 x 20             |
| 9        | 2.3199.292.0    | 1  | plug 1/4" gas                |
| 10       | 0.013.0489.4/30 | 1  | crankcase                    |
| 10.1     | 2.3130.001.1    | 10 | plug 1/8" gas                |
| 10.2     | 2.3130.002.1    | 2  | plug 1/4" gas                |
| 10.3     | 2.3130.003.1    | 6  | plug 3/8" gas                |
| 10.4     | 0.000.0000.1    |    | cannot be supplied           |
| 10.4.1   | 0.065.1112.7    | 1  | support                      |
| 10.4.1.2 | 2.1699.165.0    | 1  | bush 12.3x15x16              |
| 10.4.2   | 0.065.1114.0/10 | 3  | support                      |
| 10.4.3   | 0.065.1116.3    | 1  | support                      |
| 10.4.3.2 | 2.1699.165.0    | 1  | bush 12.3x15x16              |
| 10.4.5   | 0.065.1140.0    | 4  | special bushing 59X55X20     |
| 10.4.6   | 0.065.1141.0    | 1  | special bushing 59X55X30     |
| 10.4.7   | 0.066.1151.0    | 1  | pin                          |
| 10.4.8   | 0.065.1117.0    | 10 | screw m 12 x 100             |
| 10.5     | 2.3179.012.0    | 1  | plug 60                      |
| 11       | 0.066.1152.0/10 | 4  | gasket                       |
| 13       | 2.1549.154.2    | 4  | bush 4.8x5.8x16              |
| 25       | 0.013.4946.0/10 | 1  | sprayer nozzle               |
| 26       | 2.3120.101.0    | 1  | plug m 18 p.1.5              |
| 28       | 2.1560.014.0    | 1  | washer 18.2 x 24             |

Section: ENGINE

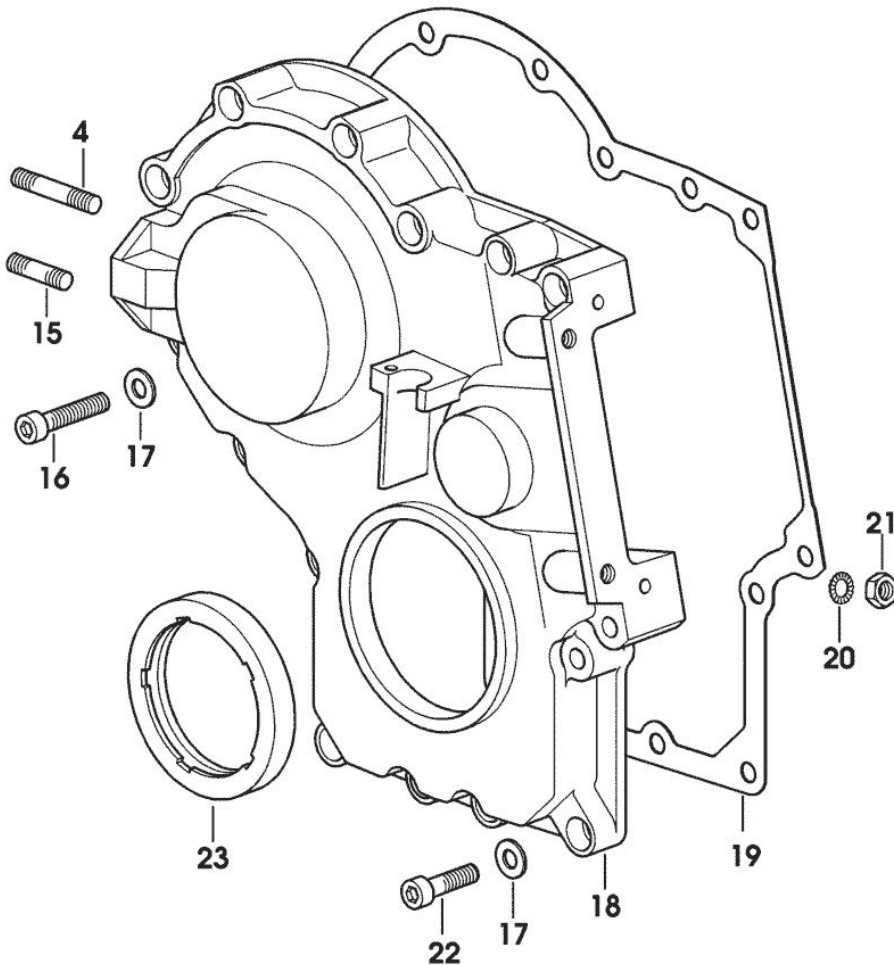
**TIMING CASE**

| Fig. | P/n | QTY | Name |
|------|-----|-----|------|
|------|-----|-----|------|

**Notes:**

[DORADO V 90]

|    |                 |    |                                  |
|----|-----------------|----|----------------------------------|
| 4  | 2.0432.009.7    | 1  | stud bolt m 8 p.1.25 / p. 1 x 35 |
| 15 | 2.0432.003.7    | 1  | stud bolt m 8 p.1.25 / p.1 x 20  |
| 16 | 2.0312.214.2    | 7  | screw m 8 p.1.25 x 40            |
| 17 | 2.1480.014.1    | 15 | washer 8                         |
| 18 | 0.013.4981.0    | 1  | guard                            |
| 19 | 0.065.1150.0/30 | 1  | gasket                           |
| 20 | 2.1470.004.2    | 4  | lock washer 8                    |
| 21 | 2.1011.405.2    | 2  | nut m 8 p.1                      |
| 22 | 2.0312.208.2    | 8  | screw m 8 p.1.25 x 25            |
| 23 | 2.1529.167.0    | 1  | oil seal                         |



9\_M8211\_00\_0\_B

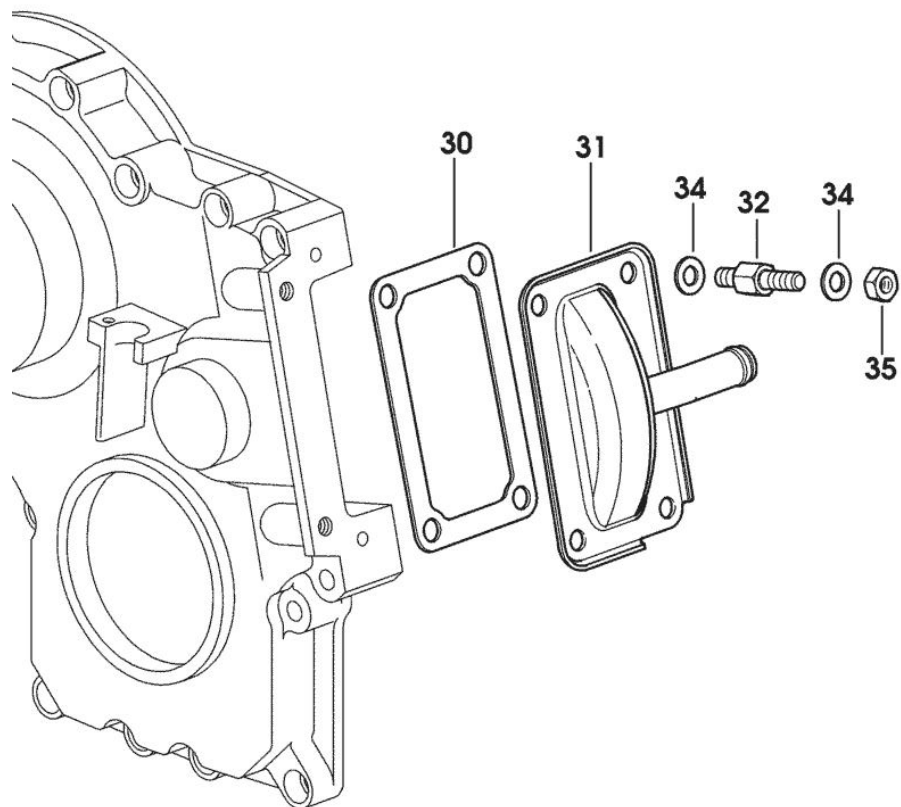
Section: ENGINE  
CASING COVER

| Fig. | P/n | QTY | Name |
|------|-----|-----|------|
|------|-----|-----|------|

## Notes:

[DORADO V 90]

|    |                 |   |                               |
|----|-----------------|---|-------------------------------|
| 30 | 0.065.1152.0    | 1 | gasket                        |
| 31 | 0.013.6374.2    | 1 | cover                         |
| 32 | 0.013.6368.0/10 | 4 | stud bolt m 8 p.1 / = mm 46.5 |
| 34 | 2.1310.004.2    | 8 | flat washer 8.4x17            |
| 35 | 2.1011.405.2    | 4 | nut m 8 p.1                   |



9\_N1411\_01\_0\_0

Section: ENGINE

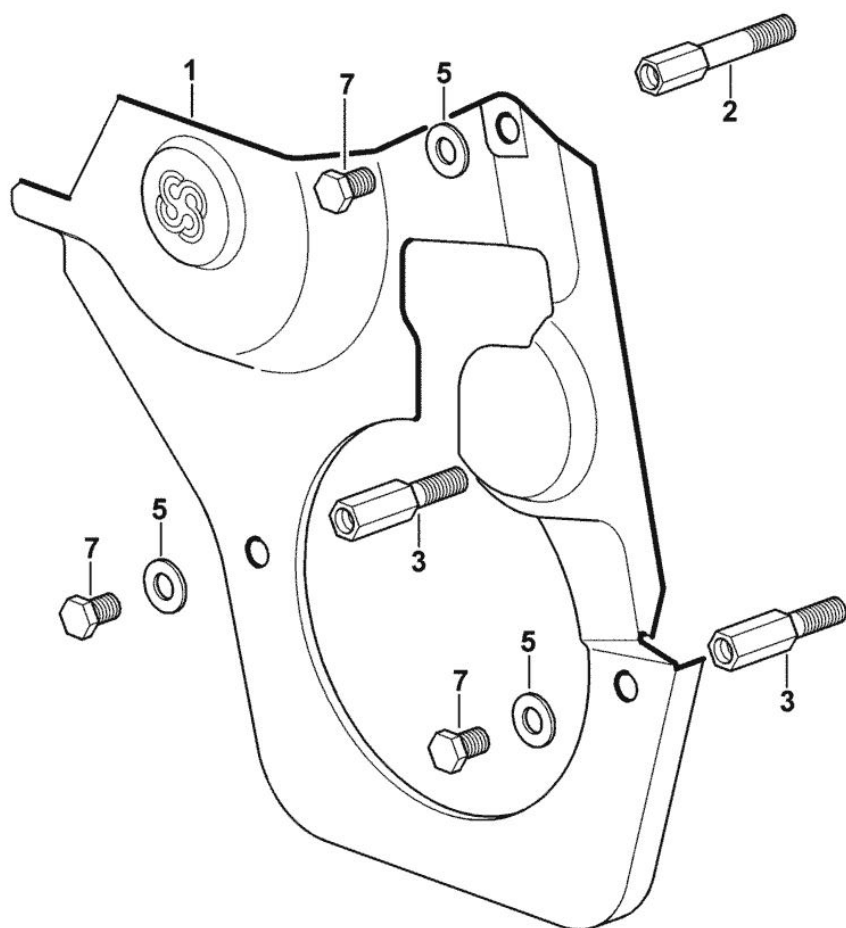
**GUARD PLATE**

| Fig. | P/n | QTY | Name |
|------|-----|-----|------|
|------|-----|-----|------|

**Notes:**

[DORADO V 90]

|   |                 |   |                                     |
|---|-----------------|---|-------------------------------------|
| 1 | 0.007.1262.3/50 | 1 | guard                               |
| 2 | 0.007.1271.0/10 | 1 | small column m 8 p.1.25 / L = mm 60 |
| 3 | 0.007.1272.0/10 | 2 | small column m 8 p.1.25 / L = mm 50 |
| 5 | 2.1310.004.2    | 3 | flat washer 8.4x17                  |
| 7 | 2.0112.203.2    | 3 | screw m 8 p.1.25 x 12               |



Section: ENGINE

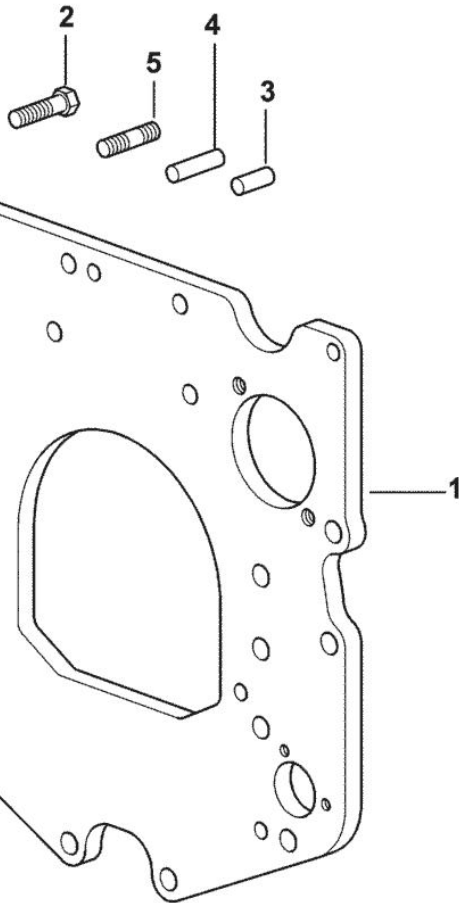
**MONOBLOC ENGINE-GEARBOX CONNECTING FLANGE**

| Fig. | P/n | QTY | Name |
|------|-----|-----|------|
|------|-----|-----|------|

**Notes:**

[DORADO V 90]

|   |                 |   |                                   |
|---|-----------------|---|-----------------------------------|
| 1 | 0.007.1882.0/50 | 1 | flange                            |
| 2 | 2.0112.511.2    | 8 | screw m 14 p.2 x 30               |
| 3 | 2.1651.912.0    | 2 | cylindrical plug 12x28            |
| 4 | 2.1651.917.0    | 1 | cylindrical plug 12x40            |
| 5 | 2.0432.257.7    | 1 | stud bolt m 12 p.1.75 - 1.25 x 30 |
| 6 | 2.0439.250.7    | 1 | stud bolt m 12 / m 10 x 30        |
| 7 | 0.011.9294.0/10 | 1 | bush                              |



9\_38611\_01\_0\_0

Section: ENGINE

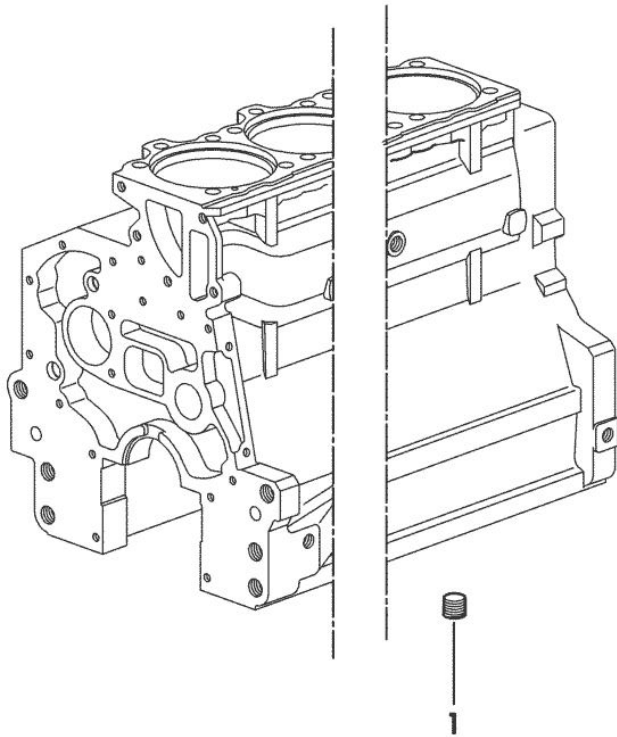
**PLUG**

| Fig. | P/n | QTY | Name |
|------|-----|-----|------|
|------|-----|-----|------|

**Notes:**

[DORADO V 90]

|   |              |   |               |
|---|--------------|---|---------------|
| 1 | 2.3130.003.1 | 1 | plug 3/8" gas |
|---|--------------|---|---------------|

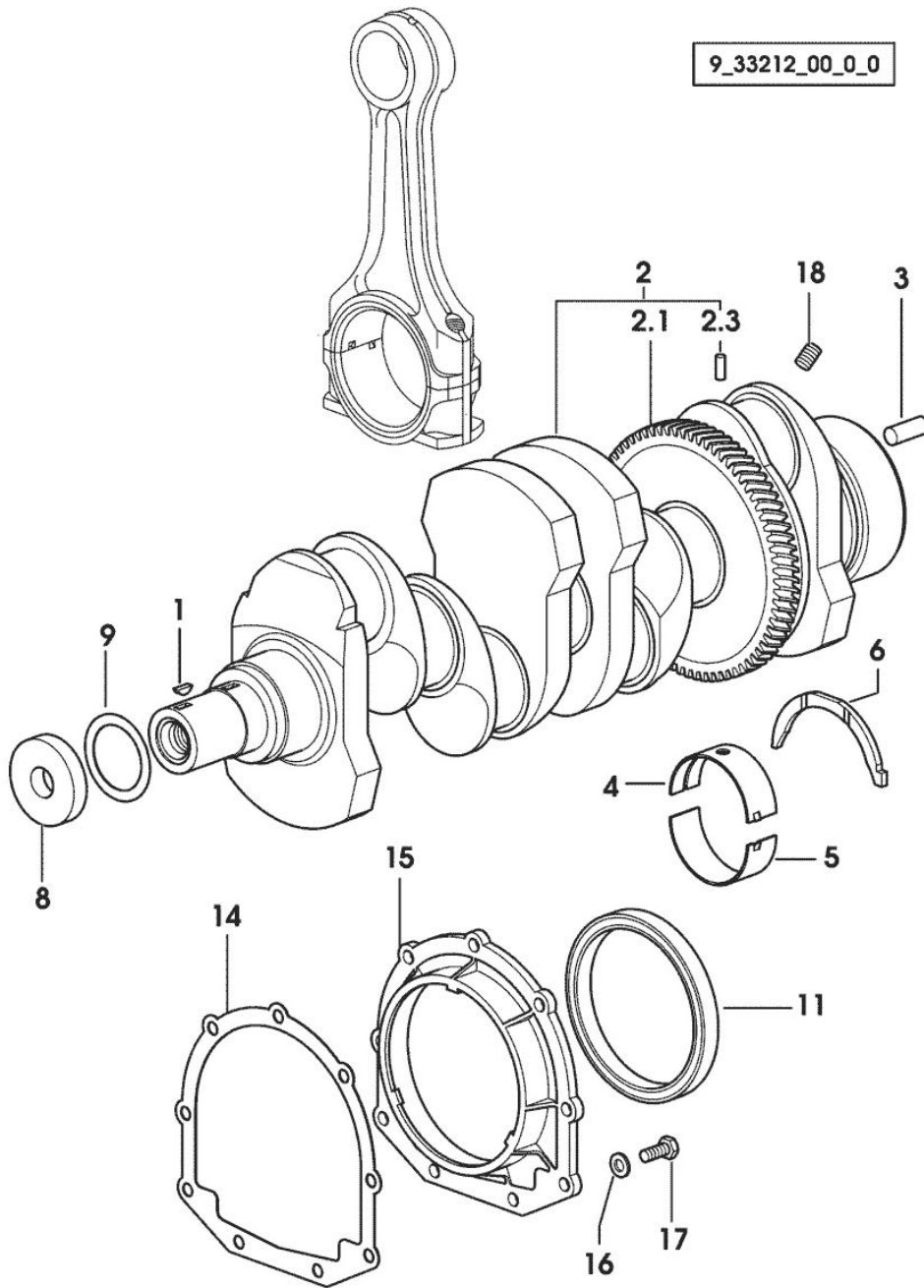


9\_34311\_06\_0\_0

Section: ENGINE

**CRANKSHAFT**

9\_33212\_00\_0\_0



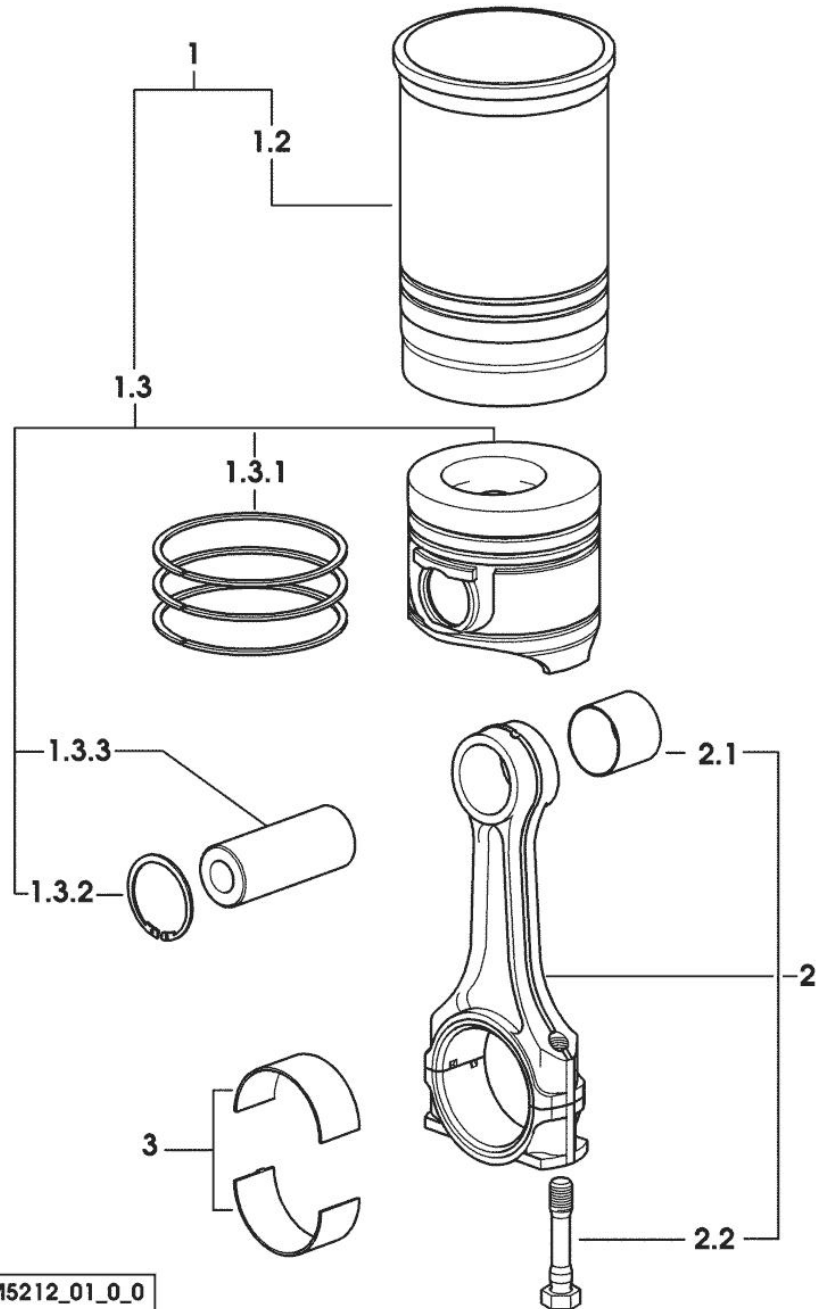
| Fig. | P/n | QTY | Name |
|------|-----|-----|------|
|------|-----|-----|------|

Notes:  
[DORADO V 90]

|     |                 |   |                             |
|-----|-----------------|---|-----------------------------|
| 1   | 2.1720.006.0    | 1 | key 4x6.5                   |
| 2   | 0.086.1210.3/30 | 1 | crankshaft                  |
| 2.1 | 0.065.1211.0/10 | 1 | crown wheel                 |
| 2.3 | 2.1630.608.0    | 1 | pin 6x16                    |
| 3   | 2.1651.915.0    | 1 | pin 12x35                   |
| 4   | 0.065.1215.0    | 5 | main half bushing STANDARD  |
| 4   | 0.065.1215.7    |   | main half bushing - mm 0.25 |
| 4   | 0.065.1215.8    |   | main half bushing - mm 0.50 |
| 5   | 0.065.1216.0    | 5 | main half bushing           |
| 5   | 0.065.1216.7    |   | main half bushing - mm 0.25 |
| 5   | 0.065.1216.8    |   | main half bushing - mm 0.50 |
| 6   | 0.065.1218.0    | 4 | shim STANDARD               |
| 6   | 0.065.1218.7    |   | shim + mm 0.10              |
| 6   | 0.065.1218.8    |   | shim + mm 0.15              |
| 8   | 2.1599.524.7    | 1 | washer 21x60x12             |
| 9   | 2.1589.189.0    | 2 | shoulder ring mm 1.00       |
| 11  | 2.1529.073.0    | 1 | special oil seal 110x130x13 |
| 14  | 0.065.1254.0/20 | 1 | gasket                      |
| 15  | 0.007.1711.0/10 | 1 | cover                       |
| 16  | 2.1475.002.2    | 9 | conical washer 8            |
| 17  | 2.0112.207.2    | 9 | screw m 8 p 1.25 x 20       |
| 18  | 2.3130.001.1    | 4 | plug 1/8" gas               |

Section: ENGINE

**CYLINDER - PISTON - CONNECTING ROD**



| Fig. | P/n | QTY | Name |
|------|-----|-----|------|
|------|-----|-----|------|

**Notes:**

[DORADO V 90]

|       |                 |   |  |
|-------|-----------------|---|--|
| 1     | 0.099.0065.A    | 4 | cyl. piston assembly "A"<br>- CLASS A              |
| 1     | 0.099.0065.B    | 4 | cyl. piston assembly "B"<br>- CLASS B              |
| 1.2   | 0.A12.2675.0    | 1 | engine cylinder "A"<br>- CLASS A                   |
| 1.2   | 0.B12.2675.0    | 1 | engine cylinder "B"<br>- CLASS B                   |
| 1.3   | 0.099.0060.A    | 1 | complete piston "A"<br>- CLASS A                   |
| 1.3   | 0.099.0060.B    | 1 | complete piston "B"<br>- CLASS B                   |
| 1.3.1 | 0.081.0090.6/10 | 1 | piston ring set                                    |
| 1.3.2 | 2.1411.014.1    | 2 | circlip 35   |
| 1.3.3 | 0.078.1236.0    | 1 | piston pin Ø 18 / Ø 35 / L = mm 86                 |
| 2     | 0.078.1220.3/30 | 4 | engine connecting rod                              |
| 2.1   | 2.1559.114.0/10 | 1 | special bushing                                    |
| 2.2   | 2.0399.213.0    | 2 | screw m 12 p.1.25x61.5                             |
| 3     | 0.065.1225.0    | 8 | con.rod half bushing STANDARD - A = 28.75 -> 29.00 |
| 3     | 0.065.1225.7    | 8 | con.rod half bushing - mm 0.25                     |
| 3     | 0.065.1225.8    | 8 | con.rod half bushing - mm 0.50                     |

9\_M5212\_01\_0\_0



**Buy Now**



Our support email:

[ebooklibonline@outlook.com](mailto:ebooklibonline@outlook.com)