

Section: B0 - ENGINE

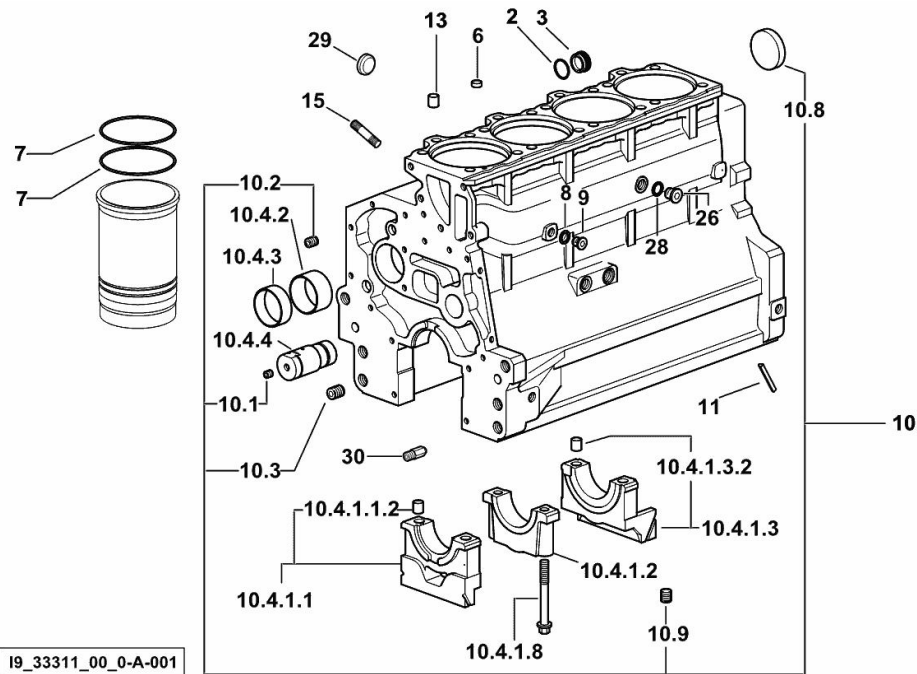
**CRANKCASE**

Fig.	P/n	QTY	Name
------	-----	-----	------

**Notes:**

[EXPLORER 85 2WD -> 35001] [EXPLORER 85 4WD -> 35001]

2	2.1539.047.0	1	special oil seal 26.7x1.78
3	2.3199.405.2	1	plug m 28 p.1.5
6	2.1559.188.2	4	bush 11.4 x 14 x16
7	2.1539.259.0	8	special oil seal 107.62x2.62
8	2.1560.010.0	1	gasket 14.2 x 20
9	2.3199.292.0	1	plug 1/4" gas
10	0.082.1110.6/20	1	crankcase
10.1	2.3130.001.1	11	plug 1/8" gas
10.2	2.3130.002.1	2	plug 1/4" gas
10.3	2.3130.003.1	5	plug 3/8" gas
10.4.1.1	0.065.1112.3	1	support
10.4.1.1.2	2.1699.165.0	1	bush 12.3x15x16
10.4.1.2	0.065.1114.0/10	3	support
10.4.1.3	0.065.1116.3	1	support
10.4.1.3.2	2.1699.165.0	1	bush 12.3x15x16
10.4.1.8	0.065.1117.0	10	screw m 12 x 100
10.4.2	0.012.0829.0	4	special bushing 59X55X20
10.4.3	0.012.0830.0	1	special bushing 59X55X30
10.4.4	0.014.1340.0/10	1	pin mm 85
10.8	2.3179.012.0	1	plug 60
10.9	2.1324.011.0	1	plug
11	0.066.1152.0/10	4	gasket
13	2.1549.154.2	4	bush 4.8x5.8x16
15	2.0432.003.7	14	stud bolt m 8 p.1.25 / p.1 x 20
26	2.3120.101.0	1	plug m 18 p.1.5
28	2.1560.014.0	1	washer 18.2 x 24
29	2.3171.010.4	1	plug 25
30	0.013.4946.0/10	1	sprayer nozzle



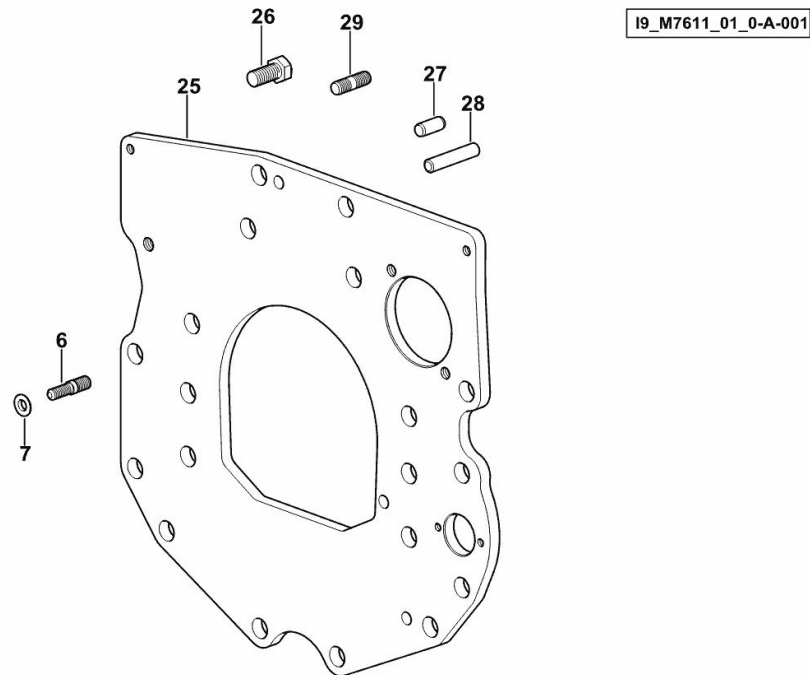
**MONOBLOC ENGINE-GEARBOX CONNECTING FLANGE**

Fig.	P/n	QTY	Name
------	-----	-----	------

**Notes:**

[EXPLORER 85 2WD -&gt; 35001] [EXPLORER 85 4WD -&gt; 35001]

6	2.0439.250.7	1	stud bolt m 12 / m 10 x 30
7	0.011.9294.0/10	1	bush
25	0.066.1130.0/20	1	flange
26	2.0112.511.2	8	screw m 14 p.2 x 30
27	2.1651.912.0	2	cylindrical plug 12x28
28	2.1651.917.0	1	cylindrical plug 12x40
29	2.0432.257.7	1	stud bolt m 12 p.1.75 - 1.25 x 30



**FITTING FOR ENGINE OIL PRESSURE SWITCH**

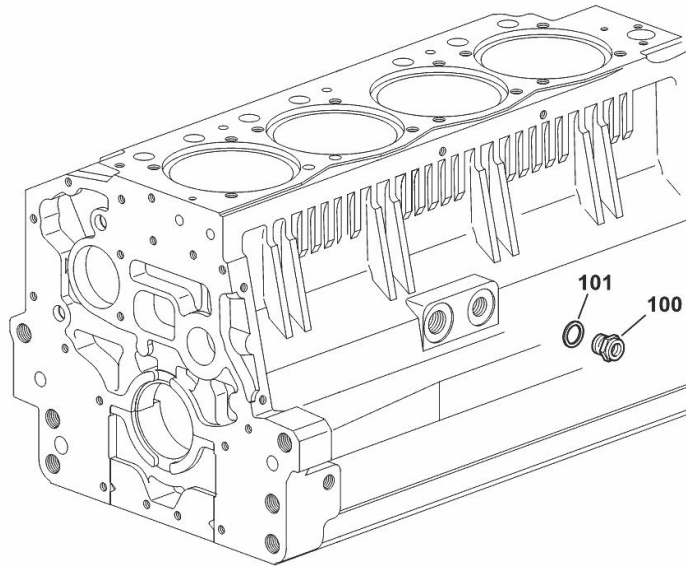
Fig.	P/n	QTY	Name
------	-----	-----	------

**Notes:**

[EXPLORER 85 2WD -&gt; 35001] [EXPLORER 85 4WD -&gt; 35001]

100	2.3339.353.2/20	1	pipe fitting 12 p.1.5-18 p.1.5
101	2.1560.014.0	1	washer 18.2 x 24

19\_37615\_12\_0-A-00



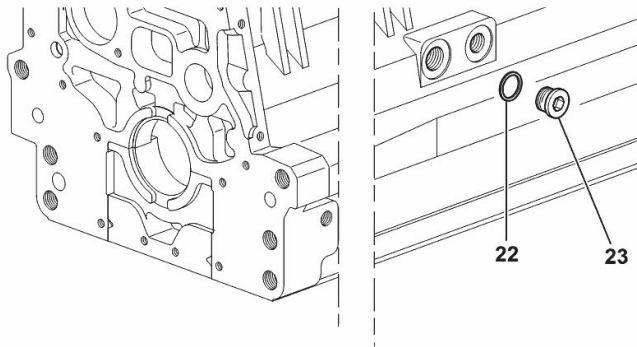
**SIDE PLUG FOR CYLINDER BLOCK**

Fig.	P/n	QTY	Name
------	-----	-----	------

**Notes:**

[EXPLORER 85 2WD -&gt; 35001] [EXPLORER 85 4WD -&gt; 35001]

22	2.1560.017.0	1	gasket 22.2 x 27
23	2.3120.002.4	1	plug m 22 x 1.5



I9\_33211\_07\_0-A-001

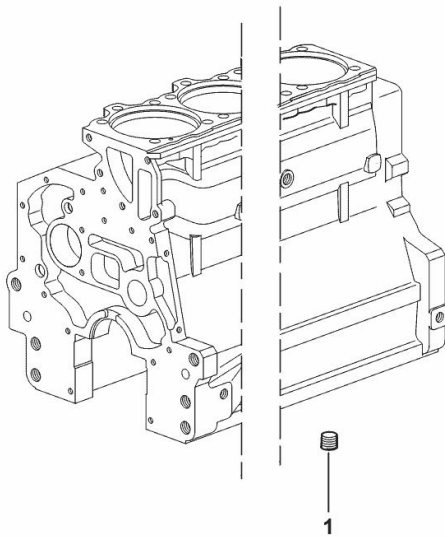
**LOWER PLUG FOR CYLINDER BLOCKS**

Fig.	P/n	QTY	Name
------	-----	-----	------

**Notes:**

[EXPLORER 85 2WD -&gt; 35001] [EXPLORER 85 4WD -&gt; 35001]

1	2.3130.003.1	2	plug 3/8" gas
---	--------------	---	---------------



19\_37511\_06\_0-A-001

Section: B0 - ENGINE

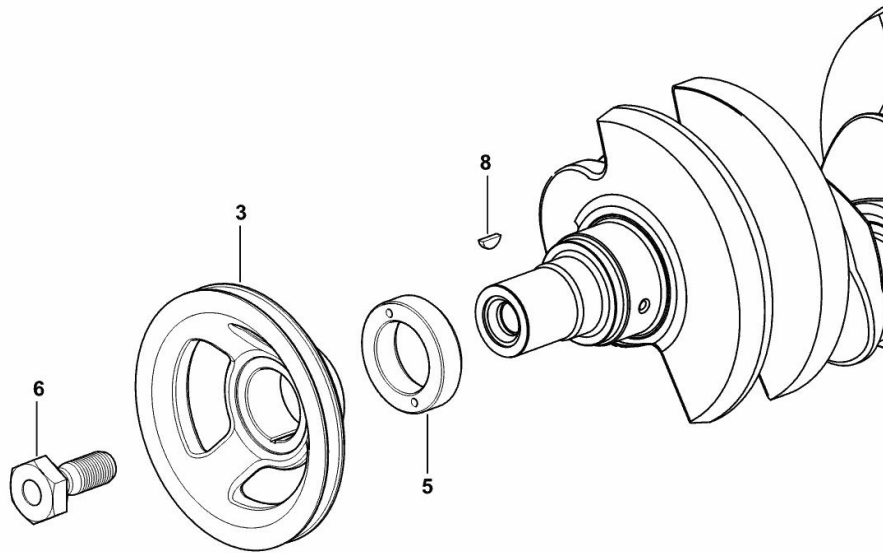
**CRANKSHAFT PULLEY**

Fig.	P/n	QTY	Name
------	-----	-----	------

**Notes:**

[EXPLORER 85 2WD -&gt; 35001] [EXPLORER 85 4WD -&gt; 35001]

3	0.007.1457.0/30	1	pulley
5	0.085.1248.0/20	1	hub
6	2.0399.144.7/10	1	screw m 20 p.1.5x51
8	2.1720.006.0	1	key 4x6.5



9\_33312\_02\_0-A-001

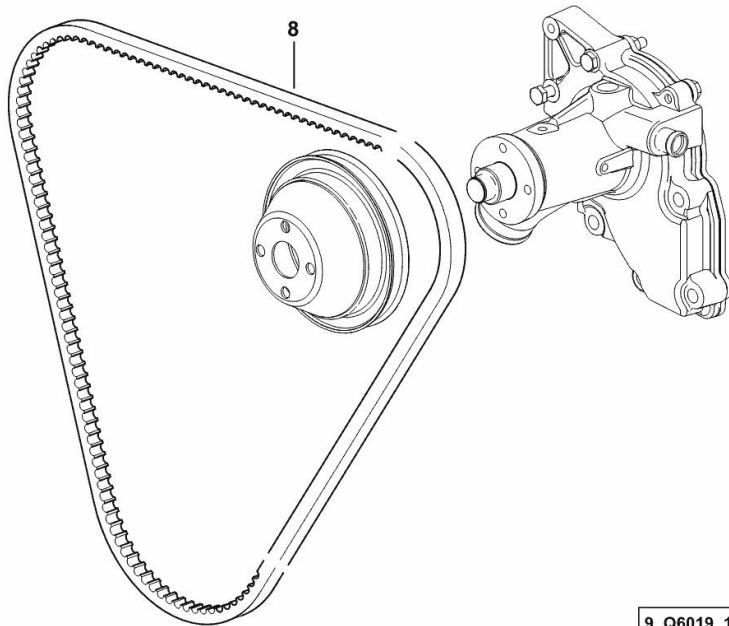
**COOLANT PUMP AND ALTERNATOR DRIVEBELT**

Fig.	P/n	QTY	Name
------	-----	-----	------

**Notes:**

[EXPLORER 85 2WD -&gt; 35001] [EXPLORER 85 4WD -&gt; 35001]

8	2.4119.193.0	1	vee belt AV 10 x 1254 mm
---	--------------	---	--------------------------



9\_Q6019\_10\_0-B-001

**Buy Now**



Our support email:

[ebooklibonline@outlook.com](mailto:ebooklibonline@outlook.com)