

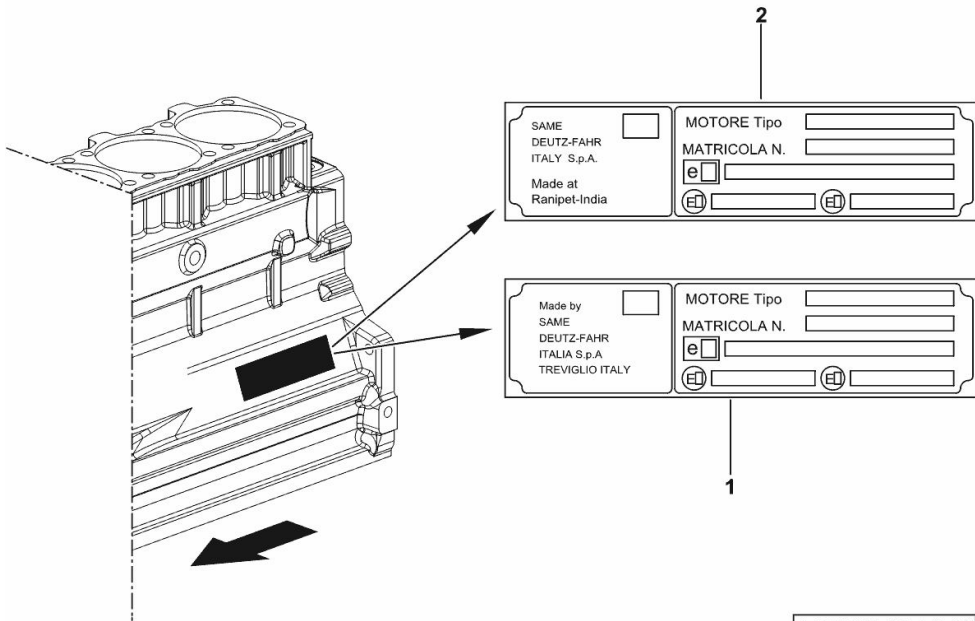
ENGINE TYPE-APPROVAL DATA PLATE

| Fig. | P/n | QTY | Name |
|------|-----|-----|------|
|------|-----|-----|------|

Notes:

[EXPLORER II 95 Special 2WD -> 15000] [EXPLORER II 95 Special 4WD -> 15000]

| | | | |
|---|--------------|--|---|
| 1 | 0.000.0000.1 | | cannot be supplied MADE BY TREVIGLIO ITALY |
| 2 | 0.000.0000.1 | | cannot be supplied MADE AT RANIPET - INDIA |



9_STA000_00_0-A-001

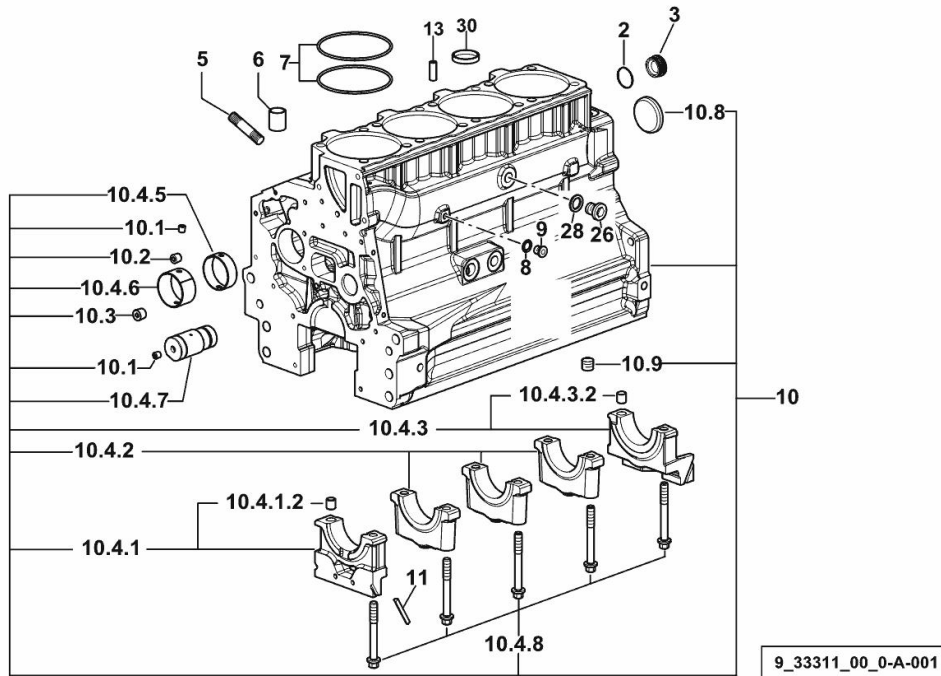
CRANKCASE

| Fig. | P/n | QTY | Name |
|------|-----|-----|------|
|------|-----|-----|------|

Notes:

FOR ENGINES PRODUCED IN : TREVIGLIO ITALY [EXPLORER II 95 Special 2WD -> 15000] FOR ENGINES PRODUCED IN : TREVIGLIO ITALY [EXPLORER II 95 Special 4WD -> 15000]

| | | | |
|----------|-----------------|----|---------------------------------|
| 2 | 2.1532.072.0 | 1 | oil seal 26.70x1.78 |
| 3 | 2.3199.405.2 | 1 | plug m 28 p.1.5 |
| 5 | 2.0432.003.7 | 12 | stud bolt m 8 p.1.25 / p.1 x 20 |
| 6 | 2.1559.188.2 | 4 | bush 11.4 x 14 x16 |
| 7 | 2.1539.259.0 | 8 | special oil seal 107.62x2.62 |
| 8 | 2.1560.010.0 | 1 | gasket 14.2 x 20 |
| 9 | 2.3199.292.0 | 1 | plug 1/4" gas |
| 10 | 0.012.3763.4/10 | 1 | crankcase |
| 10.1 | 2.3130.001.1 | 11 | plug 1/8" gas |
| 10.2 | 2.3130.002.1 | 2 | plug 1/4" gas |
| 10.3 | 2.3130.003.1 | 5 | plug 3/8" gas |
| 10.4.1 | 0.065.1112.3 | 1 | support |
| 10.4.1.2 | 2.1699.165.0 | 1 | bush 12.3x15x16 |
| 10.4.2 | 0.065.1114.0/10 | 3 | support |
| 10.4.3 | 0.065.1116.3 | 1 | support |
| 10.4.3.2 | 2.1699.165.0 | 1 | bush 12.3x15x16 |
| 10.4.5 | 0.065.1140.0 | 4 | special bushing 59X55X20 |
| 10.4.6 | 0.065.1141.0 | 1 | special bushing 59X55X30 |
| 10.4.7 | 0.066.1151.0 | 1 | pin |
| 10.4.8 | 0.065.1117.0 | 10 | screw m 12 x 100 |
| 10.8 | 2.3179.012.0 | 1 | plug 60 |
| 10.9 | 2.1324.011.0 | 1 | plug |
| 11 | 0.066.1152.0/10 | 4 | gasket |
| 13 | 2.1549.154.2 | 4 | bush 4.8x5.8x16 |
| 26 | 2.3120.101.0 | 1 | plug m 18 p.1.5 |
| 28 | 2.1560.014.0 | 1 | washer 18.2 x 24 |
| 30 | 2.3171.010.4 | 1 | plug 25 |



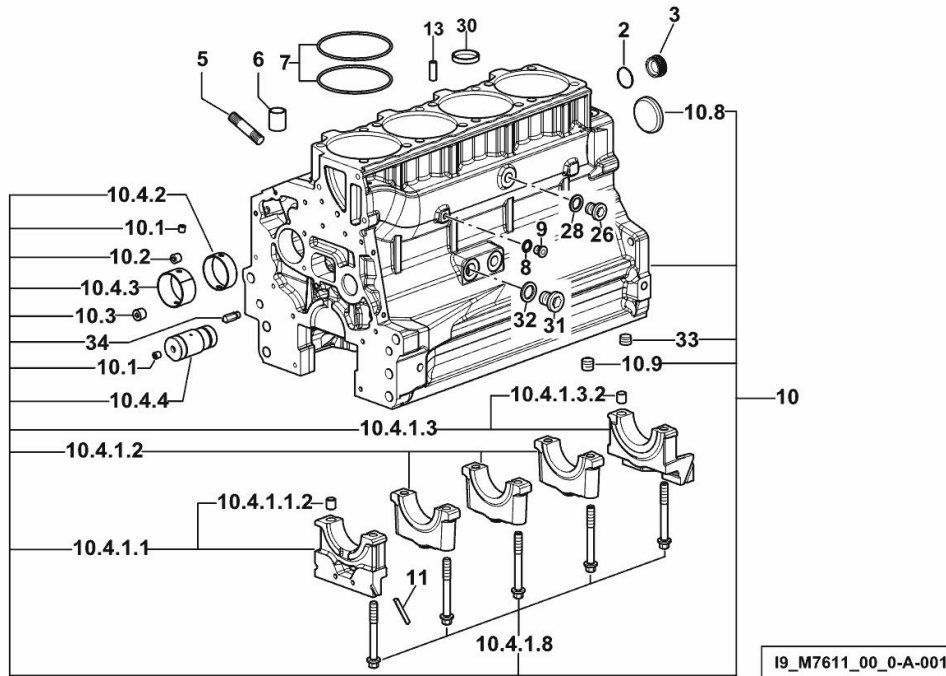
CRANKCASE

| Fig. | P/n | QTY | Name |
|------|-----|-----|------|
|------|-----|-----|------|

Notes:

FOR ENGINES PRODUCED IN : RANIPET - INDIA [EXPLORER II 95 Special 2WD -> 15000] FOR ENGINES PRODUCED IN : RANIPET - INDIA [EXPLORER II 95 Special 4WD -> 15000]

| | | | |
|------------|-----------------|----|---------------------------------|
| 2 | 2.1532.072.0 | 1 | oil seal 26.70x1.78 |
| 3 | 2.3199.405.2 | 1 | plug m 28 p.1.5 |
| 5 | 2.0432.003.7 | 12 | stud bolt m 8 p.1.25 / p.1 x 20 |
| 6 | 2.1559.188.2 | 4 | bush 11.4 x 14 x16 |
| 7 | 2.1539.259.0 | 8 | special oil seal 107.62x2.62 |
| 8 | 2.1560.010.0 | 1 | gasket 14.2 x 20 |
| 9 | 2.3199.292.0 | 1 | plug 1/4" gas |
| 10 | 0.014.8702.4/10 | 1 | crankcase |
| 10.1 | 2.3130.001.1 | 11 | plug 1/8" gas |
| 10.2 | 2.3130.002.1 | 2 | plug 1/4" gas |
| 10.3 | 2.3130.003.1 | 5 | plug 3/8" gas |
| 10.4.1.1 | 0.065.1112.3 | 1 | support |
| 10.4.1.1.2 | 2.1699.165.0 | 1 | bush 12.3x15x16 |
| 10.4.1.2 | 0.065.1114.0/10 | 3 | support |
| 10.4.1.3 | 0.065.1116.3 | 1 | support |
| 10.4.1.3.2 | 2.1699.165.0 | 1 | bush 12.3x15x16 |
| 10.4.1.8 | 0.065.1117.0 | 10 | screw m 12 x 100 |
| 10.4.2 | 0.012.0829.0 | 4 | special bushing 59X55X20 |
| 10.4.3 | 0.012.0830.0 | 1 | special bushing 59X55X30 |
| 10.4.4 | 0.014.1340.0/10 | 1 | pin mm 85 |
| 10.8 | 2.3179.012.0 | 1 | plug 60 |
| 10.9 | 2.1324.011.0 | 1 | plug |
| 11 | 0.066.1152.0/10 | 4 | gasket |
| 13 | 2.1549.154.2 | 4 | bush 4.8x5.8x16 |
| 26 | 2.3120.101.0 | 1 | plug m 18 p.1.5 |
| 28 | 2.1560.014.0 | 1 | washer 18.2 x 24 |
| 30 | 2.3171.010.4 | 1 | plug 25 |
| 31 | 2.3120.002.4 | 1 | plug m 22 x 1.5 |
| 32 | 2.1560.017.0 | 1 | gasket 22.2 x 27 |
| 33 | 2.3130.003.1 | 2 | plug 3/8" gas |
| 34 | 0.013.4946.0/10 | 1 | sprayer nozzle |



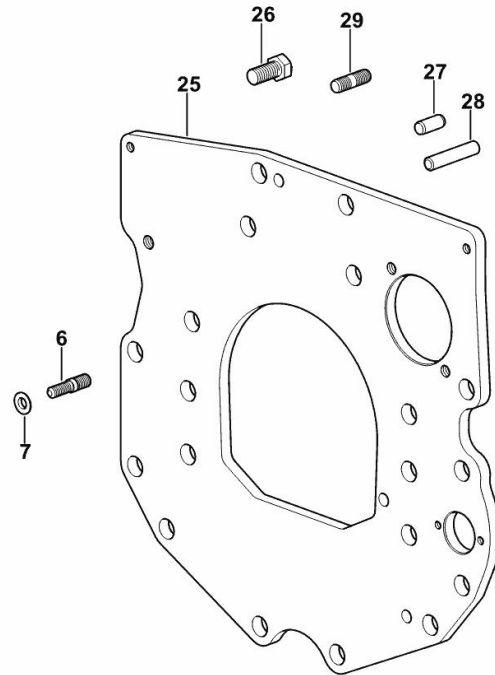
MONOBLOC ENGINE-GEARBOX CONNECTING FLANGE

| Fig. | P/n | QTY | Name |
|------|-----|-----|------|
|------|-----|-----|------|

Notes:

FOR ENGINES PRODUCED IN : TREVIGLIO ITALY [EXPLORER II 95 Special 2WD -> 15000] FOR ENGINES PRODUCED IN : TREVIGLIO ITALY [EXPLORER II 95 Special 4WD -> 15000]

| | | | |
|----|-----------------|---|-----------------------------------|
| 6 | 2.0439.250.7 | 1 | stud bolt m 12 / m 10 x 30 |
| 7 | 0.011.9294.0/10 | 1 | bush |
| 25 | 0.066.1130.0/20 | 1 | flange |
| 26 | 2.0112.511.2 | 8 | screw m 14 p.2 x 30 |
| 27 | 2.1651.912.0 | 2 | cylindrical plug 12x28 |
| 28 | 2.1651.917.0 | 1 | cylindrical plug 12x40 |
| 29 | 2.0432.257.7 | 1 | stud bolt m 12 p.1.75 - 1.25 x 30 |



9_33011_01_0-A-001

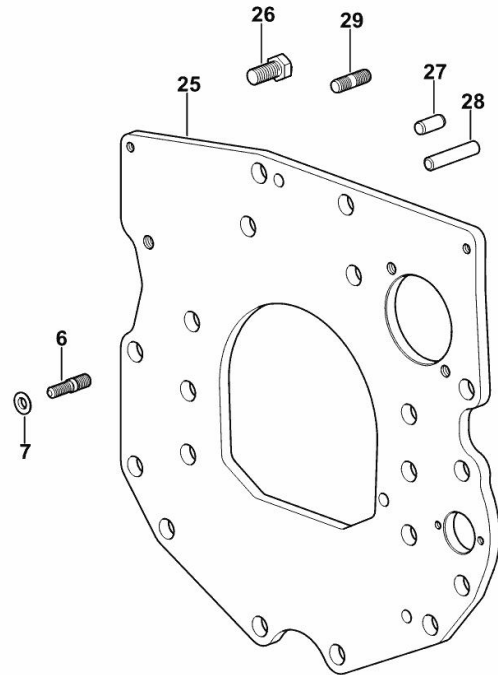
MONOBLOC ENGINE-GEARBOX CONNECTING FLANGE

| Fig. | P/n | QTY | Name |
|------|-----|-----|------|
|------|-----|-----|------|

Notes:

FOR ENGINES PRODUCED IN : RANIPET - INDIA [EXPLORER II 95 Special 2WD -> 15000] FOR ENGINES PRODUCED IN : RANIPET - INDIA [EXPLORER II 95 Special 4WD -> 15000]

| | | | |
|----|-----------------|---|-----------------------------------|
| 6 | 2.0439.250.7 | 1 | stud bolt m 12 / m 10 x 30 |
| 7 | 0.011.9294.0/10 | 1 | bush |
| 25 | 0.066.1130.0/20 | 1 | flange |
| 26 | 2.0112.511.2 | 8 | screw m 14 p.2 x 30 |
| 27 | 2.1651.912.0 | 2 | cylindrical plug 12x28 |
| 28 | 2.1651.917.0 | 1 | cylindrical plug 12x40 |
| 29 | 2.0432.257.7 | 1 | stud bolt m 12 p.1.75 - 1.25 x 30 |



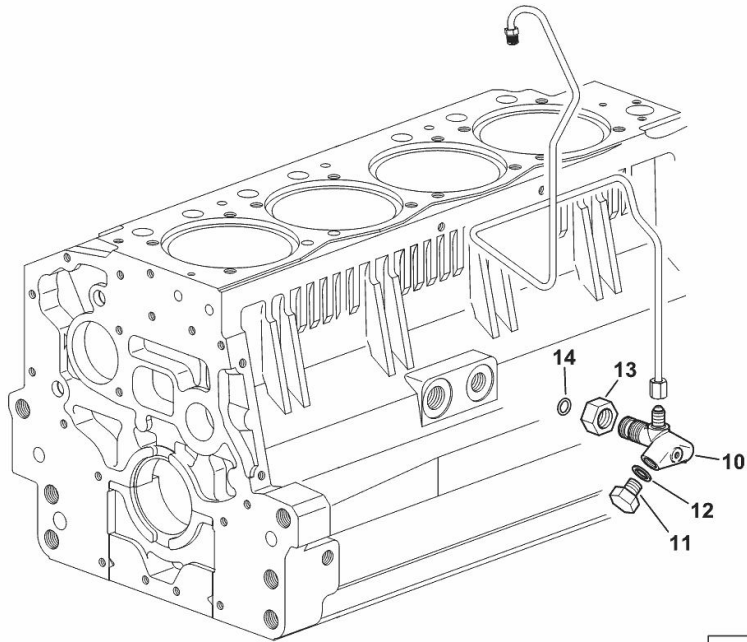
ENGINE OIL AND TURBO PRESSURE SWITCH UNION

| Fig. | P/n | QTY | Name |
|------|-----|-----|------|
|------|-----|-----|------|

Notes:

FOR ENGINES PRODUCED IN : TREVIGLIO ITALY [EXPLORER II 95 Special 2WD -> 15000] FOR ENGINES
PRODUCED IN : TREVIGLIO ITALY [EXPLORER II 95 Special 4WD -> 15000]

| | | | |
|----|-----------------|---|---------------------|
| 10 | 2.3339.787.0/10 | 1 | pipe fitting 7/16" |
| 11 | 2.3110.403.1 | 1 | plug m 14 p.1.5x12 |
| 12 | 2.1560.010.0 | 1 | gasket 14.2 x 20 |
| 13 | 2.1019.129.2/10 | 1 | nut m 18 p.1.5x12 |
| 14 | 2.1533.038.0 | 1 | oil seal 15.45x2.62 |



9_N7615_02_0-B-001

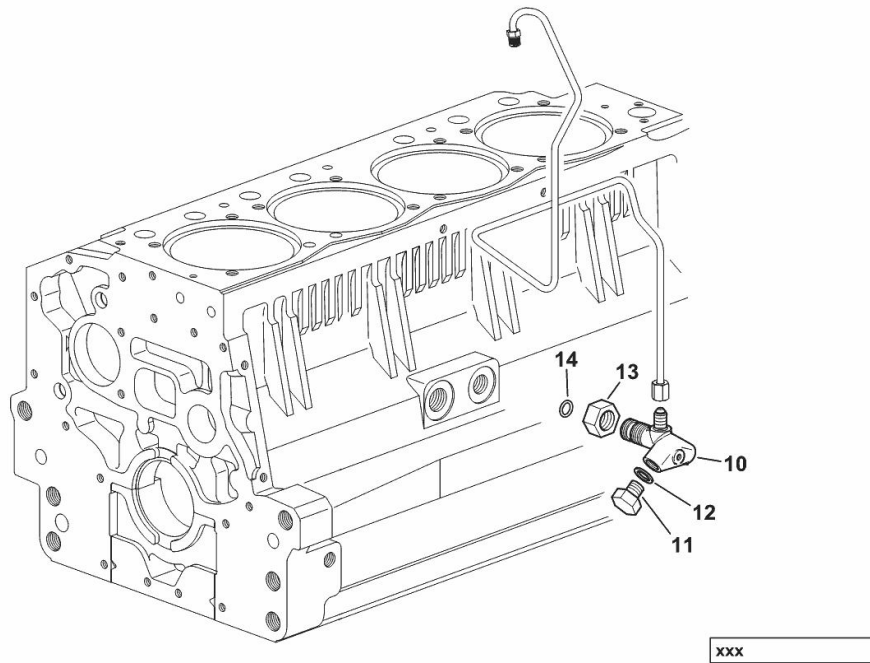
ENGINE OIL AND TURBO PRESSURE SWITCH UNION

| Fig. | P/n | QTY | Name |
|------|-----|-----|------|
|------|-----|-----|------|

Notes:

FOR ENGINES PRODUCED IN : RANIPET - INDIA [EXPLORER II 95 Special 2WD -> 15000] FOR ENGINES PRODUCED IN : RANIPET - INDIA [EXPLORER II 95 Special 4WD -> 15000]

| | | | |
|----|-----------------|---|---------------------|
| 10 | 2.3339.787.0/10 | 1 | pipe fitting 7/16" |
| 11 | 2.3110.403.1 | 1 | plug m 14 p.1.5x12 |
| 12 | 2.1560.010.0 | 1 | gasket 14.2 x 20 |
| 13 | 2.1019.129.2/10 | 1 | nut m 18 p.1.5x12 |
| 14 | 2.1533.038.0 | 1 | oil seal 15.45x2.62 |

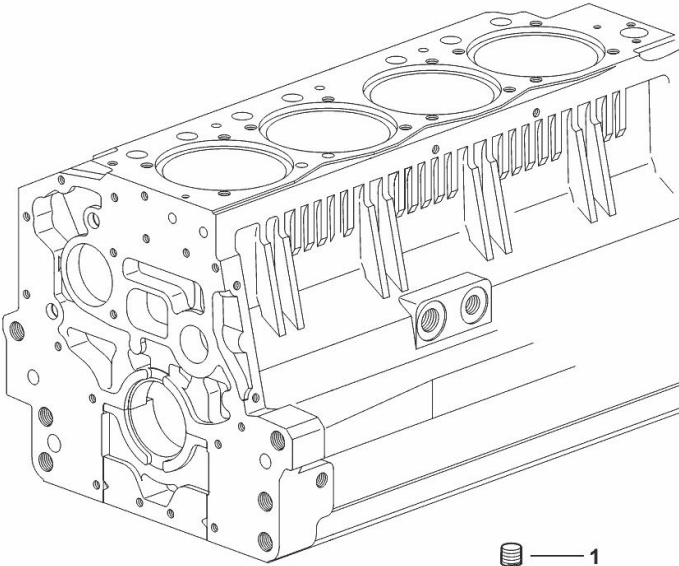


PLUG

| Fig. | P/n | QTY | Name |
|------|-----|-----|------|
|------|-----|-----|------|

Notes:
 FOR ENGINES PRODUCED IN : TREVIGLIO ITALY [EXPLORER II 95 Special 2WD -> 15000] FOR ENGINES
 PRODUCED IN : TREVIGLIO ITALY [EXPLORER II 95 Special 4WD -> 15000]

| | | | |
|---|--------------|---|---------------|
| 1 | 2.3130.003.1 | 1 | plug 3/8" gas |
|---|--------------|---|---------------|



9_34311_06_0-A-001

Buy Now



Our support email:

ebooklibonline@outlook.com