

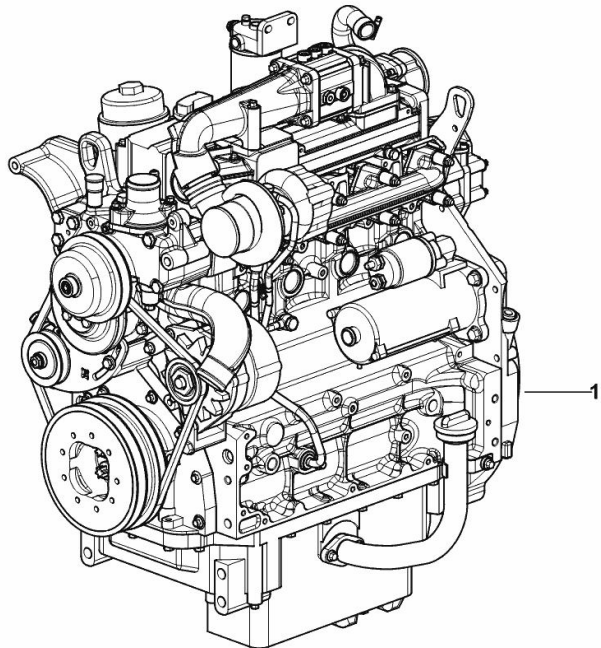
ENGINE

Fig.	P/n	QTY	Name
------	-----	-----	------

Notes:

[EXPLORER³ 100 CLASSIC]

1	25007152	1	engine ON ORDERING PLEASE ENGINE NO. REQUIRED
---	----------	---	---



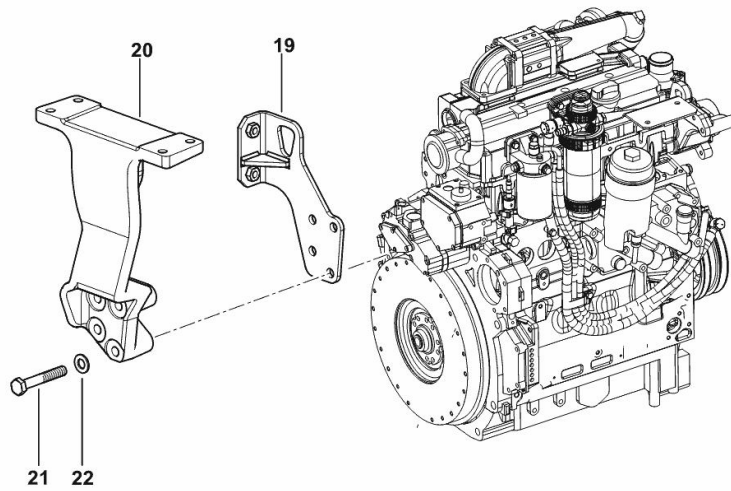
9_N9219_01_0-A-001

SUPPORTS

Fig.	P/n	QTY	Name
------	-----	-----	------

Notes:[EXPLORER³ 100 CLASSIC]

19	0.014.9247.3/20	1	bracket
20	0.010.6442.0/10	1	bracket
21	2.0112.322.2	4	screw m 10 p.1.5x65
22	2.1475.003.2	4	washer 10



9_N9116_01_0-B-001

SERIE GUARNIZIONI

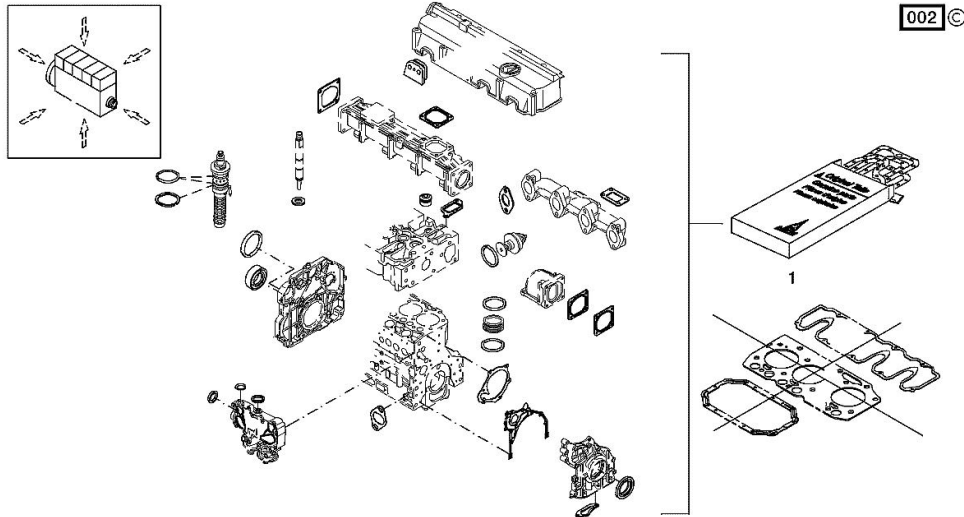
Fig.	P/n	QTY	Name
------	-----	-----	------

Notes:

[EXPLORER³ 100 CLASSIC]

Engine serial number:

10442711 10442723 10442728 10444925 10444940 10444947 10444956 10444958 10444959 10444962 10448709
 10448715 10448723 10448726 10448730 10448734 10448737 10448739 10448740 10448741 10448743 10448744
 10448745 10448746 10449475 10449487 10466221 10470156 10470187 10490935 10494697 10494700 10494705
 10498476 10498510 10498517 10500453 10500456 10500465 10511647 10511658 10511664 10511665 10511674
 10511676 10511677 10511678 10511681 10511683 10511687 10523436 10523440 10523458 10523468 10523472
 10523474 10523477 10523479 10523480 10523482 10523483 10523484 10543265 10543270 10543271 10543272
 10543274 10543275 10543277 10543284 10543285 10543286 10543288 10543291 10543299 10543301 10543302
 10543304 10543309 10543313 10543316 10543322 10724067 10724849 10724854 10724859 10724860 10724863
 10724869 10724887 10731247 10731255 10733432 10733435 10733440 10740250 10740253 10740298 10740311
 10742187 10742188 10742190 10742193 10742194 10742196 10742197 10742198 10742199 10742201 10744383
 10744388 10744389 10744390 10744394 10747804 10747808 10747813 10747814 10747817 10747822 10748594
 10748596 10748600 10748601 10748603 10748605 10748610 10748611 10748612 10748615 10749986 10751314
 10751316 10751317 10751324 10751325 10751326 10751328 10751335 10751336 66000010 66000013 66000019
 66000028 66000064 66000131 66000137 66000143 66000159 66000163 66000171 66000175 66000181 66000182
 66000183 66000190 66000193 66000202 66000207 66000212 66000251 66000253 66000257 66000261 66000266
 66000268 66000273 66000275 66000283 66000305 66000307 66000308 66000309 66000311 66000312 66000313
 66000314 66000315 66000316 66000319 66000321 66000322 66000327 66000330 66000331 66000333 66000337
 66000370 66000376 66000378 66000408 66000455 66000457 66000463 66000469 66000471 66000475
 66000476 66000477 66000511 66000543 66000549 66000553 66000555 66000563 66000567 66000569 66000571
 66000573 66000589 66000615 66000617 66000619 66000621



1	02937585	1	gasket set THE KIT DOES NOT CONTAIN ALL THE GASKETS: SEE SM 0199-99-9449
---	----------	---	--

FASTENINGS

Fig.	P/n	QTY	Name
------	-----	-----	------

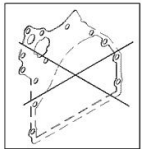
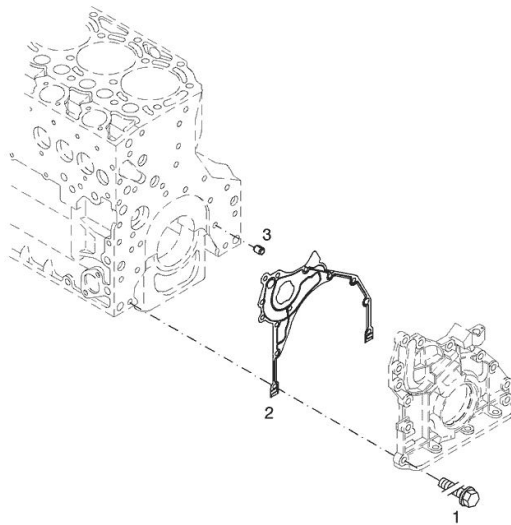
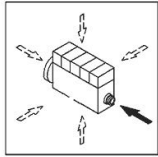
Notes:

[EXPLORER³ 100 CLASSIC]

Engine serial number:

10442711 10442723 10442728 10444925 10444940 10444947 10444956 10444958 10444959 10444962 10448709
 10448715 10448723 10448726 10448730 10448734 10448737 10448739 10448740 10448741 10448743 10448744
 10448745 10448746 10449475 10449487 10466221 10470156 10470187 10490935 10494697 10494700 10494705
 10498476 10498510 10498517 10500453 10500456 10500465 10511647 10511658 10511664 10511665 10511674
 10511676 10511677 10511678 10511681 10511683 10511687 10523436 10523440 10523458 10523468 10523472
 10523474 10523477 10523479 10523480 10523482 10523483 10523484 10543265 10543270 10543271 10543272
 10543274 10543275 10543277 10543284 10543285 10543286 10543288 10543291 10543299 10543301 10543302
 10543304 10543309 10543313 10543316 10543322 10724067 10724849 10724854 10724859 10724860 10724863
 10724869 10724887 10731247 10731255 10733432 10733435 10733440 10740250 10740253 10740298 10740311
 10742187 10742188 10742190 10742193 10742194 10742196 10742197 10742198 10742199 10742201 10744383
 10744388 10744389 10744390 10744394 10747804 10747808 10747813 10747814 10747817 10747822 10748594
 10748596 10748600 10748601 10748603 10748605 10748610 10748611 10748612 10748615 10749986 10751314
 10751316 10751317 10751324 10751325 10751326 10751328 10751335 10751336 66000010 66000013 66000019
 66000028 66000064 66000131 66000137 66000143 66000159 66000163 66000171 66000175 66000181 66000182
 66000183 66000190 66000193 66000202 66000207 66000212 66000251 66000253 66000257 66000261 66000266
 66000268 66000273 66000275 66000283 66000305 66000307 66000308 66000309 66000311 66000312 66000313
 66000314 66000315 66000316 66000319 66000321 66000322 66000327 66000330 66000331 66000333 66000337
 66000370 66000376 66000378 66000408 66000455 66000457 66000463 66000467 66000469 66000471 66000475
 66000476 66000477 66000511 66000543 66000549 66000553 66000555 66000563 66000567 66000569 66000571
 66000573 66000589 66000615 66000617 66000619 66000621

003 ©



1	01183645	12	screw EN 1662 -F-M8X35-10.9-ZNAL-A
2	04504325	1	gasket
3	01181406	1	bushing H 2341 -B11X8-FE/ZN12C*

BUSH

Fig.	P/n	QTY	Name
------	-----	-----	------

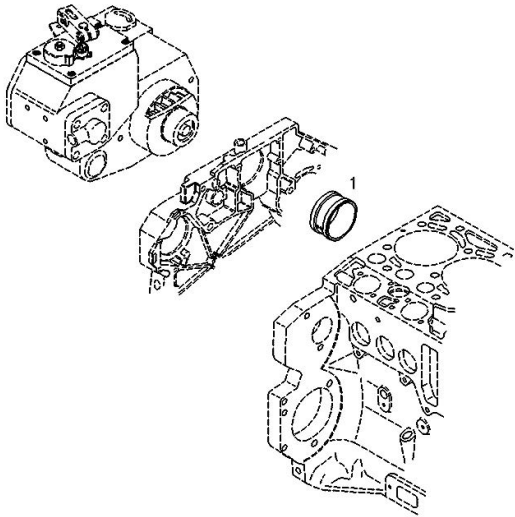
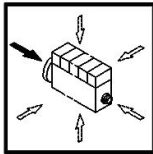
Notes:

[EXPLORER³ 100 CLASSIC]

Engine serial number:

10442711 10442723 10442728 10444925 10444940 10444947 10444956 10444958 10444959 10444962 10448709
 10448715 10448723 10448726 10448730 10448734 10448737 10448739 10448740 10448741 10448743 10448744
 10448745 10448746 10449475 10449487 10466221 10470156 10470187 10490935 10494697 10494700 10494705
 10498476 10498510 10498517 10500453 10500456 10500465 10511647 10511658 10511664 10511665 10511674
 10511676 10511677 10511678 10511681 10511683 10511687 10523436 10523440 10523458 10523468 10523472
 10523474 10523477 10523479 10523480 10523482 10523483 10523484 10543265 10543270 10543271 10543272
 10543274 10543275 10543277 10543284 10543285 10543286 10543288 10543291 10543299 10543301 10543302
 10543304 10543309 10543313 10543316 10543322 10724067 10724849 10724854 10724859 10724860 10724863
 10724869 10724887 10731247 10731255 10733432 10733435 10733440 10740250 10740253 10740298 10740311
 10742187 10742188 10742190 10742193 10742194 10742196 10742197 10742198 10742199 10742201 10744383
 10744388 10744389 10744390 10744394 10747804 10747808 10747813 10747814 10747817 10747822 10748594
 10748596 10748600 10748601 10748603 10748605 10748610 10748611 10748612 10748615 10749986 10751314
 10751316 10751317 10751324 10751325 10751326 10751328 10751335 10751336 66000010 66000013 66000019
 66000028 66000064 66000131 66000137 66000143 66000159 66000163 66000171 66000175 66000181 66000182
 66000183 66000190 66000193 66000202 66000207 66000212 66000251 66000253 66000257 66000261 66000266
 66000268 66000273 66000275 66000283 66000305 66000307 66000308 66000309 66000311 66000312 66000313
 66000314 66000315 66000316 66000319 66000321 66000322 66000327 66000330 66000331 66000333 66000337
 66000370 66000376 66000378 66000408 66000455 66000457 66000463 66000467 66000469 66000471 66000475
 66000476 66000477 66000511 66000543 66000549 66000553 66000555 66000563 66000567 66000569 66000571
 66000573 66000589 66000615 66000617 66000619 66000621

002



0507 2810

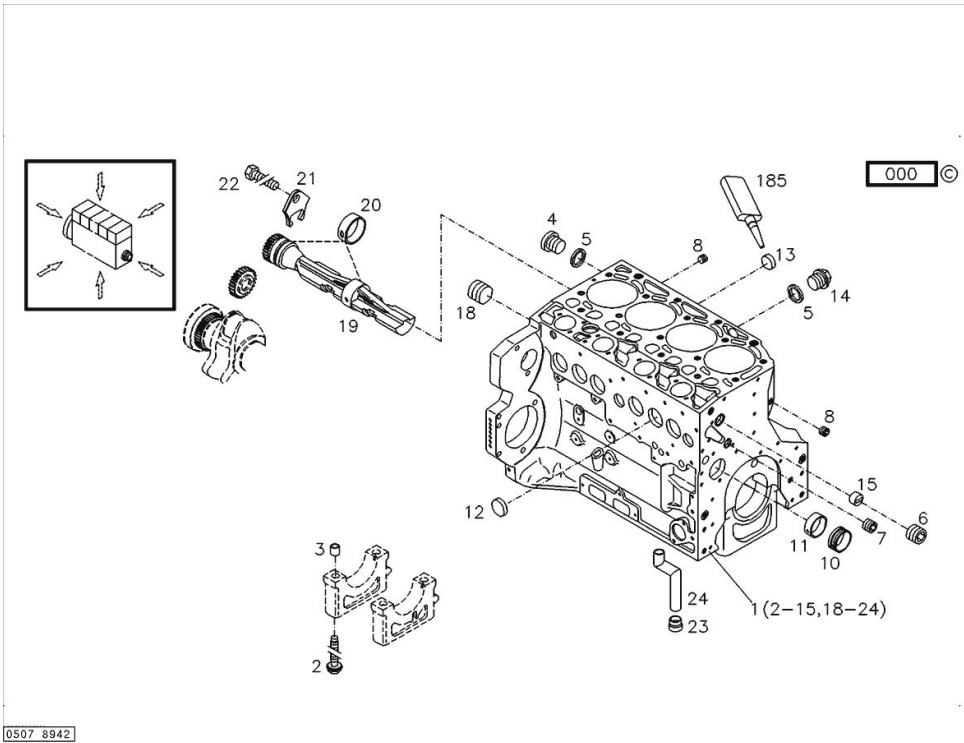
1	02111679	1	bush
---	----------	---	------

Fig.	P/n	QTY	Name
------	-----	-----	------

Notes:
 [EXPLORER³ 100 CLASSIC]

Engine serial number:

10442711 10442723 10442728 10444925 10444940 10444947 10444956 10444958 10444959 10444962 10448709
 10448715 10448723 10448726 10448730 10448734 10448737 10448739 10448740 10448741 10448743 10448744
 10448745 10448746 10449475 10449487 10466221 10470156 10470187 10490935 10494697 10494700 10494705
 10498476 10498510 10498517 10500453 10500456 10500465 10511647 10511658 10511664 10511665 10511674
 10511676 10511677 10511678 10511681 10511683 10511687 10523436 10523440 10523458 10523468 10523472
 10523474 10523477 10523479 10523480 10523482 10523483 10523484 10543265 10543270 10543271 10543272
 10543274 10543275 10543277 10543284 10543285 10543286 10543288 10543291 10543299 10543301 10543302
 10543304 10543309 10543313 10543316 10543322 10724067 10724849 10724854 10724859 10724860 10724863
 10724869 10724887 10731247 10731255 10733432 10733435 10733440 66000010 66000013 66000019 66000028
 66000064 66000131 66000137 66000143 66000159 66000163 66000171 66000175 66000181 66000182 66000183
 66000190 66000193 66000202 66000207 66000212 66000251 66000253 66000257 66000261 66000266 66000268
 66000273 66000275 66000283 66000305 66000307 66000308 66000309 66000311 66000312 66000313 66000314
 66000315 66000316 66000319 66000321 66000322 66000327 66000330 66000331 66000333 66000337 66000370
 66000376 66000378 66000408 66000455 66000457 66000463 66000467 66000469 66000471 66000475 66000476
 66000477 66000511 66000543 66000549 66000553 66000555 66000563 66000567 66000569 66000571 66000573
 66000589 66000615 66000617 66000619 66000621

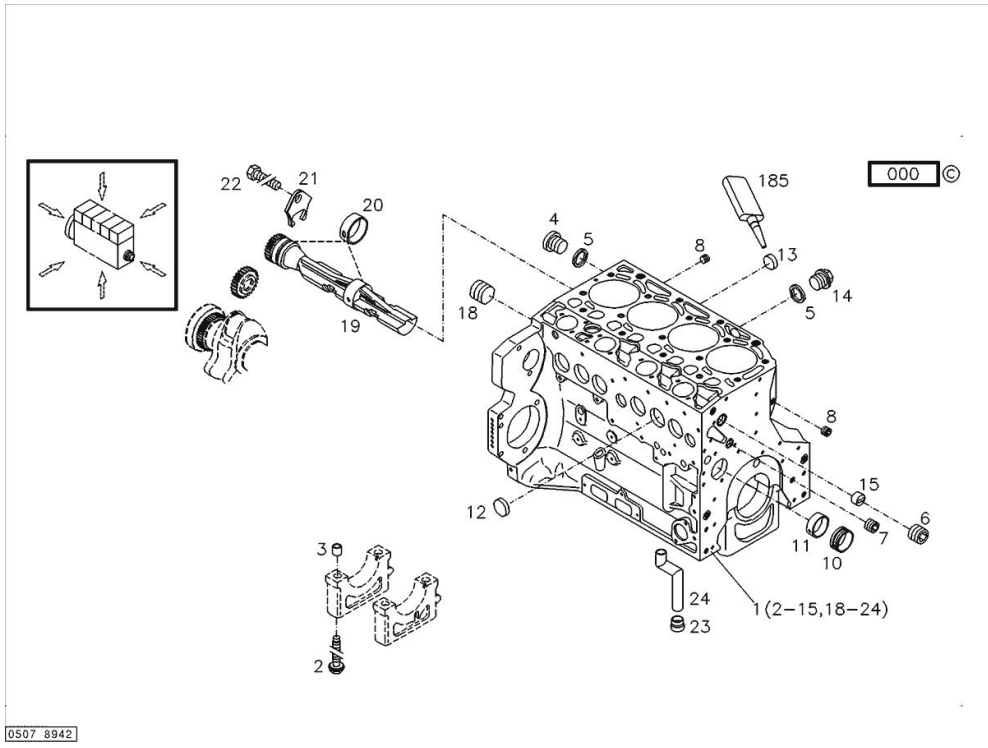


185	01319911	1	sealing compound ml. 50
1	04289939	1	crankcase MIT POS.... (2-15,18-24)
2	04254240	10	screw 50 Nm , 90° , 90°
3	04160764	10	bushing
4	01110423	1	screw 35 Nm DIN 908 -M14X1,5-ST-ZNPHRF
5	01118693	3	gasket 14x20 DIN 7603 -A14X20-CU
6	01180890	1	screw 95 Nm H 2812 -906-M30X1,5-ST-A4C-PRE80
7	01180906	1	screw H 2812 -906-M22X1,5-ST-A4C-PRE80
8	01182031	2	screw 35 Nm H 2812 -906-M14X1,5-ST-A3C-LOCTITE506
10	04251884	4	plug
11	04250086	1	ring
12	01148032	6	cover DIN 443 -A45-ZNPHR

0507 8942

KURBELGEHAEUSE

Fig.	P/n	QTY	Name
13	01179634	4	plug H 2860 -A36-ST-FE/ZNPHR
14	01100940	2	screw 35 Nm DIN 7604 -AM14X1,5-ST-A4C
15	04202518	1	sleeve
18	04226536	1	bottom 30 Nm
19	04259301	2	shaft
20	04252834	4	bush
21	04251810	2	plug
22	01181672	2	nut H 2091 -4017-M8X16-10.9-GESCHW-MK-1.0
23	04255998	1	ring
24	04254026	1	piping



BLEEDING TUBE

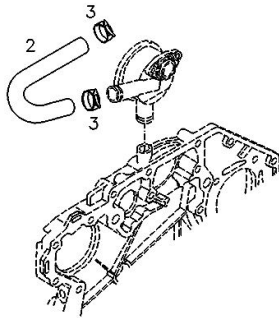
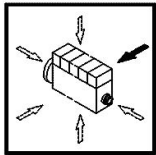
Fig.	P/n	QTY	Name
------	-----	-----	------

Notes:
[EXPLORER³ 100 CLASSIC]

Engine serial number:

10442711 10442723 10442728 10444925 10444940 10444947 10444956 10444958 10444959 10444962 10448709
 10448715 10448723 10448726 10448730 10448734 10448737 10448739 10448740 10448741 10448743 10448744
 10448745 10448746 10449475 10449487 10466221 10470156 10470187 10490935 10494697 10494700 10494705
 10498476 10498510 10498517 10500453 10500456 10500465 10511647 10511658 10511664 10511665 10511674
 10511676 10511677 10511678 10511681 10511683 10511687 10523436 10523440 10523458 10523468 10523472
 10523474 10523477 10523479 10523480 10523482 10523483 10523484 10543265 10543270 10543271 10543272
 10543274 10543275 10543277 10543284 10543285 10543286 10543288 10543291 10543299 10543301 10543302
 10543304 10543309 10543313 10543316 10543322 10724067 10724849 10724854 10724859 10724860 10724863
 10724869 10724887 10731247 10731255 10733432 10733435 10733440 10740250 10740253 10740298 10740311
 10742187 10742188 10742190 10742193 10742194 10742196 10742197 10742198 10742199 10742201 10744383
 10744388 10744389 10744390 10744394 10747804 10747808 10747813 10747814 10747817 10747822 10748594
 10748596 10748600 10748601 10748603 10748605 10748610 10748611 10748612 10748615 10749986 10751314
 10751316 10751317 10751324 10751325 10751326 10751328 10751335 10751336 66000010 66000013 66000019
 66000028 66000064 66000131 66000137 66000143 66000159 66000163 66000171 66000175 66000181 66000182
 66000183 66000190 66000193 66000202 66000207 66000212 66000251 66000253 66000257 66000261 66000266
 66000268 66000273 66000275 66000283 66000305 66000307 66000308 66000309 66000311 66000312 66000313
 66000314 66000315 66000316 66000319 66000321 66000322 66000327 66000330 66000331 66000333 66000337
 66000370 66000376 66000378 66000408 66000455 66000457 66000463 66000469 66000471 66000475
 66000476 66000477 66000511 66000543 66000549 66000553 66000555 66000563 66000567 66000569 66000571
 66000573 66000589 66000615 66000617 66000619 66000621

000 ©



2	04258132	1	tube
3	01178750	2	clamp DIN 3021 -A-29X15

Buy Now



Our support email:

ebooklibonline@outlook.com