

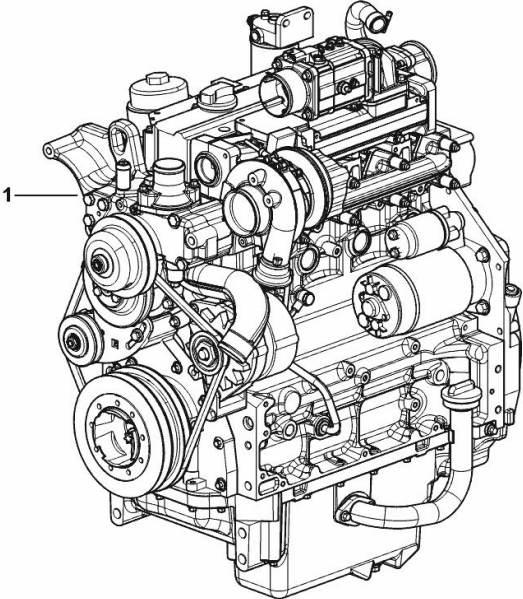
**ENGINE**

Fig.	P/n	QTY	Name
------	-----	-----	------

**Notes:**

[Explorer<sup>3</sup> 110 -> 5001]

1	25008816	1	engine ON ORDERING PLEASE ENGINE NO. REQUIRED
---	----------	---	---



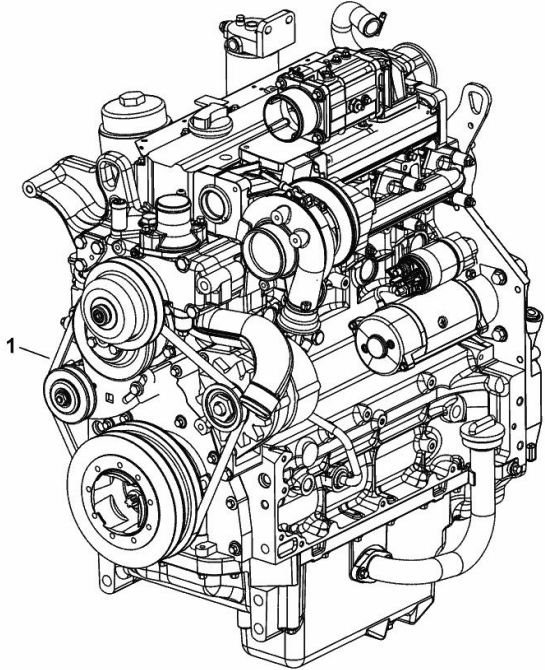
9\_O2119\_02\_0-A-001

**ENGINE**

Fig.	P/n	QTY	Name
------	-----	-----	------

Notes:  
- NOT FOR EUROPEAN MARKET [Explorer<sup>3</sup> 110 -> 5001]

1	25009695	1	engine ON ORDERING PLEASE ENGINE NO. REQUIRED
---	----------	---	---



9\_O2119\_06\_0-A-001

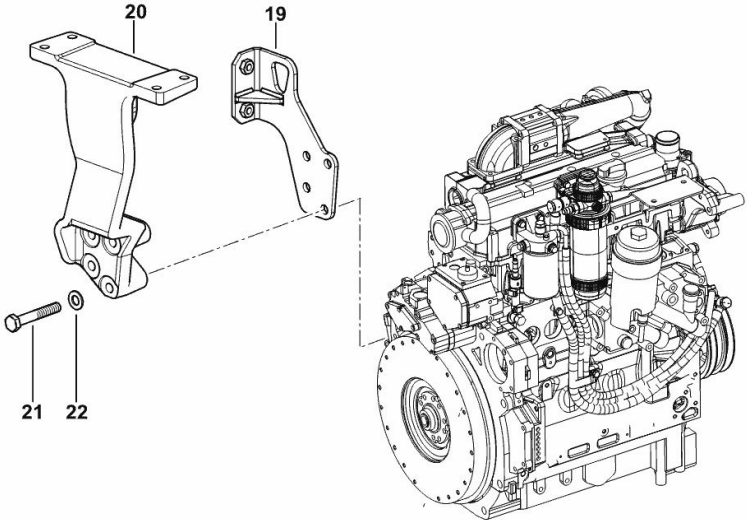
**SUPPORTS**

Fig.	P/n	QTY	Name
------	-----	-----	------

**Notes:**

[Explorer<sup>3</sup> 110 -> 5001]

19	0.014.9247.3/20	1	bracket
20	0.010.6442.0/10	1	bracket
21	2.0112.322.2	4	screw m 10 p.1.5x65
22	2.1475.003.2	4	washer 10



9\_O3016\_01\_0-B-001

FASTENINGS

Fig.	P/n	QTY	Name
------	-----	-----	------

Notes:

[Explorer<sup>3</sup> 110 -> 5001]

Engine serial number:

- 10620917 10776072 10778210 10779702 10796079 10796081 10796087 10796088 10798100 10798101 10798102
- 10798106 10798107 10798109 10798112 10798113 10798114 10800824 10800825 10800826 10800827 10800829
- 10800830 10800831 10800833 10800835 10800836 10802738 10802739 10806351 10806352 10806353 10808236
- 10813226 10813227 10813228 10813229 10813232 10813233 10814953 10817384 10817391 10817396 10817399
- 10817401 10817402 10817412 10842438 10842440 10842735 10842737 10842738 10848539 10848541 10848542
- 10848543 10848544 10848546 10850717 10863592 10863596 10863597 10863599 10863601 10869967 10869971
- 10871979 10871982 10875183 10875185 10875187 10875188 10876624 10876627 10876628 10876629 10876630
- 10876631 10876632 10876635 10876636 10876637 10883089 10883090 10883091 10883092 10883093 10884894
- 10884895 10884896 10884898 10884899 10885387 10885388 10885389 10885390 10894721 10894722 10894723
- 10894724 10900602 10900604 10901419 10913914 10913915 10913916 10913919 10913922 10913926 10913927
- 10920876 10920877 10920878 10920879 10920880 10920881 10920882 10924054 10924056 10924057 10924060
- 10932190 10942243 10942245 10973311 10973313 10973314 10986870 11003651 11006356 11017692 11046399
- 11046400 11046401 11050857 11068392 11073194 11073195 11076563 11079462 11087199 11087202 11087206
- 11087219 11087327 11087338 11088710 11091522 11091771 11093139 11105206 11105217 11105220 11105221
- 11105223 11106428 11106431 11106432 11106433 11106438 11106825 11106827 11106828 11106830 11106831
- 11106833 11106834 11106836 11106849 11107702 11107703 11108539 11108541 11108543 11113787 11113788
- 11113789 11115757 11115758 11115759 11115760 11125623 11125627 11126689 11126690 11126692 11126693
- 11130665 11133034 11134338 11148739 11166041 11166049 11166052 11166076 11171468 11172083 11172085
- 11173842 11176726 11176742 11181612 11181613 11182200 11182204 11185349 11185351 11185352 11185354
- 11185355 11185357 11185856 11220406 11220410 11220417 11220418 11233051 11233053 11233054 11235995

1	01183645	12	screw EN 1662 -F-M8X35-10.9-ZNAL-A
2	04504325	1	gasket
3	01181406	1	bushing H 2341 -B11X8-FE/ZN12C*



Section: B0 - ENGINE  
**BLEEDING TUBE**

Fig.	P/n	QTY	Name
------	-----	-----	------

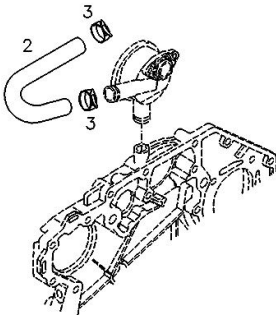
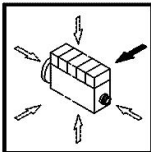
**Notes:**

[Explorer<sup>3</sup> 110 -> 5001]

**Engine serial number:**

10776072 10778210 10779702 10796079 10796081 10796087 10796088 10798100 10798101 10798102 10798106  
10798107 10798109 10798112 10798113 10798114 10800824 10800825 10800826 10800827 10800829 10800830  
10800831 10800833 10800835 10800836 10802738 10802739 10806351 10806352 10806353 10808236 10813226  
10813227 10813228 10813229 10813232 10813233 10814953 10817384 10817391 10817396 10817399 10817401  
10817402 10817412 10842438 10842440 10842735 10842737 10842738 10848539 10848541 10848542 10848543  
10848544 10848546 10850717 10863592 10863596 10863597 10863599 10863601 10869967 10869971 10871979  
10871982 10875183 10875185 10875187 10875188 10876624 10876627 10876628 10876629 10876630 10876631  
10876632 10876635 10876636 10876637 10883089 10883090 10883091 10883092 10883093 10884894 10884895  
10884896 10884898 10884899 10885387 10885388 10885389 10885390 10894721 10894722 10894723 10894724  
10900602 10900604 10901419 10913914 10913915 10913916 10913919 10913922 10913926 10913927 10920876  
10920877 10920878 10920879 10920880 10920881 10920882 10924054 10924056 10924057 10924060 10932190  
10942243 10942245 10973311 10973313 10973314 10986870 11003651 11006356 11017692 11046399 11046400  
11046401 11050857 11068392 11073194 11073195 11076563 11079462 11087199 11087202 11087206 11087219  
11087327 11087338 11088710 11091522 11091771 11093139 11105206 11105217 11105220 11105221 11105223  
11106428 11106431 11106432 11106433 11106438 11106825 11106827 11106828 11106830 11106831 11106833  
11106834 11106836 11106849 11107702 11107703 11108539 11108541 11108543 11113787 11113788 11113789  
11115757 11115758 11115759 11115760 11125623 11125627 11126689 11126690 11126692 11126693 11130665  
11133034 11134338 11148739 11166041 11166049 11166052 11166076 11171468 11172083 11172085 11173842  
11176726 11176742 11181612 11181613 11182200 11182204 11185349 11185351 11185352 11185354 11185355  
11185357 11185856 11220406 11220410 11220417 11220418 11233051 11233053 11233054 11235995

000 ©



2	04258132	1	tube
3	01178750	2	clamp DIN 3021 -A-29X15

0507 8829

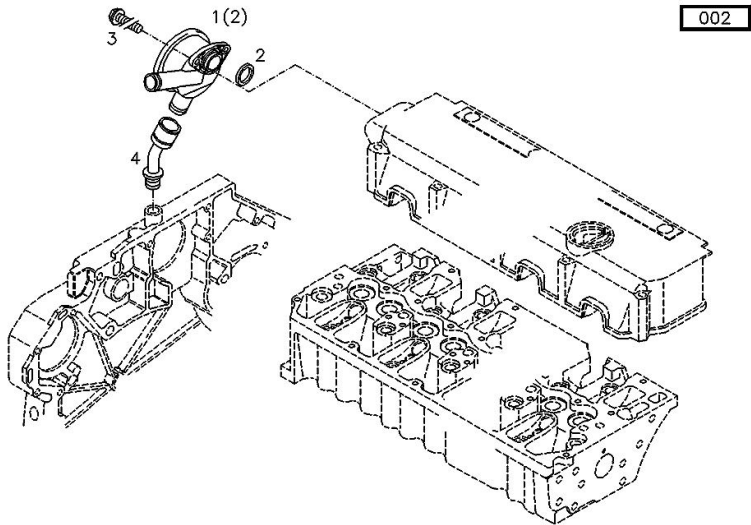
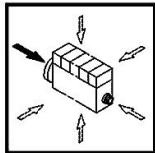
Section: B0 - ENGINE  
CRANKCASE BREATHER

Fig.	P/n	QTY	Name
------	-----	-----	------

Notes:  
[Explorer<sup>3</sup> 110 -> 5001]

Engine serial number:

- 10620917 10776072 10778210 10779702 10796079 10796081 10796087 10796088 10798100 10798101 10798102
- 10798106 10798107 10798109 10798112 10798113 10798114 10800824 10800825 10800826 10800827 10800829
- 10800830 10800831 10800833 10800835 10800836 10802738 10802739 10806351 10806352 10806353 10808236
- 10813226 10813227 10813228 10813229 10813232 10813233 10814953 10817384 10817391 10817396 10817399
- 10817401 10817402 10817412 10842438 10842440 10842735 10842737 10842738 10848539 10848541 10848542
- 10848543 10848544 10848546 10850717 10863592 10863596 10863597 10863599 10863601 10869967 10869971
- 10871979 10871982 10875183 10875185 10875187 10875188 10876624 10876627 10876628 10876629 10876630
- 10876631 10876632 10876635 10876636 10876637 10883089 10883090 10883091 10883092 10883093 10884894
- 10884895 10884896 10884898 10884899 10885387 10885388 10885389 10885390 10894721 10894722 10894723
- 10894724 10900602 10900604 10901419 10913914 10913915 10913916 10913919 10913922 10913926 10913927
- 10920876 10920877 10920878 10920879 10920880 10920881 10920882 10924054 10924056 10924057 10924060
- 10932190 10942243 10942245 10973311 10973313 10973314 10986870 11003651 11006356 11017692 11046399
- 11046400 11046401 11050857 11068392 11073194 11073195 11076563 11079462 11087199 11087202 11087206
- 11087219 11087327 11087338 11088710 11091522 11091771 11093139 11105206 11105217 11105220 11105221
- 11105223 11106428 11106431 11106432 11106433 11106438 11106825 11106827 11106828 11106830 11106831
- 11106833 11106834 11106836 11106849 11107702 11107703 11108539 11108541 11108543 11113787 11113788
- 11113789 11115757 11115758 11115759 11115760 11125623 11125627 11126689 11126690 11126692 11126693
- 11130665 11133034 11134338 11148739 11166041 11166049 11166052 11166076 11171468 11172083 11172085
- 11173842 11176726 11176742 11181612 11181613 11182200 11182204 11185349 11185351 11185352 11185354
- 11185355 11185357 11185856 11220406 11220410 11220417 11220418 11233051 11233053 11233054 11235995



0507 1876

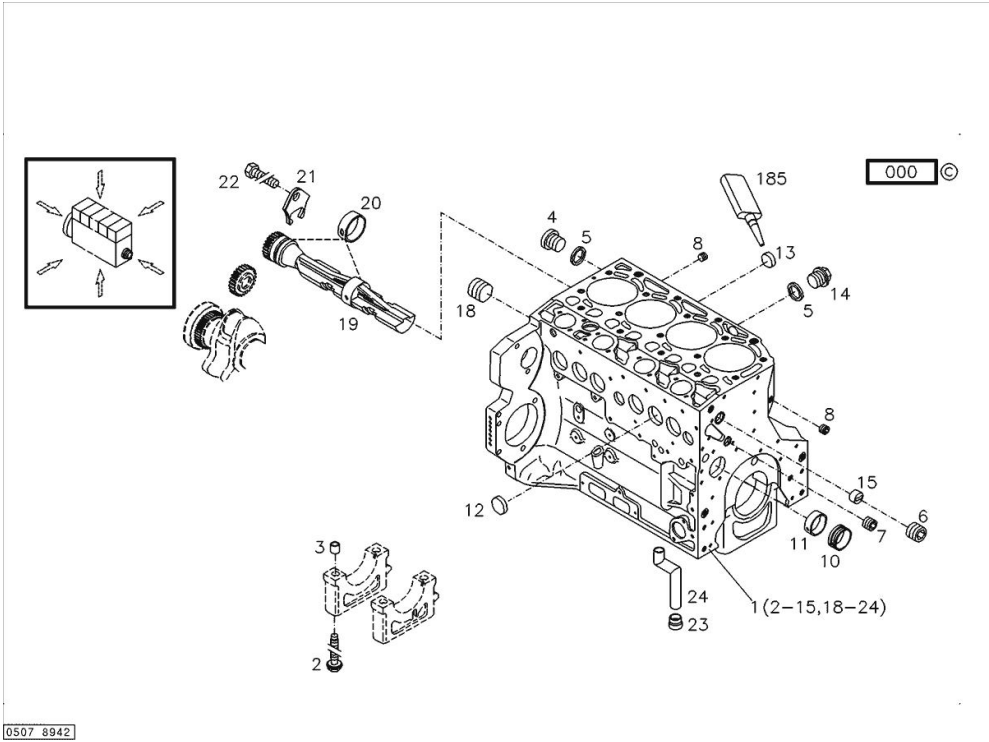
1	04203321	1	valve WITH POS.... (2)
2	04206233	1	gasket
3	01148431	2	screw - FROM THE MONTH OF ASSEMBLY SEE POS. ( B ) - UP TO THE MONTH OF ASSEMBLY ( A ) FROM THE MONTH OF ASSEMBLY A = 09.1995 B = POS. 950 ISO 4762 -M6X20-8.8-ZNAL-A
4	04207290	1	piping
5	01124654	2	washer 6,4 d433 ISO 7092 -6-140HV-A4C*
950	01181965	2	screw - UP TO MONTH OF ASSEMBLY ( A ) - FROM MONTH OF ASSEMBLY SEE POS. ( B ) A = 08.1995 B = POS. 3 EN 1662 -F-M6X20-10.9-ZNAL-A

Section: B0 - ENGINE  
KURBELGEHAEUSE

Fig.	P/n	QTY	Name
------	-----	-----	------

Notes:  
[Explorer<sup>3</sup> 110 -> 5001]

Engine serial number:  
10620917



185	01319911	1	sealing compound ml. 50
1	04289939	1	crankcase MIT POS.... (2-15,18-24)
2	04254240	10	screw 50 Nm , 90° , 90°
3	04160764	10	bushing
4	01110423	1	screw 35 Nm DIN 908 -M14X1,5-ST-ZNPHRF
5	01118693	3	gasket 14x20 DIN 7603 -A14X20-CU
6	01180890	1	screw 95 Nm H 2812 -906-M30X1,5-ST-A4C-PRE80
7	01180906	1	screw H 2812 -906-M22X1,5-ST-A4C-PRE80
8	01182031	2	screw 35 Nm H 2812 -906-M14X1,5-ST-A3C-LOCTITE506
10	04251884	4	plug
11	04250086	1	ring
12	01148032	6	cover DIN 443 -A45-ZNPHR
13	01179634	4	plug H 2860 -A36-ST-FE/ZNPHR
14	01100940	2	screw 35 Nm DIN 7604 -AM14X1,5-ST-A4C
15	04202518	1	sleeve
18	04226536	1	bottom 30 Nm
19	04259301	2	shaft
20	04252834	4	bush
21	04251810	2	plug
22	01181672	2	nut H 2091 -4017-M8X16-10.9-GESCHW-MK-1.0

**Buy Now**



Our support email:

[ebooklibonline@outlook.com](mailto:ebooklibonline@outlook.com)