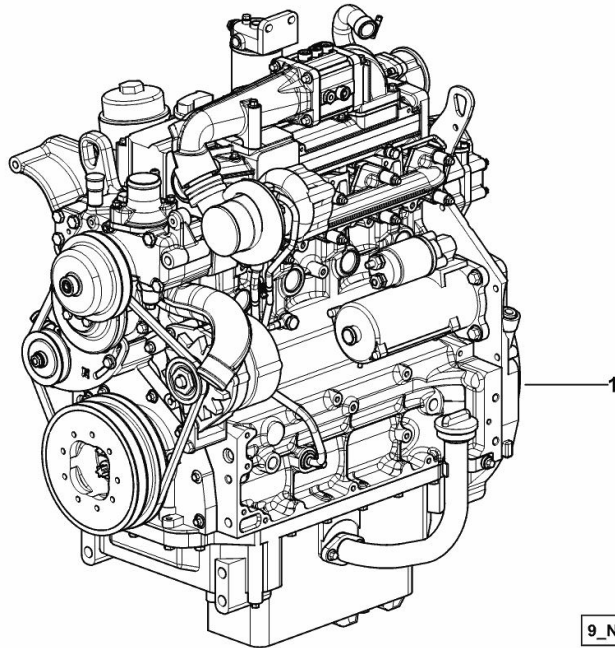


ENGINE

Fig.	P/n	QTY	Name
------	-----	-----	------

Notes:
[EXPLORER³ 85 CLASSIC]

1	25007151	1	engine ON ORDERING PLEASE ENGINE NO. REQUIRED
---	----------	---	---



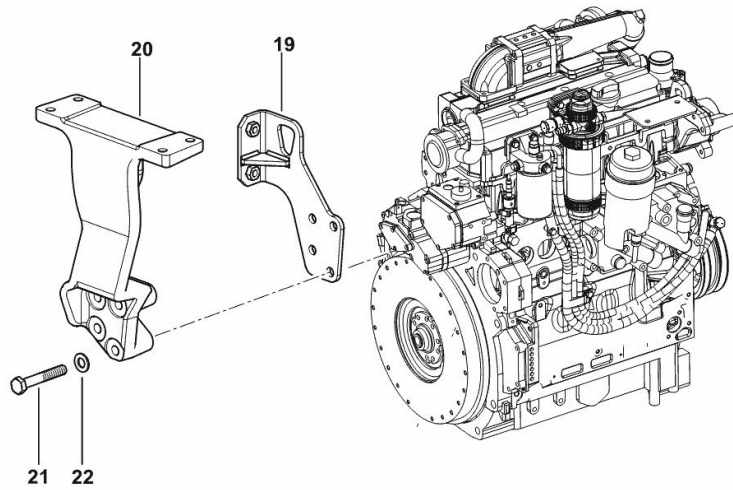
SUPPORTS

Fig.	P/n	QTY	Name
------	-----	-----	------

Notes:

[EXPLORER³ 85 CLASSIC]

19	0.014.9247.3/20	1	bracket
20	0.010.6442.0/10	1	bracket
21	2.0112.322.2	4	screw m 10 p.1.5x65
22	2.1475.003.2	4	washer 10



9_N9116_01_0-B-001

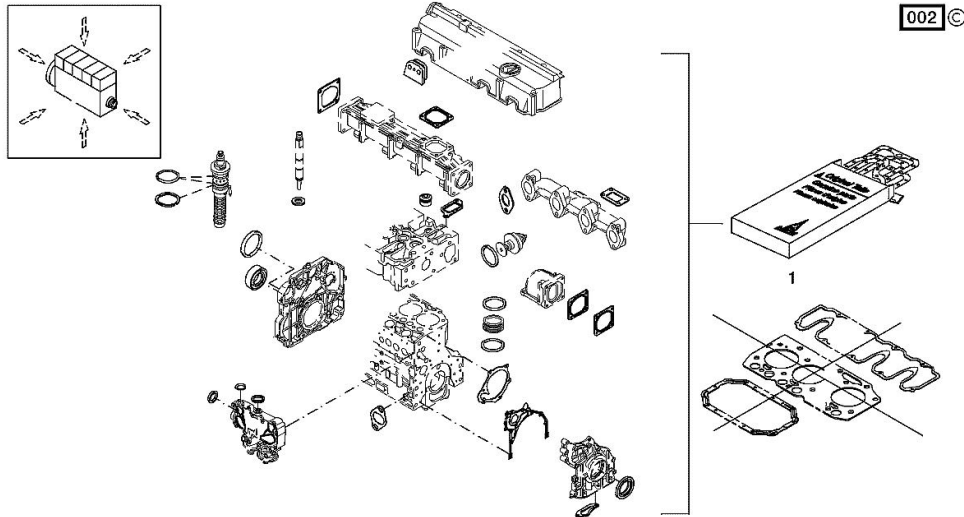
SERIE GUARNIZIONI

Fig.	P/n	QTY	Name
------	-----	-----	------

Notes:
[EXPLORER³ 85 CLASSIC]

Engine serial number:

10437393 10449360 10449364 10449376 10449383 10449396 10508433 10508435 10508436 10508437 10508438
 10508441 10511967 10511978 10511979 10511982 10511986 10511992 10517674 10517675 10517702 10517704
 10517711 10517713 10520364 10520366 10520374 10520377 10520378 10520388 10520411 10523405 10523560
 10664045 10668252 10674673 10674677 10674683 10674684 10674695 10715977 10715979 10715993 10731234
 10733405 10741041 10741042 10741045 10741048 10741054 10747059 10747063 10747064 10747070 10747072
 10747073 10747075 10747076 10747077 10747079 10747081 10747082 10747083 10747084 10748578 10748579
 10748583 10748585 10748586 10748587 10748590 10748592 10748799 10748810 10748813 66000085 66000093
 66000099 66000101 66000113 66000116 66000119 66000639 66000658 66000670 66000676 66000715 66000718
 66000722 66000724 66000728 66000735 66000740 66000751 66000755 66000758 66000769 66000807 66000809



1	02937585	1	gasket set THE KIT DOES NOT CONTAIN ALL THE GASKETS: SEE SM 0199-99-9449
---	----------	---	--

FASTENINGS

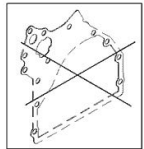
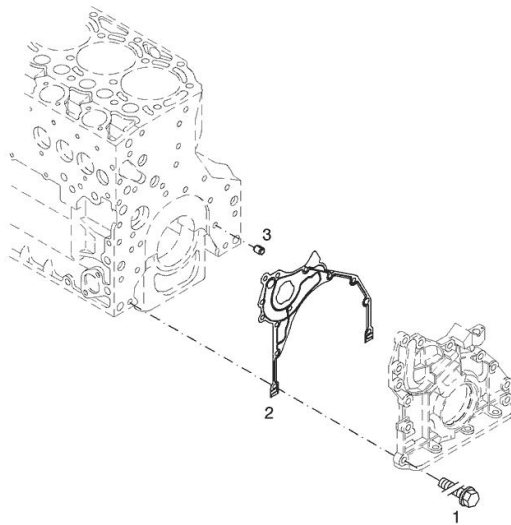
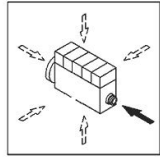
Fig.	P/n	QTY	Name
------	-----	-----	------

Notes:
[EXPLORER³ 85 CLASSIC]

Engine serial number:

10437393 10449360 10449364 10449376 10449383 10449396 10508433 10508435 10508436 10508437 10508438
 10508441 10511967 10511978 10511979 10511982 10511986 10511992 10517674 10517675 10517702 10517704
 10517711 10517713 10520364 10520366 10520374 10520377 10520378 10520388 10520411 10523405 10523560
 10664045 10668252 10674673 10674677 10674683 10674684 10674695 10715977 10715979 10715993 10731234
 10733405 10741041 10741042 10741045 10741048 10741054 10747059 10747063 10747064 10747070 10747072
 10747073 10747075 10747076 10747077 10747079 10747081 10747082 10747083 10747084 10748578 10748579
 10748583 10748585 10748586 10748587 10748590 10748592 10748799 10748810 10748813 66000085 66000093
 66000099 66000101 66000113 66000116 66000119 66000639 66000658 66000670 66000676 66000715 66000718
 66000722 66000724 66000728 66000735 66000740 66000751 66000755 66000758 66000769 66000807 66000809

003 ©



1	01183645	12	screw EN 1662 -F-M8X35-10.9-ZNAL-A
2	04504325	1	gasket
3	01181406	1	bushing H 2341 -B11X8-FE/ZN12C*

BUSH

Fig.	P/n	QTY	Name
------	-----	-----	------

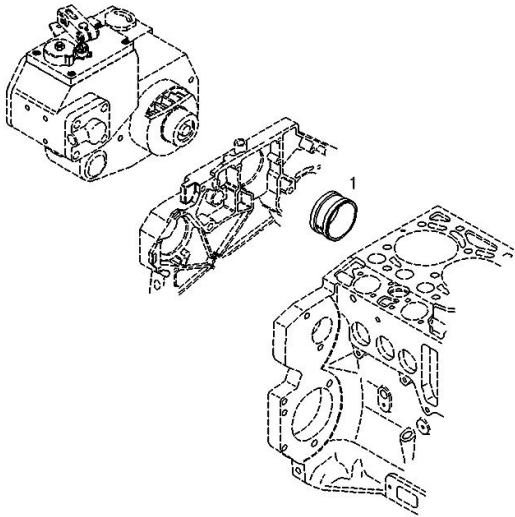
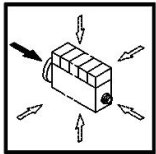
Notes:
[EXPLORER³ 85 CLASSIC]

Engine serial number:

10437393 10449360 10449364 10449376 10449383 10449396 10508433 10508435 10508436 10508437 10508438
 10508441 10511967 10511978 10511979 10511982 10511986 10511992 10517674 10517675 10517702 10517704
 10517711 10517713 10520364 10520366 10520374 10520377 10520378 10520388 10520411 10523405 10523560
 10664045 10668252 10674673 10674677 10674683 10674684 10674695 10715977 10715979 10715993 10731234
 10733405 10741041 10741042 10741045 10741048 10741054 10747059 10747063 10747064 10747070 10747072
 10747073 10747075 10747076 10747077 10747079 10747081 10747082 10747083 10747084 10748578 10748579
 10748583 10748585 10748586 10748587 10748590 10748592 10748799 10748810 10748813 66000085 66000093
 66000099 66000101 66000113 66000116 66000119 66000639 66000658 66000670 66000676 66000715 66000718
 66000722 66000724 66000728 66000735 66000740 66000751 66000755 66000758 66000769 66000807 66000809

002

1	02111679	1	bush
---	----------	---	------



KURBELGEHAEUSE

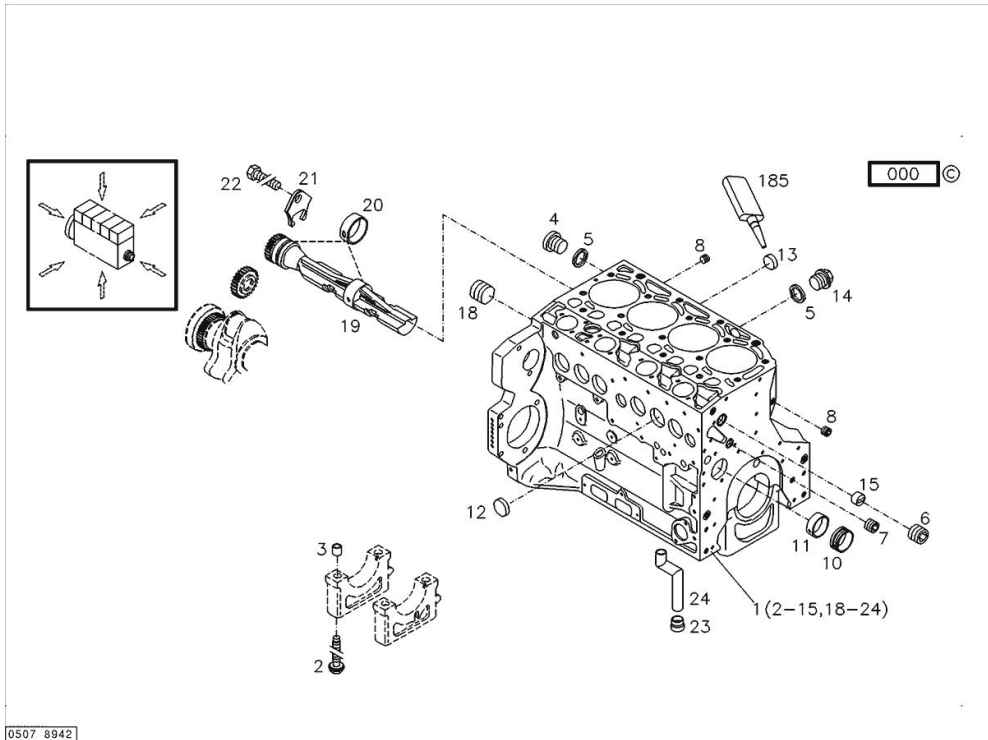
Fig.	P/n	QTY	Name
------	-----	-----	------

Notes:

[EXPLORER³ 85 CLASSIC]

Engine serial number:

10437393 10449360 10449364 10449376 10449383 10449396 10508433 10508435 10508436 10508437 10508438
 10508441 10511967 10511978 10511979 10511982 10511986 10511992 10517674 10517675 10517702 10517704
 10517711 10517713 10520364 10520366 10520374 10520377 10520378 10520388 10520411 10523405 10523560
 10664045 10668252 10674673 10674677 10674683 10674684 10674695 10715977 10715979 10715993 10731234
 10733405 66000085 66000093 66000099 66000101 66000113 66000116 66000119 66000639 66000658 66000670
 66000676 66000715 66000718 66000722 66000724 66000728 66000735 66000740 66000751 66000755 66000758
 66000769 66000807 66000809

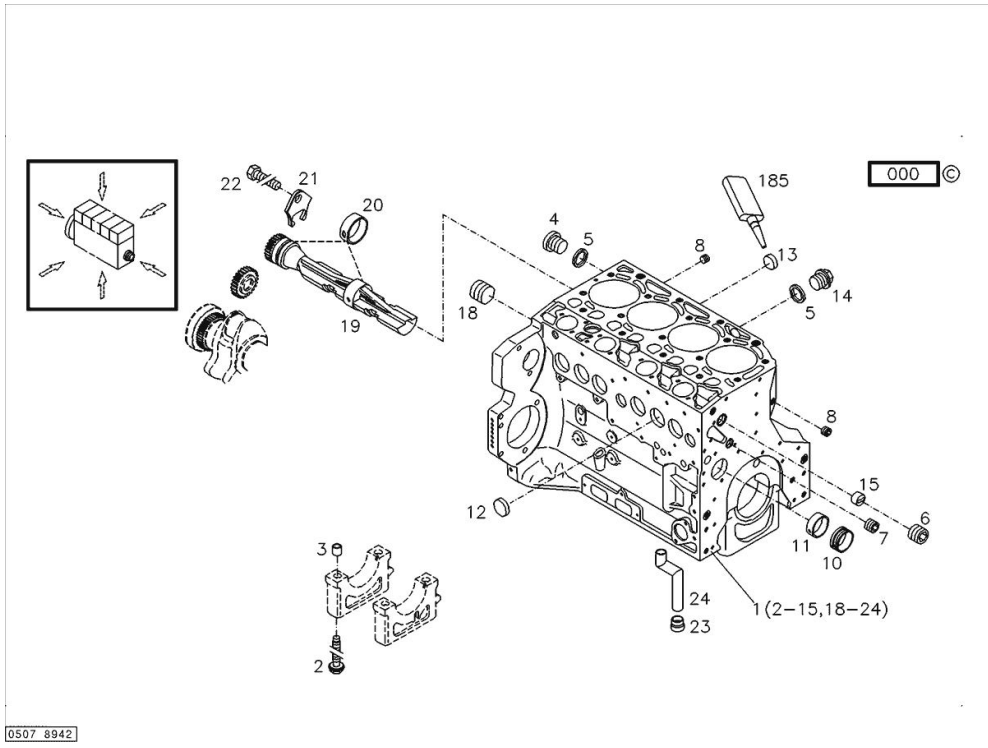


185	01319911	1	sealing compound ml. 50
1	04289939	1	crankcase MIT POS... (2-15,18-24)
2	04254240	10	screw 50 Nm , 90° , 90°
3	04160764	10	bushing
4	01110423	1	screw 35 Nm DIN 908 -M14X1,5-ST-ZNPHRF
5	01118693	3	gasket 14x20 DIN 7603 -A14X20-CU
6	01180890	1	screw 95 Nm H 2812 -906-M30X1,5-ST-A4C-PRE80
7	01180906	1	screw H 2812 -906-M22X1,5-ST-A4C-PRE80
8	01182031	2	screw 35 Nm H 2812 -906-M14X1,5-ST-A3C-LOCTITE506
10	04251884	4	plug
11	04250086	1	ring
12	01148032	6	cover DIN 443 -A45-ZNPHR
13	01179634	4	plug H 2860 -A36-ST-FE/ZNPHR
14	01100940	2	screw 35 Nm DIN 7604 -AM14X1,5-ST-A4C
15	04202518	1	sleeve
18	04226536	1	bottom 30 Nm

0507 8942

Section: B0 - ENGINE
KURBELGEHAEUSE

Fig.	P/n	QTY	Name
19	04259301	2	shaft
20	04252834	4	bush
21	04251810	2	plug
22	01181672	2	nut
23	04255998	1	ring
24	04254026	1	ring



BLEEDING TUBE

Fig.	P/n	QTY	Name
------	-----	-----	------

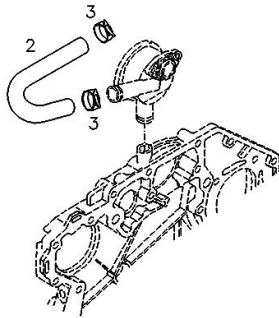
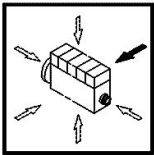
Notes:
[EXPLORER³ 85 CLASSIC]

Engine serial number:

10437393 10449360 10449364 10449376 10449383 10449396 10508433 10508435 10508436 10508437 10508438
 10508441 10511967 10511978 10511979 10511982 10511986 10511992 10517674 10517675 10517702 10517704
 10517711 10517713 10520364 10520366 10520374 10520377 10520378 10520388 10520411 10523405 10523560
 10664045 10668252 10674673 10674677 10674683 10674684 10674695 10715977 10715979 10715993 10731234
 10733405 10741041 10741042 10741045 10741048 10741054 10747059 10747063 10747064 10747070 10747072
 10747073 10747075 10747076 10747077 10747079 10747081 10747082 10747083 10747084 10748578 10748579
 10748583 10748585 10748586 10748587 10748590 10748592 10748799 10748810 10748813 66000085 66000093
 66000099 66000101 66000113 66000116 66000119 66000639 66000658 66000670 66000676 66000715 66000718
 66000722 66000724 66000728 66000735 66000740 66000751 66000755 66000758 66000769 66000807 66000809

000 ©

2	04258132	1	tube
3	01178750	2	clamp DIN 3021 -A-29X15



Buy Now



Our support email:

ebooklibonline@outlook.com