

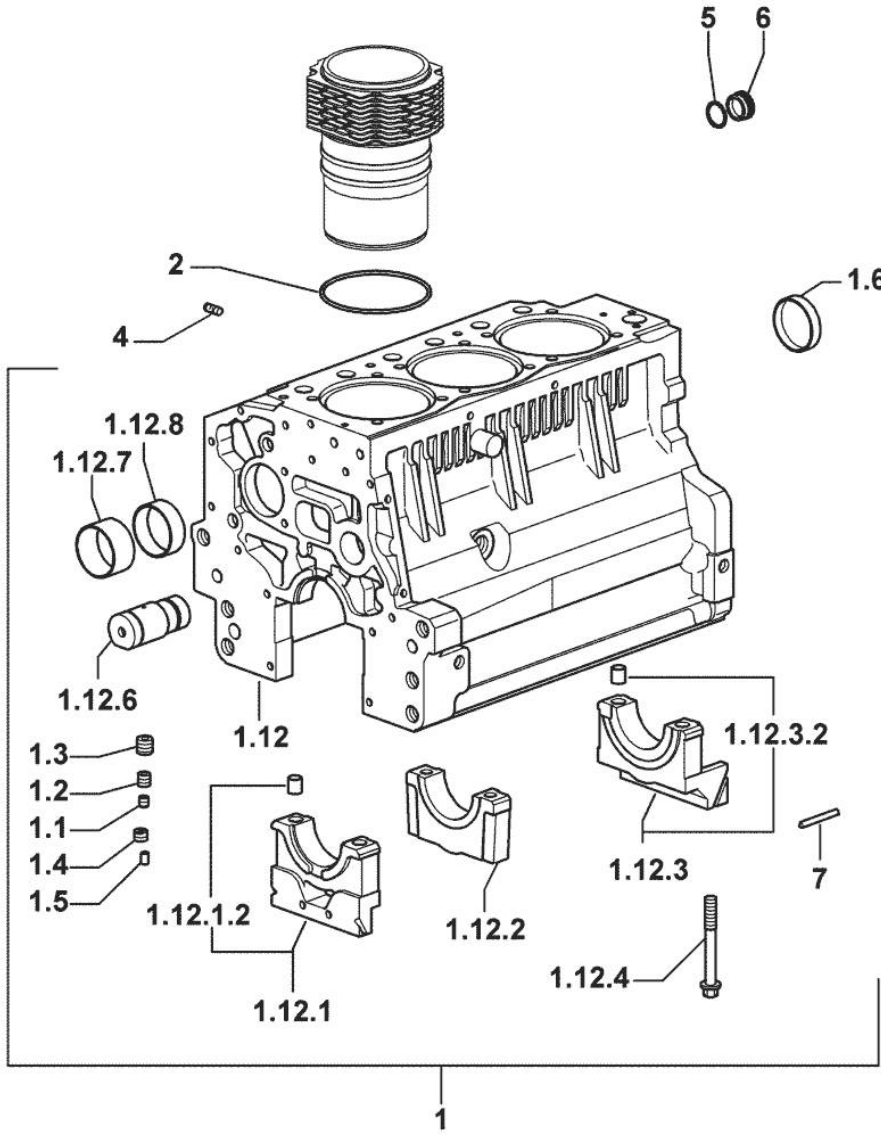
Section: ENGINE
CRANKCASE

9_34811_00_0_A

| Fig. | P/n | QTY | Name |
|------|-----|-----|------|
|------|-----|-----|------|

Notes:
[GRIMPER 555-N]

| | | | |
|----------|-----------------|---|---------------------------------|
| 1 | 0.007.1150.6/10 | 1 | crankcase |
| 1.1 | 2.3130.001.1 | 9 | plug 1/8" gas |
| 1.2 | 2.3130.002.1 | 2 | plug 1/4" gas |
| 1.3 | 2.3130.003.1 | 7 | plug 3/8" gas |
| 1.4 | 2.1324.011.0 | 1 | plug |
| 1.5 | 2.3199.092.0 | 3 | plug 8 x 12 |
| 1.6 | 2.3179.012.0 | 1 | plug 60 |
| 1.12 | 0.000.0000.1 | | cannot be supplied |
| 1.12.1 | 0.065.1112.7 | 1 | support |
| 1.12.1.2 | 2.1699.165.0 | 1 | bush 12.3x15x16 |
| 1.12.2 | 0.065.1114.0/10 | 2 | support |
| 1.12.3 | 0.065.1116.3 | 1 | support |
| 1.12.3.2 | 2.1699.165.0 | 1 | bush 12.3x15x16 |
| 1.12.4 | 0.065.1117.0 | 8 | screw m 12 x 100 |
| 1.12.6 | 0.066.1151.0 | 1 | pin |
| 1.12.7 | 0.065.1141.0 | 1 | special bushing 59X55X30 |
| 1.12.8 | 0.065.1140.0 | 3 | special bushing 59X55X20 |
| 2 | 2.1539.130.0/10 | 3 | special oil seal 117.07x3.53 |
| 4 | 2.0432.003.7 | 9 | stud bolt m 8 p.1.25 / p.1 x 20 |
| 5 | 2.1532.072.0 | 1 | oil seal 26.70x1.78 |
| 6 | 2.3199.405.2 | 1 | plug m 28 p.1.5 |
| 7 | 0.066.1152.0/10 | 4 | gasket |

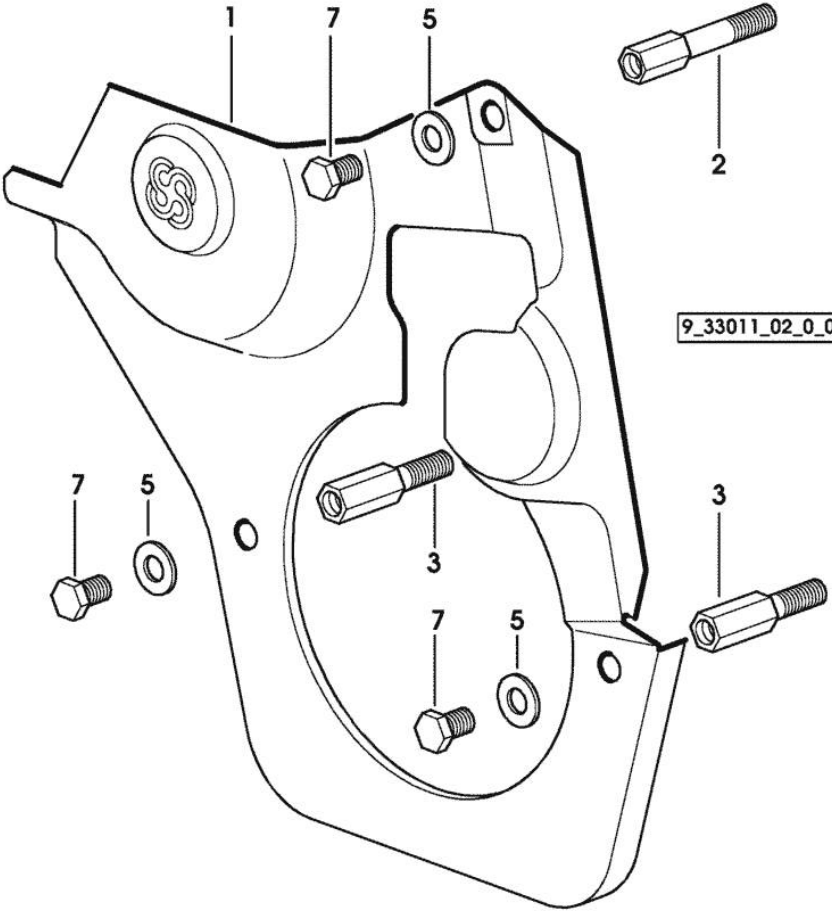


GUARD PLATE

| Fig. | P/n | QTY | Name |
|------|-----|-----|------|
|------|-----|-----|------|

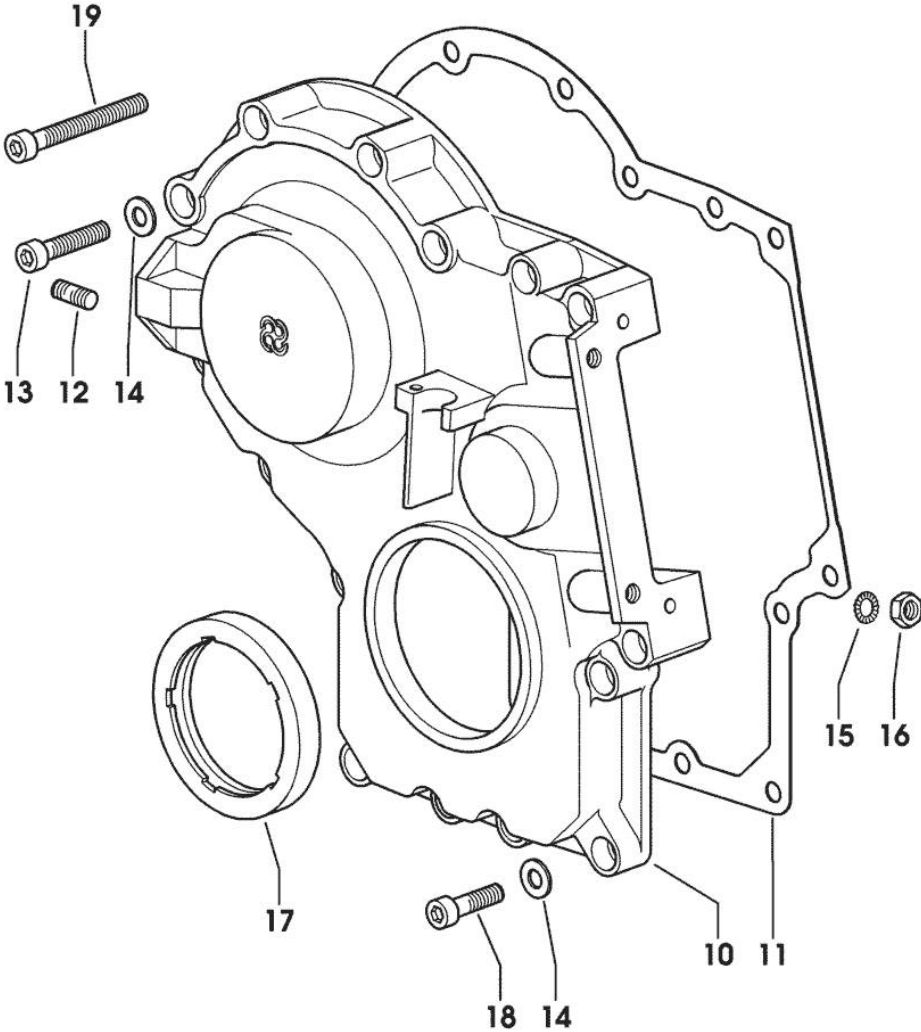
Notes:
 [GRIMPER 555-N]

| | | | |
|---|-----------------|---|-------------------------------------|
| 1 | 0.007.1262.3/50 | 1 | guard |
| 2 | 0.007.1271.0/10 | 1 | small column m 8 p.1.25 / L = mm 60 |
| 3 | 0.007.1272.0/10 | 2 | small column m 8 p.1.25 / L = mm 50 |
| 5 | 2.1310.004.2 | 3 | flat washer 8.4x17 |
| 7 | 2.0112.203.2 | 3 | screw m 8 p.1.25 x 12 |



9_34811_00_0_B

Section: ENGINE
TIMING CASE



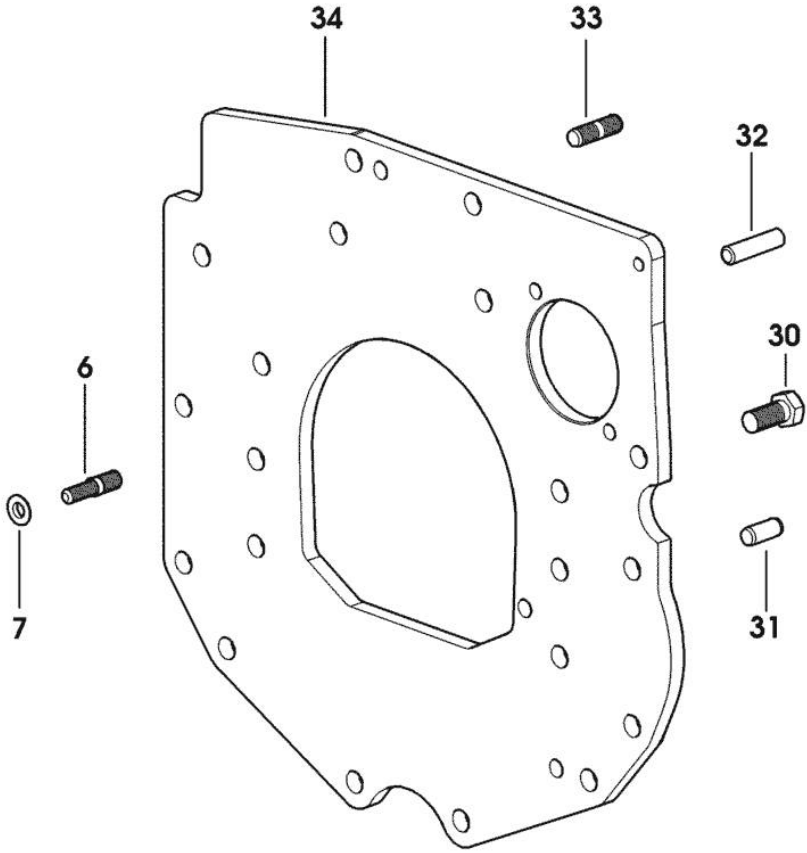
| Fig. | P/n | QTY | Name |
|----------------------------------|-----------------|-----|---|
| Notes: [GRIMPER 555-N] | | | |
| 10 | 0.013.4981.0 | 1 | guard -> 1207 X GRIMPER 555 -> 1184 X GRIMPER 560 |
| 10 | 0.065.1132.0/50 | 1 | guard 1206 <- X GRIMPER 555 1183 <- X GRIMPER 560 |
| 11 | 0.065.1150.0/30 | 1 | gasket |
| 12 | 2.0432.003.7 | 2 | stud bolt m 8 p.1.25 / p.1 x 20 |
| 13 | 2.0312.214.2 | 3 | screw m 8 p.1.25 x 40 |
| 14 | 2.1480.014.1 | 15 | washer 8 |
| 15 | 2.1470.004.2 | 4 | lock washer 8 |
| 16 | 2.1011.405.2 | 2 | nut m 8 p.1 |
| 17 | 2.1529.167.0 | 1 | oil seal |
| 18 | 2.0312.208.2 | 8 | screw m 8 p.1.25 x 25 |
| 19 | 2.0312.219.2 | 4 | screw m 8 p.1.25x65 |

Section: ENGINE
CRANKCASE

| Fig. | P/n | QTY | Name |
|------|-----|-----|------|
|------|-----|-----|------|

Notes:
[GRIMPER 555-N]

| | | | |
|----|-----------------|---|-----------------------------------|
| 6 | 2.0439.250.7 | 1 | stud bolt m 12 / m 10 x 30 |
| 7 | 0.011.9294.0/10 | 1 | bush |
| 30 | 2.0112.511.2 | 8 | screw m 14 p.2 x 30 |
| 31 | 2.1651.912.0 | 2 | cylindrical plug 12x28 |
| 32 | 2.1651.917.0 | 1 | cylindrical plug 12x40 |
| 33 | 2.0432.257.7 | 1 | stud bolt m 12 p.1.75 - 1.25 x 30 |
| 34 | 0.007.9745.0/10 | 1 | flange |

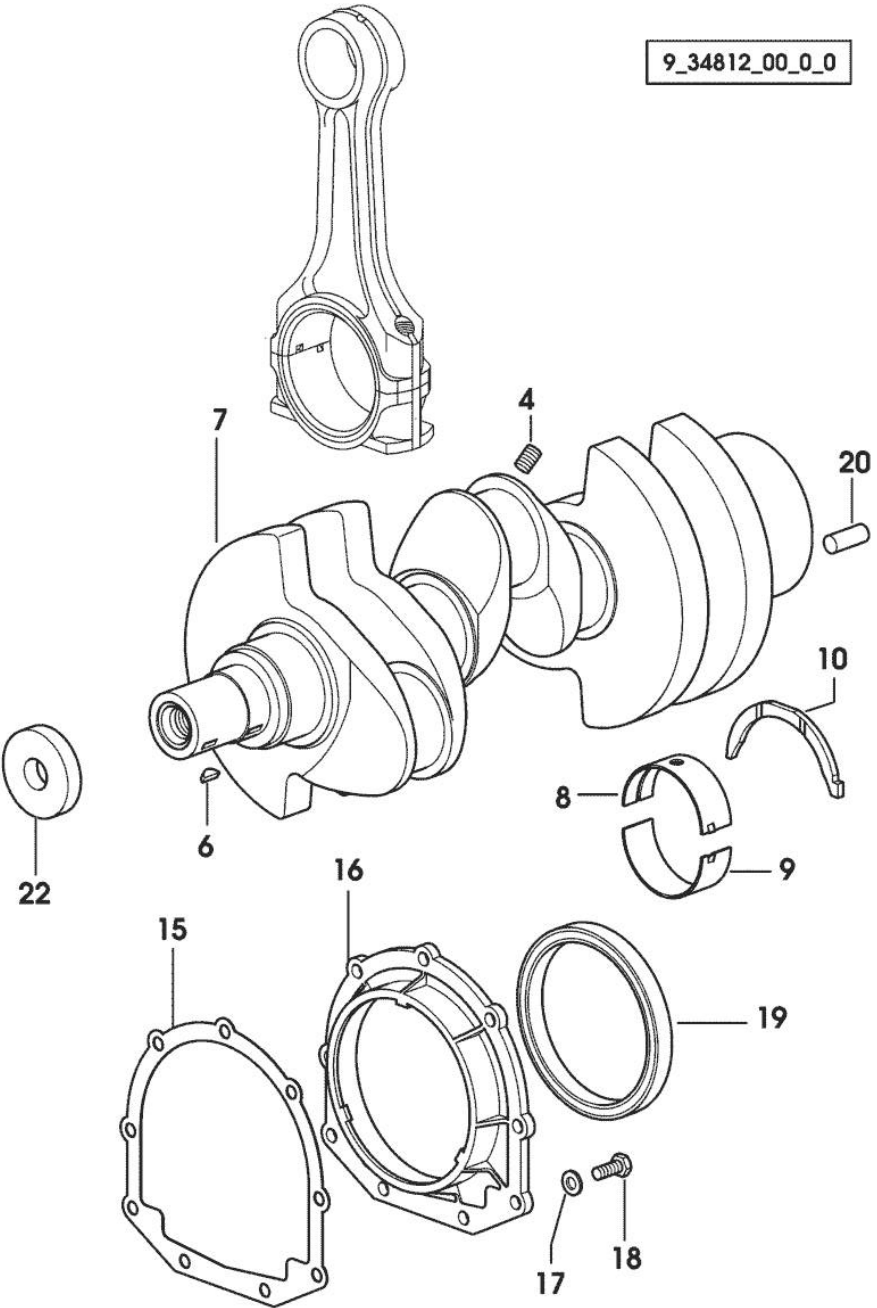


9_33311_02_0_0

Section: ENGINE

CRANKSHAFT

9_34812_00_0_0



| Fig. | P/n | QTY | Name |
|------|-----|-----|------|
|------|-----|-----|------|

Notes:
[GRIMPER 555-N]

| | | | |
|----|-----------------|---|-----------------------------|
| 4 | 2.3130.001.1 | 3 | plug 1/8" gas |
| 6 | 2.1720.006.0 | 2 | key 4x6.5 |
| 7 | 0.007.1554.0/20 | 1 | crankshaft |
| 8 | 0.065.1215.0 | 4 | main half bushing STANDARD |
| 8 | 0.065.1215.7 | | main half bushing - mm 0.25 |
| 8 | 0.065.1215.8 | | main half bushing - mm 0.50 |
| 9 | 0.065.1216.0 | 4 | main half bushing |
| 9 | 0.065.1216.7 | | main half bushing - mm 0.25 |
| 9 | 0.065.1216.8 | | main half bushing - mm 0.50 |
| 10 | 0.065.1218.0 | 4 | shim STANDARD |
| 10 | 0.065.1218.7 | | shim + mm 0.10 |
| 10 | 0.065.1218.8 | | shim + mm 0.15 |
| 15 | 0.065.1254.0/20 | 1 | gasket |
| 16 | 0.007.1711.0/10 | 1 | cover |
| 17 | 2.1475.002.2 | 9 | conical washer 8 |
| 18 | 2.0112.207.2 | 9 | screw m 8 p 1.25 x 20 |
| 19 | 2.1529.073.0 | 1 | special oil seal 110x130x13 |
| 20 | 2.1651.915.0 | 1 | pin 12x35 |
| 22 | 2.1599.524.7 | 1 | washer 21x60x12 |

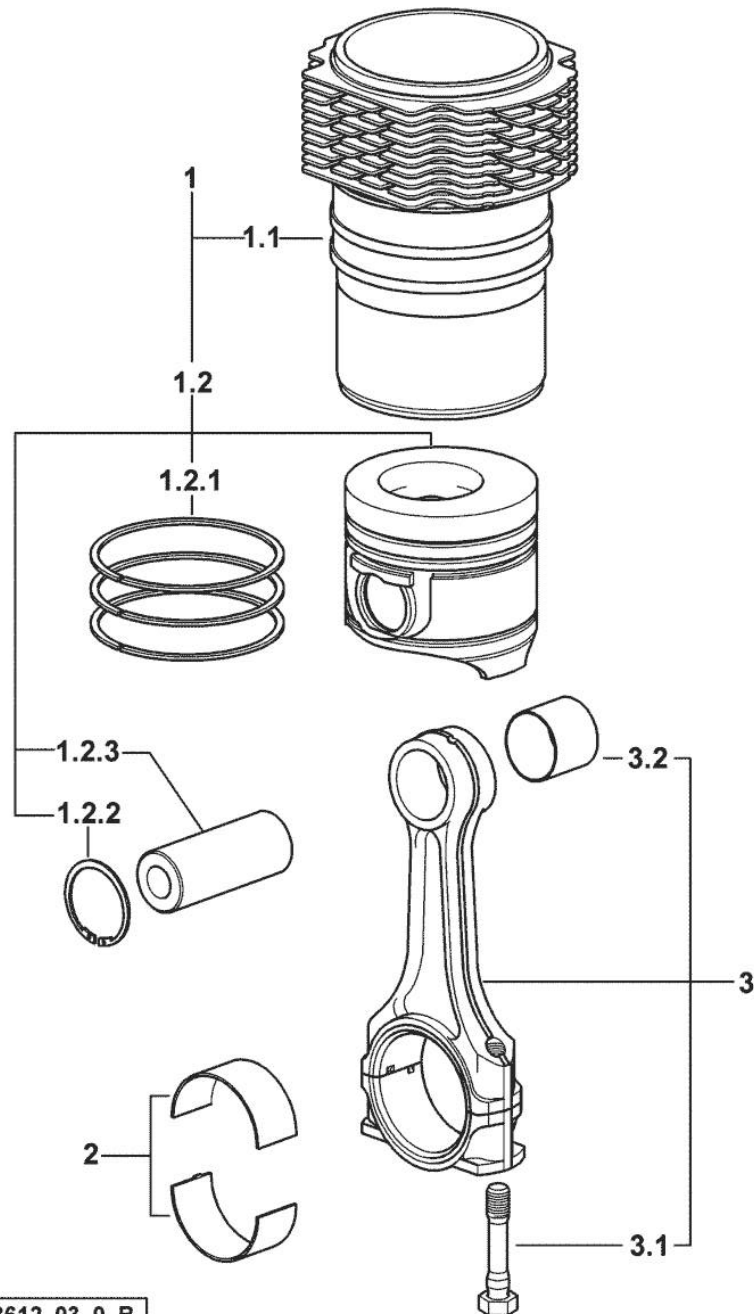
Section: ENGINE

CYLINDER - PISTON - CONNECTING ROD

| Fig. | P/n | QTY | Name |
|------|-----|-----|------|
|------|-----|-----|------|

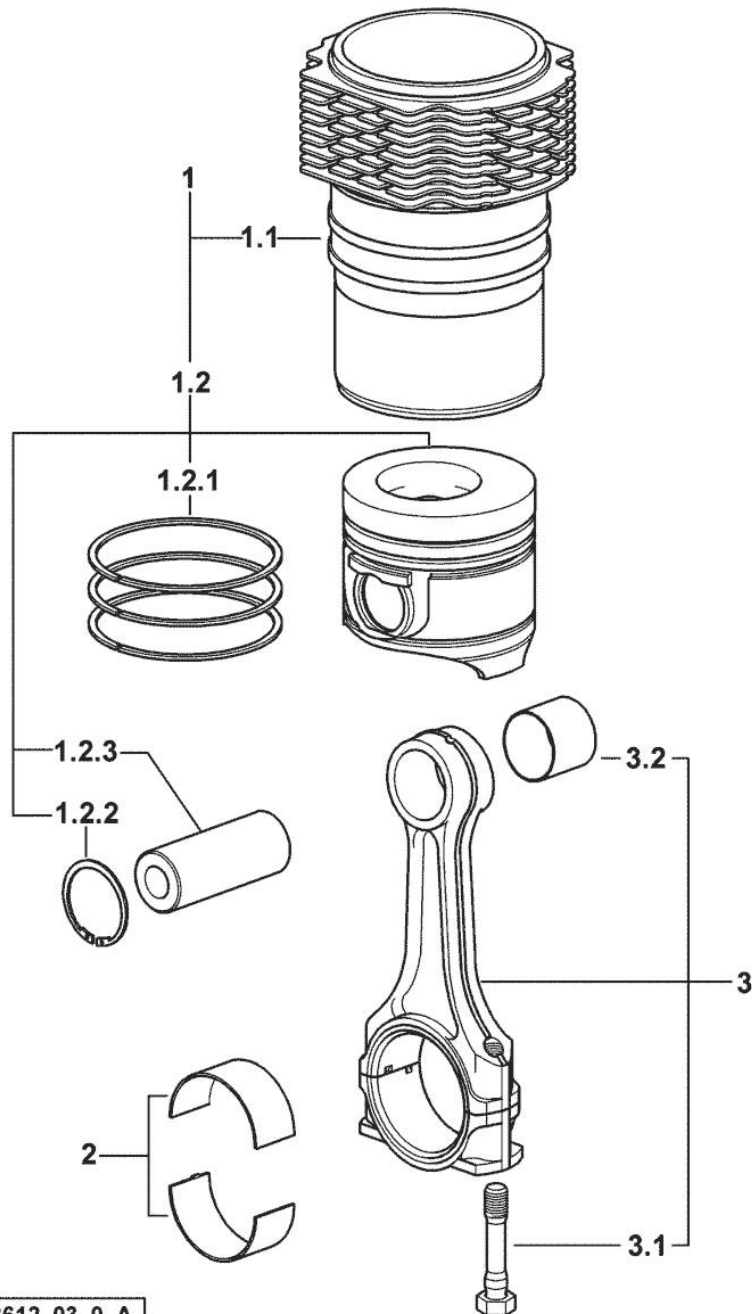
Notes:

29762 <= X GRIMPER 555 29595 <= X GRIMPER 560 [GRIMPER 555-N]



| | | | |
|-------|-----------------|---|--|
| 1 | 0.336.0065.A | 3 | cyl. piston assembly "A" - CLASS A |
| 1 | 0.336.0065.B | 3 | cyl. piston assembly "B" - CLASS B |
| 1.1 | 0.A13.0355.0 | 1 | engine cylinder "A" - CLASS A |
| 1.1 | 0.B13.0355.0 | 1 | engine cylinder "B" - CLASS B |
| 1.2 | 0.086.0060.A | 1 | complete piston "A" - CLASS A |
| 1.2 | 0.086.0060.B | 1 | complete piston "B" - CLASS B |
| 1.2.1 | 0.086.0052.6/10 | 1 | piston ring set |
| 1.2.2 | 2.1411.014.1 | 2 | circlip 35 |
| 1.2.3 | 0.078.1236.0 | 1 | piston pin Ø 18 / Ø 35 / L = mm 86 |
| 2 | 0.065.1225.0 | 6 | con.rod half bushing STANDARD - A = 28.75 -> 29.00 |
| 2 | 0.065.1225.7 | 6 | con.rod half bushing - mm 0.25 |
| 2 | 0.065.1225.8 | 6 | con.rod half bushing - mm 0.50 |
| 3 | 0.078.1220.3/30 | 3 | engine connecting rod |
| 3.1 | 2.0399.213.0 | 2 | screw m 12 p.1.25x61.5 |
| 3.2 | 2.1559.114.0/10 | 1 | special bushing |

Section: ENGINE

CYLINDER - PISTON - CONNECTING ROD

| Fig. | P/n | QTY | Name |
|------|-----|-----|------|
|------|-----|-----|------|

Notes:

=> 29763 X GRIMPER 555 => 29596 X GRIMPER 560 [GRIMPER 555-N]

| | | | |
|-------|-----------------|---|--|
| 1 | 0.379.0065.A | 3 | cyl. piston assembly "A" - CLASS A |
| 1 | 0.379.0065.B | 3 | cyl. piston assembly "B" - CLASS B |
| 1.1 | 0.A13.0355.0 | 1 | engine cylinder "A" - CLASS A |
| 1.1 | 0.B13.0355.0 | 1 | engine cylinder "B" - CLASS B |
| 1.2 | 0.379.0060.A | 1 | complete piston "A" - CLASS A |
| 1.2 | 0.379.0060.B | 1 | complete piston "B" - CLASS B |
| 1.2.1 | 0.086.0052.6/10 | 1 | piston ring set |
| 1.2.2 | 2.1411.014.1 | 2 | circlip 35 |
| 1.2.3 | 0.078.1236.0 | 1 | piston pin Ø 18 / Ø 35 / L = mm 86 |
| 2 | 0.065.1225.0 | 6 | con.rod half bushing STANDARD - A = 28.75 -> 29.00 |
| 2 | 0.065.1225.7 | 6 | con.rod half bushing - mm 0.25 |
| 2 | 0.065.1225.8 | 6 | con.rod half bushing - mm 0.50 |
| 3 | 0.078.1220.3/30 | 3 | engine connecting rod |
| 3.1 | 2.0399.213.0 | 2 | screw m 12 p.1.25x61.5 |
| 3.2 | 2.1559.114.0/10 | 1 | special bushing |

Buy Now



Our support email:

ebooklibonline@outlook.com