

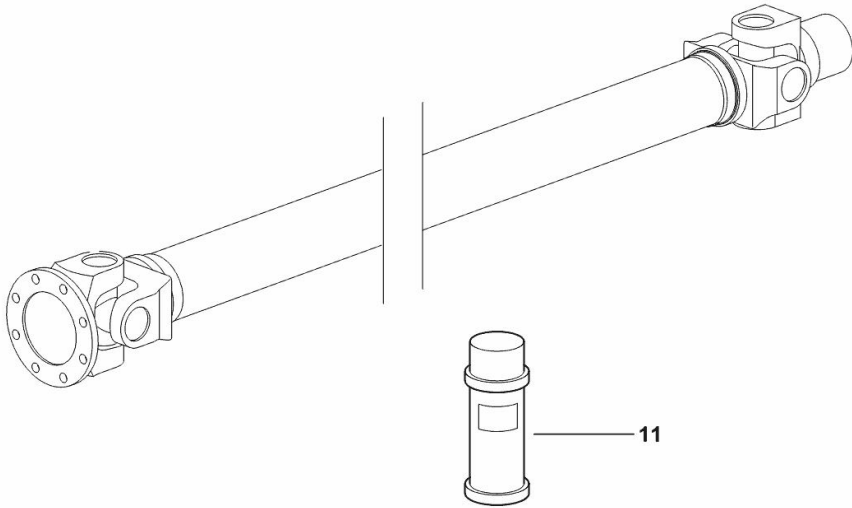
LUBRICANTS AND SEALANTS

Fig.	P/n	QTY	Name
------	-----	-----	------

Notes:

- WITH SUSPENDED AXLE [IRON 100 HI-LINE]

11	01016130	0.01	sealing compound AS 450
----	----------	------	-------------------------



K9_A3926_01_0-B-001

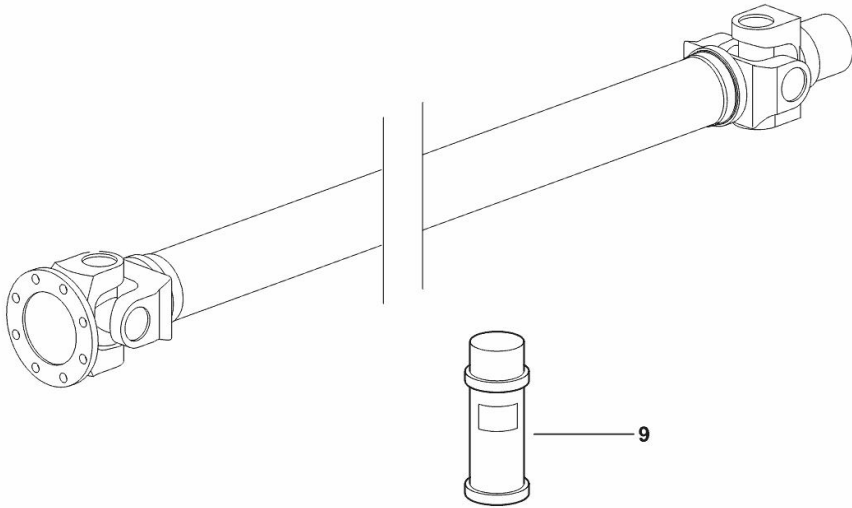
LUBRICANTS AND SEALANTS

Fig.	P/n	QTY	Name
------	-----	-----	------

Notes:

WITHOUT SUSPENDED AXLE [IRON 100 HI-LINE]

9	01016130	0.01	sealing compound AS 450
---	----------	------	-------------------------



K9_D5026_00_0-B-001

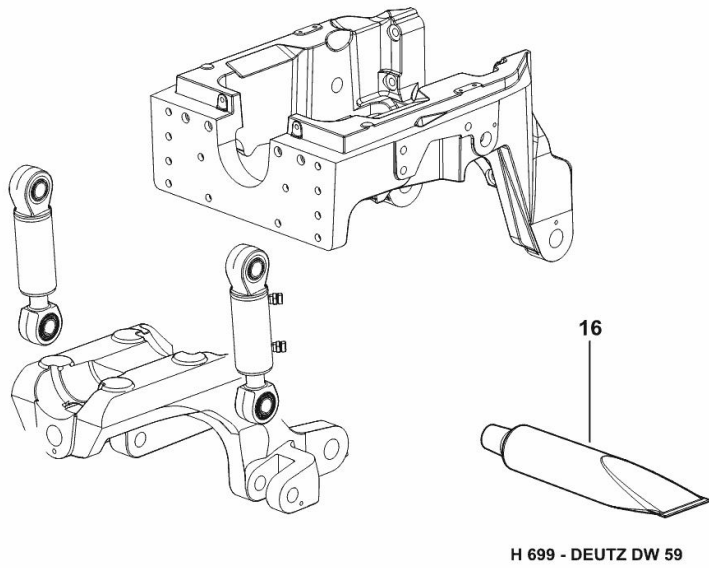
LUBRICANTS AND SEALANTS

Fig.	P/n	QTY	Name
------	-----	-----	------

Notes:
[IRON 100 HI-LINE]

16	01016112		adhesive H 699 - DEUTZ DW 59
----	----------	--	------------------------------

K9_B1952_01_0-B-001

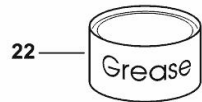
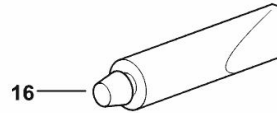


LUBRICANTS AND SEALANTS

Fig.	P/n	QTY	Name
------	-----	-----	------

Notes:
[IRON 100 HI-LINE]

16	01016112		adhesive H 699 - DEUTZ DW 59
22	3.1399.012.0	1	grease



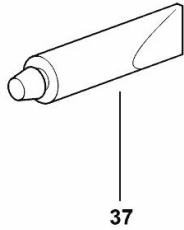
K9_D3352_01_0-A-001

LUBRICANTS AND SEALANTS

Fig.	P/n	QTY	Name
------	-----	-----	------

Notes:
[IRON 100 HI-LINE]

37	01016125	1	guard
----	----------	---	-------



K9_B1559_13_0-C-001

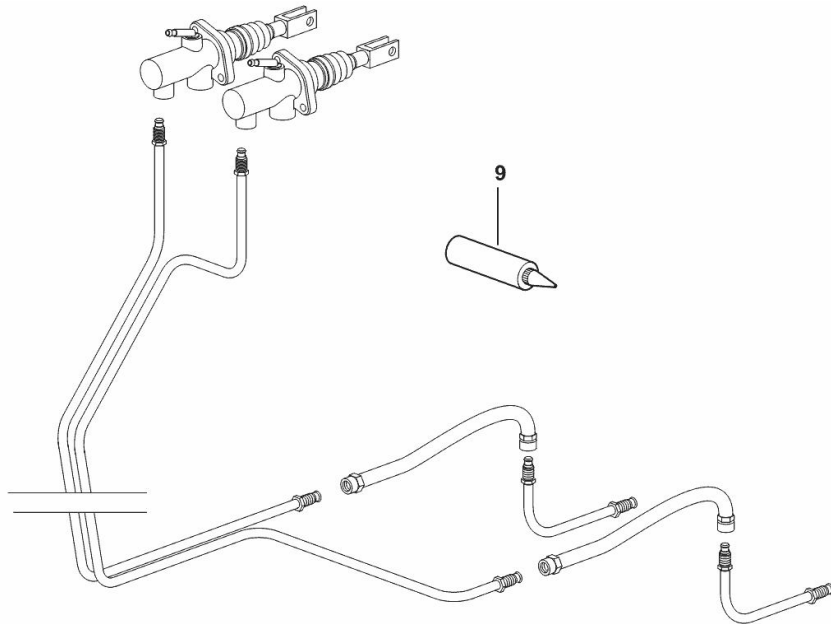
LUBRICANTS AND SEALANTS

Fig.	P/n	QTY	Name
------	-----	-----	------

Notes:

- FOR TYPES WITH FIXED CAB [IRON 100 HI-LINE]

9	01009463	0.3	sealing compound H 699 -DEUTZ DW 43
---	----------	-----	-------------------------------------



K9_B1566_01_0-D-001

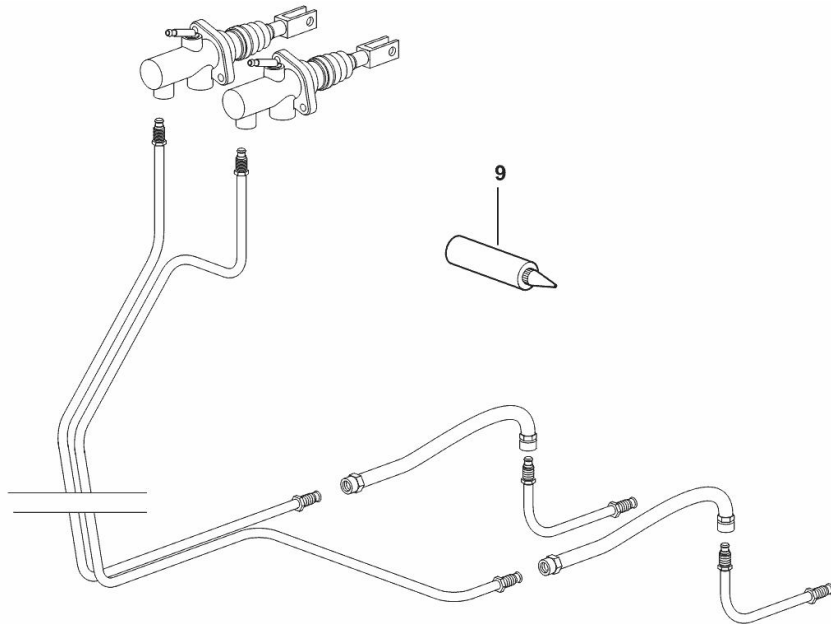
LUBRICANTS AND SEALANTS

Fig.	P/n	QTY	Name
------	-----	-----	------

Notes:

- FOR CAB WITH ELECTRONIC OR MECHANICAL SUSPENSIONS [IRON 100 HI-LINE]

9	01009463	1	sealing compound H 699 -DEUTZ DW 43
---	----------	---	-------------------------------------



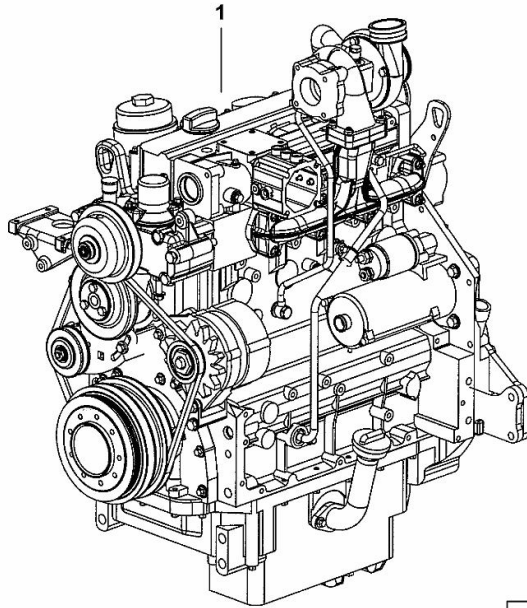
K9_B3666_01_0-D-001

ENGINE

Fig.	P/n	QTY	Name
------	-----	-----	------

Notes:
[IRON 100 HI-LINE]

1	25006911	1	engine ON ORDERING PLEASE ENGINE NO. REQUIRED
---	----------	---	-----------------------------------------------------



K9_N7119_01_0-A-001

Buy Now



Our support email:

ebooklibonline@outlook.com