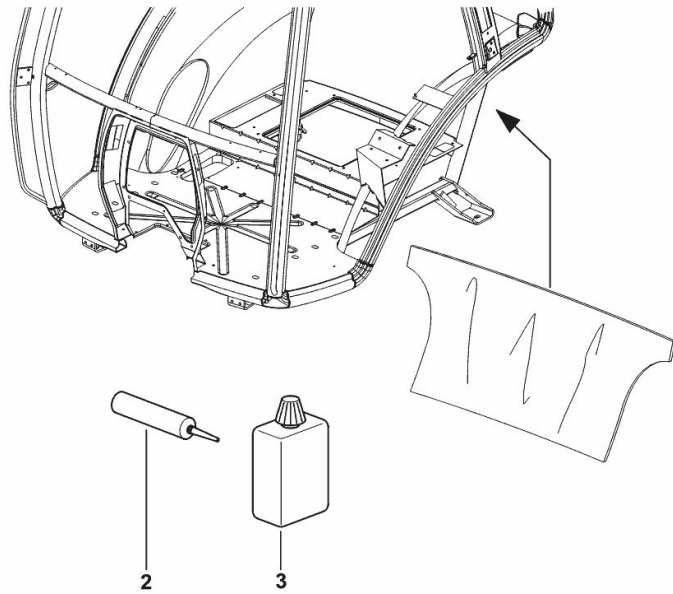


**LUBRICANTS AND SEALANTS**

| Fig. | P/n | QTY | Name |
|------|-----|-----|------|
|------|-----|-----|------|

Notes:  
[IRON 150 HI-LINE]

|   |          |      |                                  |
|---|----------|------|----------------------------------|
| 2 | 04414226 | 0.3  | sealing compound HENKEL 211-342  |
| 3 | 04414225 | 0.01 | genuine lubricants HENKEL 148785 |



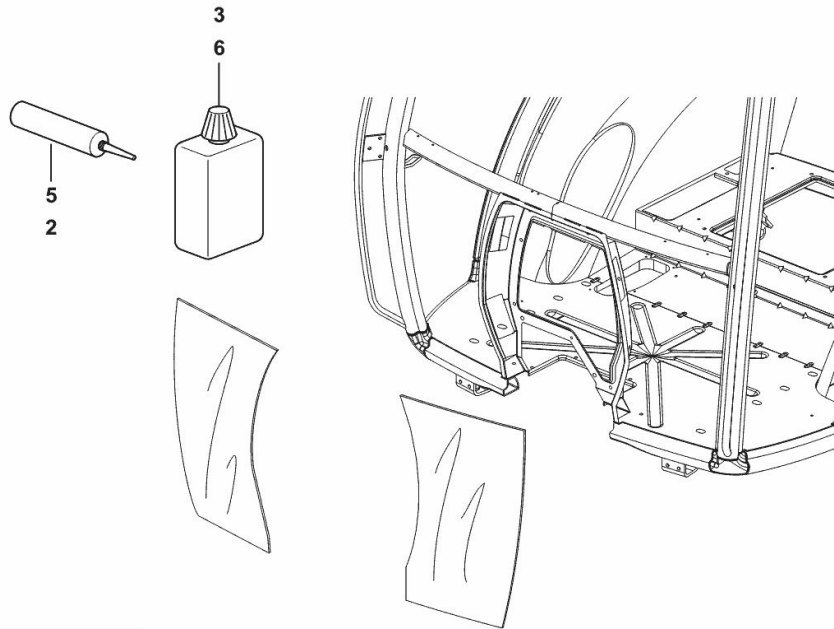
K9\_95071\_18\_0-B-001

**LUBRICANTS AND SEALANTS**

| Fig. | P/n | QTY | Name |
|------|-----|-----|------|
|------|-----|-----|------|

Notes:  
[IRON 150 HI-LINE]

|   |          |      |                                  |
|---|----------|------|----------------------------------|
| 2 | 04414226 | 0.12 | sealing compound HENKEL 211-342  |
| 3 | 04414225 | 0.01 | genuine lubricants HENKEL 148785 |
| 5 | 04414226 | 0.12 | sealing compound HENKEL 211-342  |
| 6 | 04414225 | 0.01 | genuine lubricants HENKEL 148785 |



K9\_95071\_19\_0-B-001

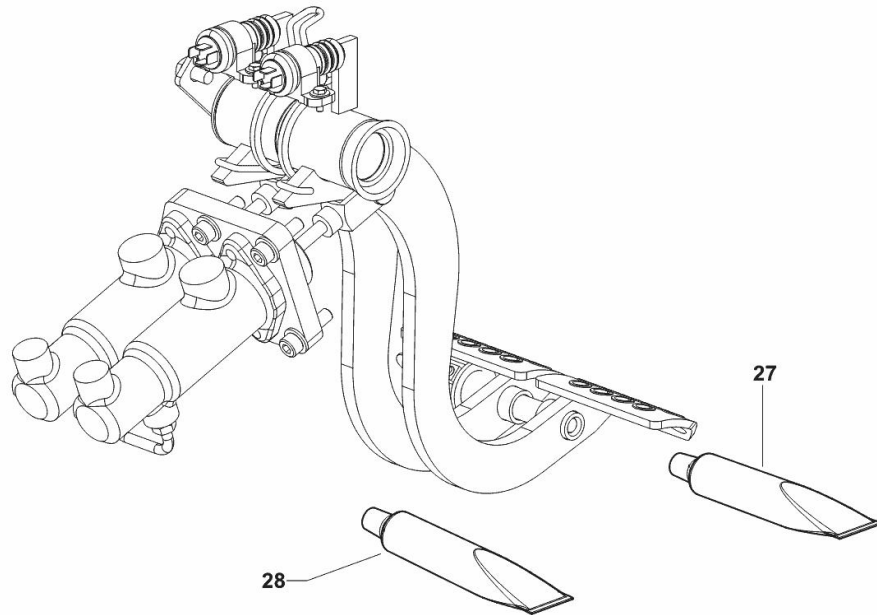
**LUBRICANTS AND SEALANTS**

| Fig. | P/n | QTY | Name |
|------|-----|-----|------|
|------|-----|-----|------|

**Notes:**

- FOR TYPES WITHOUT FRONT BRAKES [IRON 150 HI-LINE]

|    |          |      |  |
|----|----------|------|--|
| 27 | 01005149 | 0.01 | genuine lubricants H 685 -DEUTZ S2- 1 KG |
| 28 | 01009463 | 0.05 | sealing compound H 699 -DEUTZ DW 43      |



K9\_F5066\_00\_0-C-001

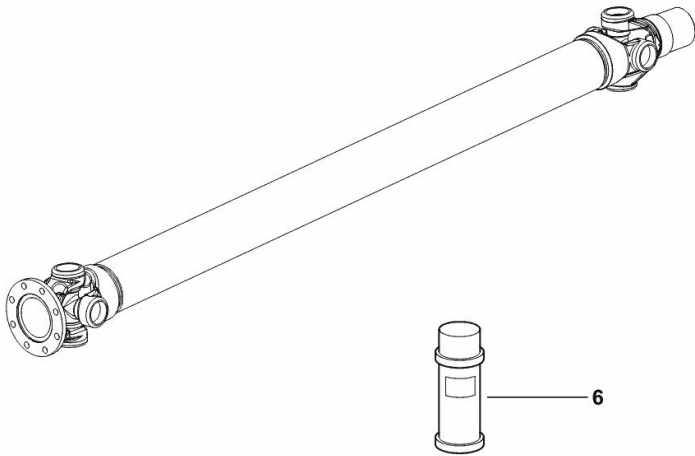
**LUBRICANTS AND SEALANTS**

| Fig. | P/n | QTY | Name |
|------|-----|-----|------|
|------|-----|-----|------|

**Notes:**

- WITH SUSPENDED AXLE [IRON 150 HI-LINE]

|   |          |      |                         |
|---|----------|------|-------------------------|
| 6 | 01016130 | 0.01 | sealing compound AS 450 |
|---|----------|------|-------------------------|



K9\_95326\_01\_0-B-001

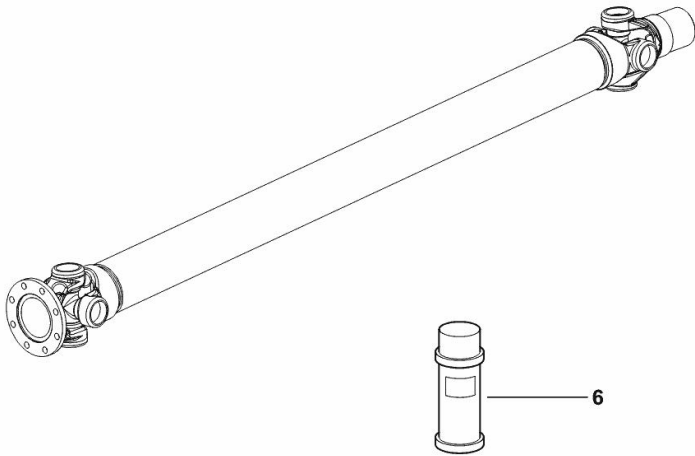
**LUBRICANTS AND SEALANTS**

| Fig. | P/n | QTY | Name |
|------|-----|-----|------|
|------|-----|-----|------|

**Notes:**

WITHOUT SUSPENDED AXLE [IRON 150 HI-LINE]

|   |          |      |                         |
|---|----------|------|-------------------------|
| 6 | 01016130 | 0.01 | sealing compound AS 450 |
|---|----------|------|-------------------------|



K9\_95326\_00\_0-B-001

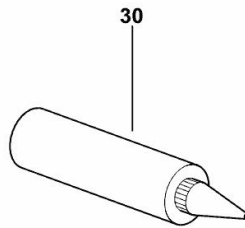
**LIQUID GASKET H 699 -DEUTZ DW 43**

| Fig. | P/n | QTY | Name |
|------|-----|-----|------|
|------|-----|-----|------|

**Notes:**

- FOR TYPES WITHOUT FRONT BRAKES [IRON 150 HI-LINE]

|    |          |     |                                     |
|----|----------|-----|-------------------------------------|
| 30 | 01009463 | 0.3 | sealing compound H 699 -DEUTZ DW 43 |
|----|----------|-----|-------------------------------------|



K9\_D3466\_10\_0-E-001

**LIQUID GASKET H 699 -DEUTZ DW 43**

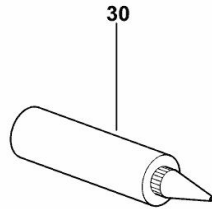
| Fig. | P/n | QTY | Name |
|------|-----|-----|------|
|------|-----|-----|------|

**Notes:**

- FOR TYPES WITH FRONT BRAKES [IRON 150 HI-LINE]

|    |          |     |                                     |
|----|----------|-----|-------------------------------------|
| 30 | 01009463 | 0.3 | sealing compound H 699 -DEUTZ DW 43 |
|----|----------|-----|-------------------------------------|

K9\_C7666\_10\_0-E-001

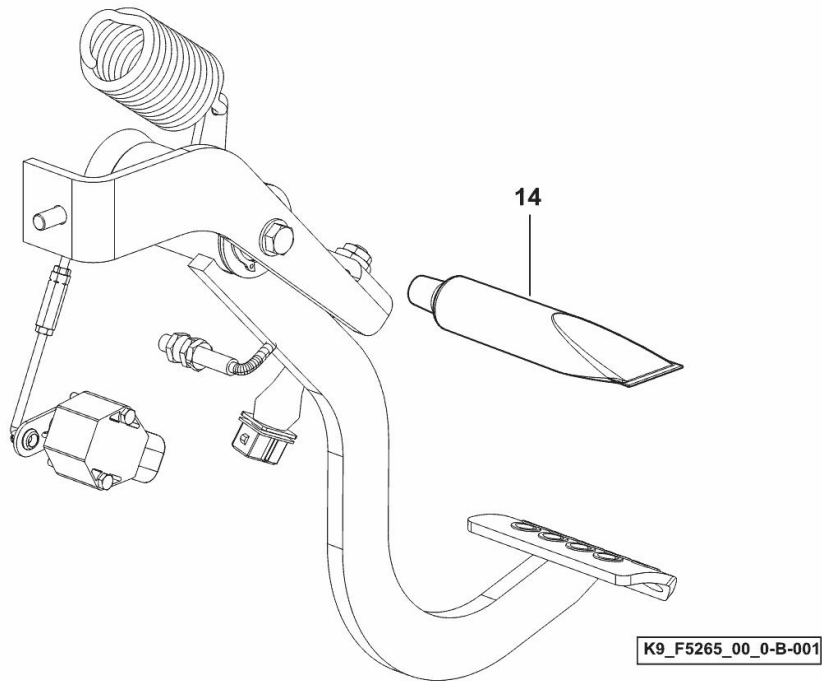


Section: A0 - TRACTOR  
**LIQUID GASKET**

| Fig. | P/n | QTY | Name |
|------|-----|-----|------|
|------|-----|-----|------|

Notes:  
 [IRON 150 HI-LINE]

|    |          |      |                                     |
|----|----------|------|-------------------------------------|
| 14 | 01009463 | 0.05 | sealing compound H 699 -DEUTZ DW 43 |
|----|----------|------|-------------------------------------|





**Buy Now**



Our support email:

[ebooklibonline@outlook.com](mailto:ebooklibonline@outlook.com)