

FASTENINGS

| Fig. | P/n | QTY | Name |
|------|-----|-----|------|
|------|-----|-----|------|

Notes:

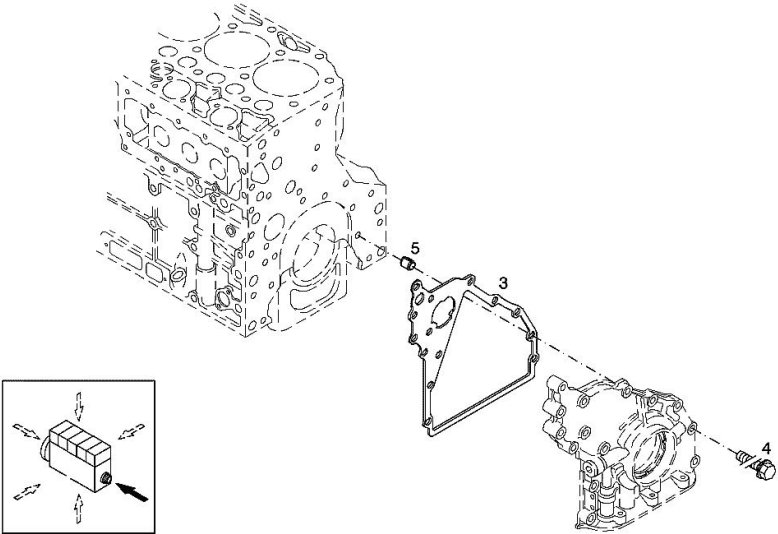
[IRON 180.7 HI-LINE]

Engine serial number:

10063391 10090547 10090550 10090552 10090557 10090563 10090568 10090575 10090576 10090577 10090579
10090583 10092580 10092598 10092958 10092960 10094131 10094134 10094136 10094139 10094157 10094977
10094978 10094982 10094985 10094986 10094988 10095600 10095605 10095607 10095616 10096916 10096920
10096922 10096927 10096931 10096934 10096935 10097023 10097042 10097048 10097051 10097058 10101057
10101060 10101076 10101078 10101152 10101155 10101157 10259101 10259104 10260890 10260891 10260896
10261304 10261543 10261548 10261827 10366513 10366524 10382701 10398269 10398278 10398289 10398302
10459707 10462112 10471466 10471469 10480366 10533815 10533821 10533822 10533824 10533835 10536434

001 ©

| | | | |
|---|----------|----|---|
| 3 | 04910582 | 1 | gasket |
| 4 | 01143362 | 14 | screw |
| | | | 5 Nm, 30 Nm consult workshop manual 5 Nm, 21 Nm consult workshop manual EN 1662 -F-M8X35-10.9-A4C |
| 5 | 01181406 | 1 | bushing H 2341 -B11X8-FE/ZN12C* |



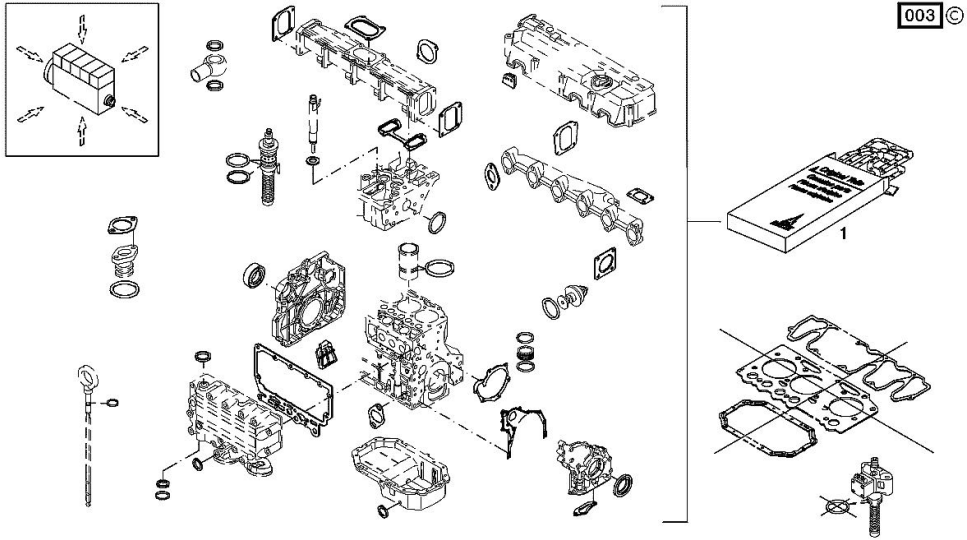
Section: B0 - ENGINE
SERIE GUARNIZIONI

| Fig. | P/n | QTY | Name |
|------|-----|-----|------|
|------|-----|-----|------|

Notes:
[IRON 180.7 HI-LINE]

Engine serial number:
 10063391 10090547 10090550 10090552 10090557 10090563 10090568 10090575 10090576 10090577 10090579
 10090583 10092580 10092598 10092958 10092960 10094131 10094134 10094136 10094139 10094157 10094977
 10094978 10094982 10094985 10094986 10094988 10095600 10095605 10095607 10095616 10096916 10096920
 10096922 10096927 10096931 10096934 10096935 10097023 10097042 10097048 10097051 10097058 10101057
 10101060 10101076 10101078 10101152 10101155 10101157 10259101 10259104 10260890 10260891 10260896
 10261304 10261543 10261548 10261827 10366513 10366524 10382701 10398269 10398278 10398289 10398302
 10459707 10462112 10471466 10471469 10480366 10533815 10533821 10533822 10533824 10533835 10536434

| | | | |
|---|----------|---|---|
| 1 | 02937627 | 1 | gasket set The gasket kit does not contain: GASKET IN FIG. (SM 0199-99-9449) |
|---|----------|---|---|



BLEEDING TUBE

| Fig. | P/n | QTY | Name |
|------|-----|-----|------|
|------|-----|-----|------|

Notes:

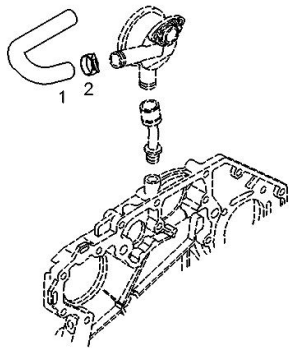
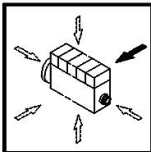
[IRON 180.7 HI-LINE]

Engine serial number:

10063391 10090547 10090550 10090552 10090557 10090563 10090568 10090575 10090576 10090577 10090579
10090583 10092580 10092598 10092958 10092960 10094131 10094134 10094136 10094139 10094157 10094977
10094978 10094982 10094985 10094986 10094988 10095600 10095605 10095607 10095616 10096916 10096920
10096922 10096927 10096931 10096934 10096935 10097023 10097042 10097048 10097051 10097058 10101057
10101060 10101076 10101078 10101152 10101155 10101157 10259101 10259104 10260890 10260891 10260896
10261304 10261543 10261548 10261827 10366513 10366524 10382701 10398269 10398278 10398289 10398302
10459707 10462112 10471466 10471469 10480366 10533815 10533821 10533822 10533824 10533835 10536434

000 ©

| | | | |
|---|----------|---|----------------------------|
| 1 | 04198572 | 1 | tube |
| 2 | 01178750 | 1 | clamp DIN 3021 -A-29X15 |



BLEEDING TUBE

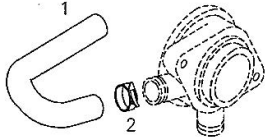
| Fig. | P/n | QTY | Name |
|------|-----|-----|------|
|------|-----|-----|------|

Notes:

[IRON 180.7 HI-LINE]

| | | | |
|---|----------|---|----------------------------|
| 1 | 04198572 | 1 | tube |
| 2 | 01178750 | 3 | clamp DIN 3021 -A-29X15 |

001

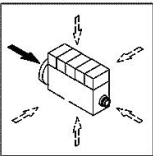


Section: B0 - ENGINE
CRANKCASE BREATHER

| Fig. | P/n | QTY | Name |
|------|-----|-----|------|
|------|-----|-----|------|

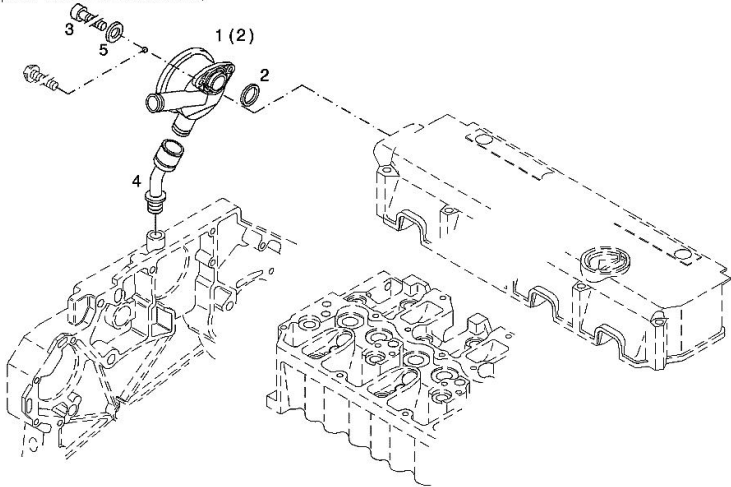
Notes:
[IRON 180.7 HI-LINE]

Engine serial number:
10063391 10090547 10090550 10090552 10090557 10090563 10090568 10090575 10090576 10090577 10090579
10090583 10092580 10092598 10092958 10092960 10094131 10094134 10094136 10094139 10094157 10094977
10094978 10094982 10094985 10094986 10094988 10095600 10095605 10095607 10095616 10096916 10096920
10096922 10096927 10096931 10096934 10096935 10097023 10097042 10097048 10097051 10097058 10101057
10101060 10101076 10101078 10101152 10101155 10101157 10259101 10259104 10260890 10260891 10260896
10261304 10261543 10261548 10261827 10366513 10366524 10382701 10398269 10398278 10398289 10398302
10459707 10462112 10471466 10471469 10480366 10533815 10533821 10533822 10533824 10533835 10536434



ab Baumont:
from month of manufacture:
a partir mois de montage:
a partir del mes de fabricacion: 09.95

002 ©



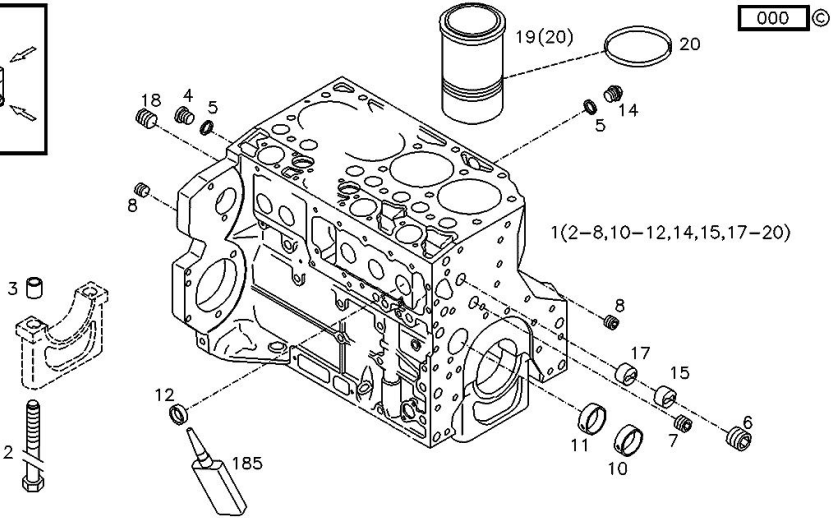
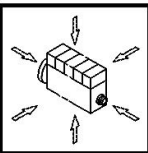
| | | | |
|-----|----------|---|--|
| 1 | 04255055 | 1 | valve WITH POS.... (2) |
| 2 | 04207649 | 1 | ring |
| 3 | 01148431 | 2 | screw - FROM THE MONTH OF ASSEMBLY SEE POS. (B) - UP TO THE MONTH OF ASSEMBLY (A) FROM THE MONTH OF ASSEMBLY A = 09.1995 B = POS. 950 ISO 4762 -M6X20-8.8-ZNAL-A |
| 4 | 04207290 | 1 | pipng |
| 5 | 01124654 | 2 | washer 6,4 d433 ISO 7092 -6-140HV-A4C* |
| 950 | 01181965 | 2 | screw - UP TO MONTH OF ASSEMBLY (A) - FROM MONTH OF ASSEMBLY SEE POS. (B) A = 08.1995 B = POS. 3 EN 1662 -F-M6X20-10.9-ZNAL-A |

Section: B0 - ENGINE
CRANKCASE

| Fig. | P/n | QTY | Name |
|------|-----|-----|------|
|------|-----|-----|------|

Notes:
[IRON 180.7 HI-LINE]

Engine serial number:
10063391 10090547 10090550 10090552 10090557 10090563 10090568 10090575 10090576 10090577 10090579
10090583 10092580 10092598 10092958 10092960 10094131 10094134 10094136 10094139 10094157 10094977
10094978 10094982 10094985 10094986 10094988 10095600 10095605 10095607 10095616 10096916 10096920
10096922 10096927 10096931 10096934 10096935 10097023 10097042 10097048 10097051 10097058 10101057
10101060 10101076 10101078 10101152 10101155 10101157 10259101 10259104 10260890 10260891 10260896
10261304 10261543 10261548 10261827 10366513 10366524 10382701 10398269 10398278 10398289 10398302
10459707 10462112 10471466 10471469 10480366 10533815 10533821 10533822 10533824 10533835 10536434



0507 8215

| | | | |
|-----|----------|----|---|
| 1 | 04282827 | 1 | crankcase WITH POS.... (2-8,10-12,14,15,17-20) |
| 2 | 04251254 | 14 | screw |
| 3 | 04200078 | 14 | bushing |
| 4 | 01110423 | 2 | screw DIN 908 -M14X1,5-ST-ZNPHRF |
| 5 | 01118693 | 4 | gasket 14x20 DIN 7603 -A14X20-CU |
| 6 | 01182033 | 1 | screw H 2812 -906-M30X1,5-ST-A3C-LOCTITE506 |
| 7 | 01182032 | 1 | screw H 2812 -906-M22X1,5-ST-A3C-LOCTITE506 |
| 8 | 01182031 | 2 | screw H 2812 -906-M14X1,5-ST-A3C-LOCTITE506 |
| 10 | 04200021 | 6 | bushing |
| 11 | 04200022 | 1 | bushing |
| 12 | 01179635 | 10 | plug H 2860 -A45-ST-FE/ZNPHR |
| 14 | 01100940 | 2 | screw DIN 7604 -AM14X1,5-ST-A4C |
| 15 | 04202518 | 1 | sleeve |
| 17 | 04202517 | 1 | sleeve |
| 18 | 01181155 | 1 | plug H 2812 -2838-M22X1,5-ST-A4C-PRE80 |
| 19 | 04282014 | 6 | cylinder liner WITH POS.... (20) 032 (021-025,031,141) |
| 20 | 01181178 | 12 | special oil seal H 2927 -112X3,0-FPM-2-70 |
| 185 | 01016127 | 1 | sealing compound ml. 50 H 0699 -DEUTZDW72-50ML |

ACCESSORIES

| Fig. | P/n | QTY | Name |
|------|-----|-----|------|
|------|-----|-----|------|

Notes:

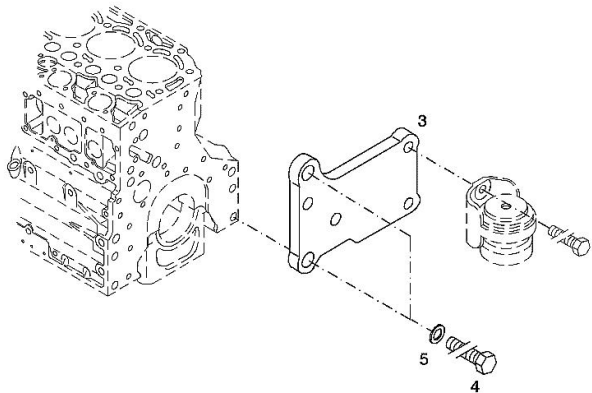
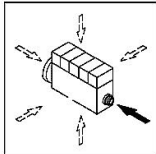
[IRON 180.7 HI-LINE]

Engine serial number:

10063391 10090547 10090550 10090552 10090557 10090563 10090568 10090575 10090576 10090577 10090579
10090583 10092580 10092598 10092958 10092960 10094131 10094134 10094136 10094139 10094157 10094977
10094978 10094982 10094985 10094986 10094988 10095600 10095605 10095607 10095616 10096916 10096920
10096922 10096927 10096931 10096934 10096935 10097023 10097042 10097048 10097051 10097058 10101057
10101060 10101076 10101078 10101152 10101155 10101157 10259101 10259104 10260890 10260891 10260896
10261304 10261543 10261548 10261827 10366513 10366524 10382701 10398269 10398278 10398289 10398302
10459707 10462112 10471466 10471469 10480366 10533815 10533821 10533822 10533824 10533835 10536434

006 ©

| | | | |
|---|----------|---|---------------------------------------|
| 3 | 04288659 | 1 | support |
| 4 | 01148261 | 2 | screw ISO 4017 -M16X40-10.9-ZNAL-A |
| 5 | 01181400 | 2 | washer H 2308 -18X25X1,5-A4C |



Buy Now



Our support email:

ebooklibonline@outlook.com