

Mach 210 T4i VRT

Section: H0 - HYDRAULIC AND PNEUMATIC SYSTEM|

Ref: H0.02.4 (2)

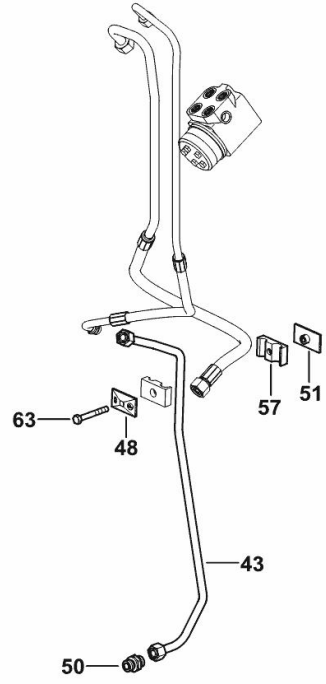
TUBO DE RETORNO DA DIRECÇÃO ASSISTIDA

Fig.	P/n	QTY	Name
------	-----	-----	------

Notes:

- FOR TYPES WITH PNEUMATIC BRAKE [Mach 210 T4i VRT]

43	0.019.5933.3	1	tube
48	01175670	1	small plate
50	01178350	1	pipe fitting m 18 p.1.5x12
51	01180338	1	small plate
57	04454610	2	terminal Ø 12/18
63	2.0112.215.2	2	screw m 8 p.1.25 x 40



K9_V8363_03_0-D-002

Mach 210 T4i VRT

Section: H0 - HYDRAULIC AND PNEUMATIC SYSTEM|

Ref: H0.02.6 (2)

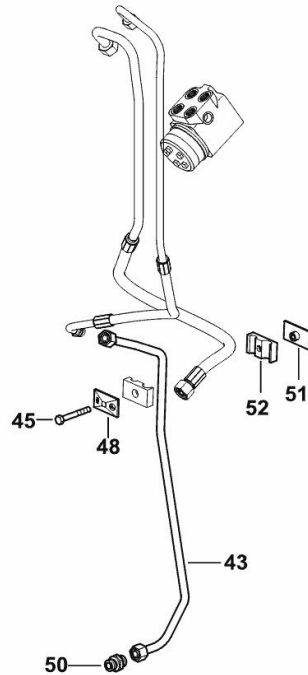
TUBO DE RETORNO DA DIRECÇÃO ASSISTIDA

Fig.	P/n	QTY	Name
------	-----	-----	------

Notes:

- FOR TYPES WITHOUT PNEUMATIC BRAKE [Mach 210 T4i VRT]

43	0.019.5933.3	1	tube
45	2.0112.215.2	2	screw m 8 p.1.25 x 40
48	01175670	1	small plate
50	01178350	1	pipe fitting m 18 p.1.5x12
51	01180338	1	small plate
52	04454610	2	terminal Ø 12/18



K9_V8363_04_0-D-002

Mach 210 T4i VRT

Section: H0 - HYDRAULIC AND PNEUMATIC SYSTEM|

Ref: H0.02.8 (2)

PIPES FOR HYDROSTATIC STEERING

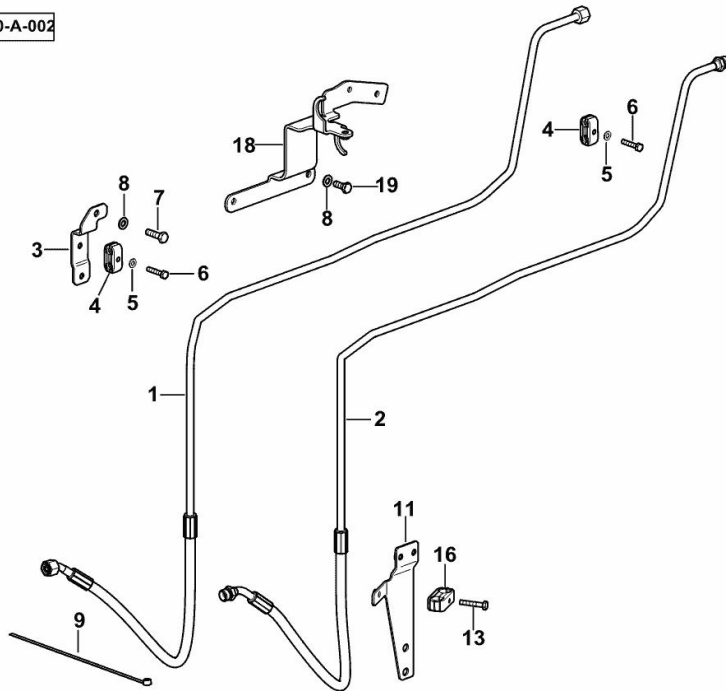
Fig.	P/n	QTY	Name
------	-----	-----	------

Notes:

[Mach 210 T4i VRT]

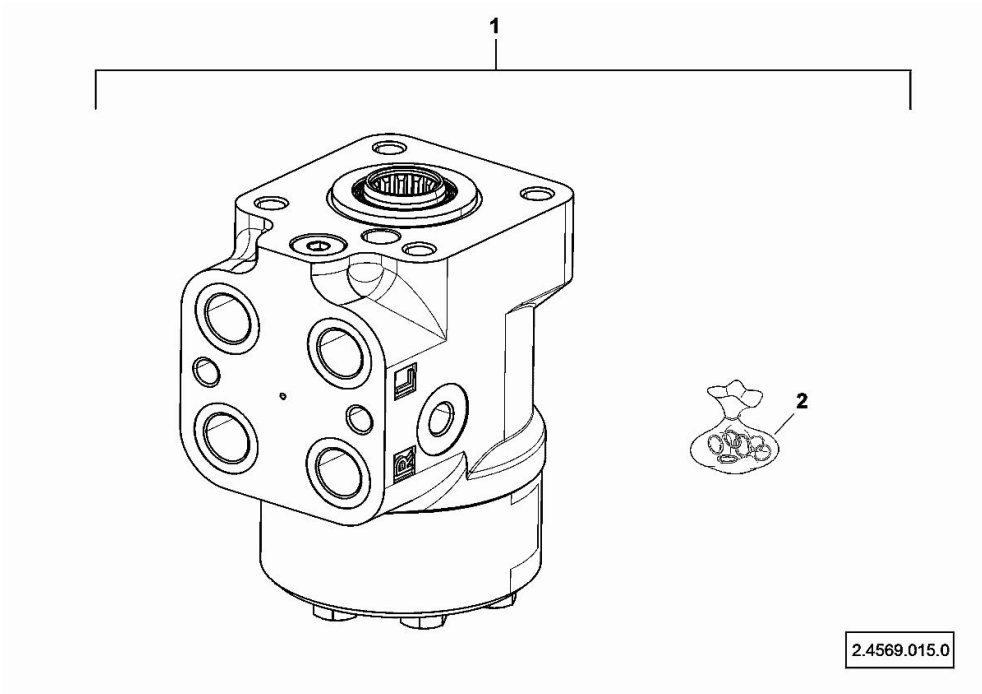
1	0.019.5325.3	1	tube dx/rh/re
2	0.019.5322.3	1	tube sx/lh/li
3	0.016.0613.3	1	support
4	2.3321.007.0	2	collar Ø10/10
5	2.1310.002.2	2	flat washer 6.4x12.5
6	2.0112.011.2	2	screw m 6 p.1x30
7	2.0112.210.2	1	screw m 8 p.1.25 x 28
8	2.1310.004.2	3	flat washer 8.4x17
9	2.6852.203.0	2	clamp 292 x 4.8
11	0.018.4105.3	1	bracket
13	2.0112.013.2	1	screw m 6 p.1 x 35
16	2.3321.018.0	1	collar Ø 15/15
18	0.019.5102.3	1	bracket
19	2.0114.207.2	2	screw m 8 p.1.25 x 20

K9_V8763_02_0-A-002



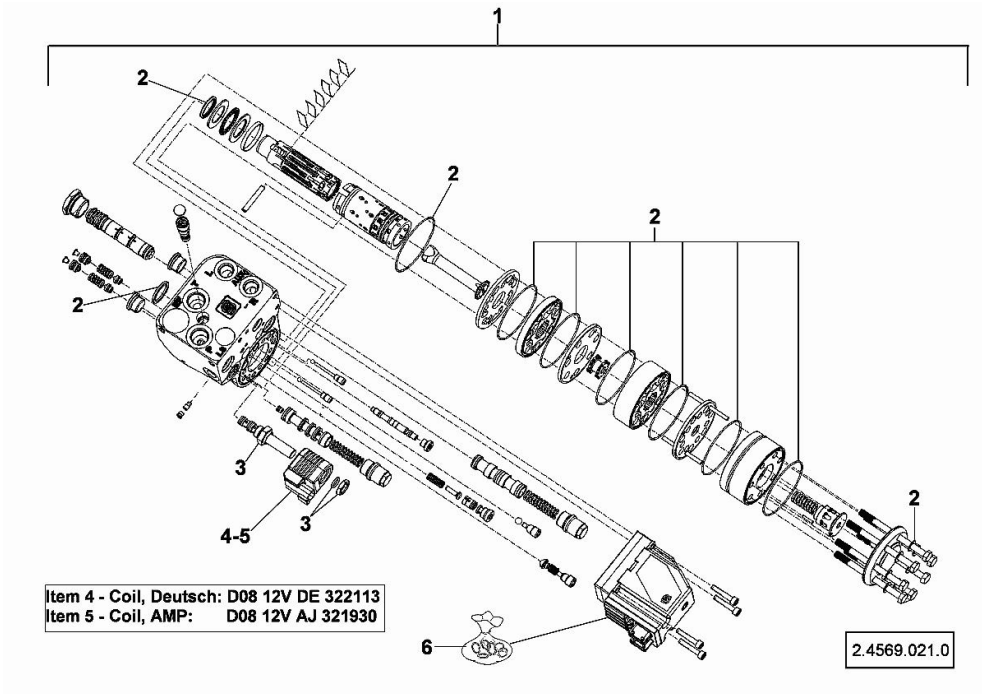
HYDRAULIC STEERING GEAR

Fig.	P/n	QTY	Name
1	2.4569.015.0	1	power steering BOSCH LAGU 180/90-30/LDR-175M40-413S2
2	0.900.2099.1	1	gasket set



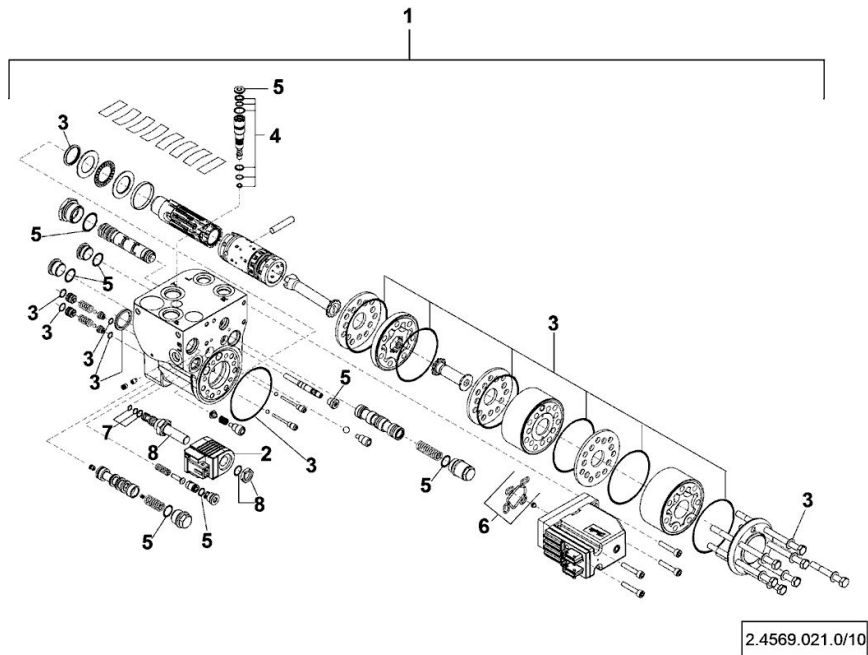
HYDRAULIC STEERING GEAR

Fig.	P/n	QTY	Name
1	2.4569.021.0	1	power steering OSPEDC 60/185 LSRM
2	0.900.0513.5	1	seal ring kit
3	0.900.1992.7	1	spare parts kit
4	0.900.1992.8	1	coil
5	0.900.1992.9	1	coil
6	0.900.1993.0	1	seal ring kit



HYDRAULIC STEERING GEAR OSPEDC 60/185 LSRM

Fig.	P/n	QTY	Name
1	2.4569.021.0/10	1	power steering OSPEDC 60/185 LSRM
2	0.900.1992.9	1	coil
3	0.900.0513.5	1	seal ring kit
4	0.900.2347.5	1	gasket set
5	0.900.2347.4	1	gasket set
6	0.900.1993.0	1	seal ring kit
7	0.900.2347.6	1	gasket set
8	0.900.1992.7	1	spare parts kit

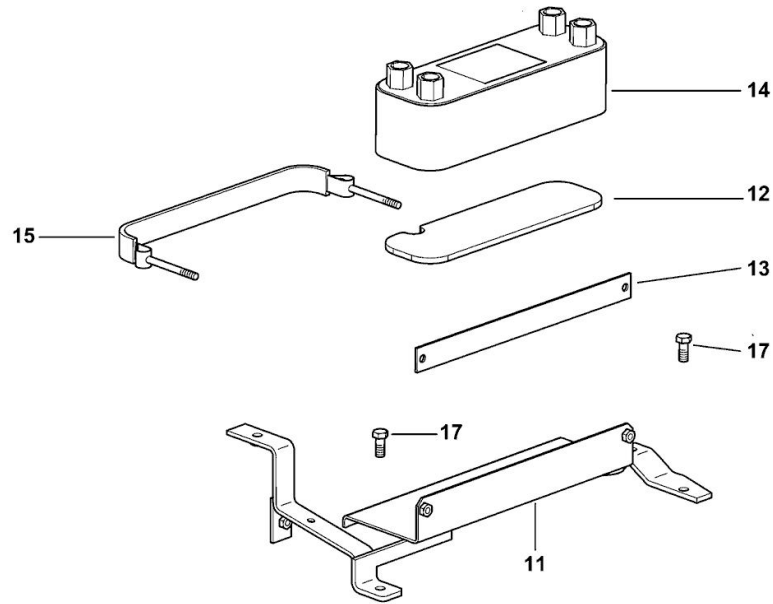


GEARBOX OIL COOLER

Fig.	P/n	QTY	Name
------	-----	-----	------

Notes:
[Mach 210 T4i VRT]

11	0.015.9756.3/40	1	support
12	0.016.7497.0/10	1	guard
13	0.015.7099.0	1	rubber band
14	0.016.0872.0	1	radiator
15	0.015.7240.0	1	u bolt
17	2.0112.309.2	2	screw m 10 p.1.5 x 25



K9_V8382_00_0-A-001

Buy Now



Our support email:

ebooklibonline@outlook.com