

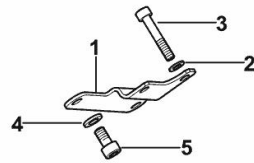
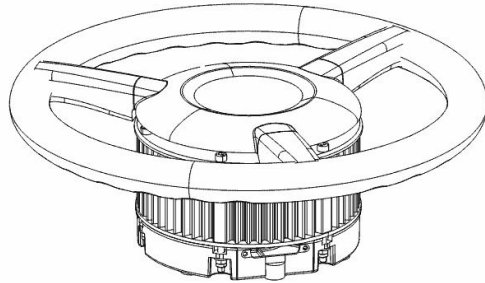
**FASTENINGS - AGROSKY**

Fig.	P/n	QTY	Name
------	-----	-----	------

**Notes:**

- FOR TYPES WITH AGROSKY AS (ASSISTED STEERING) SYSTEM [Mach 230 T4i VRT]

1	0.020.9556.0	1	bracket
2	2.1310.001.3	2	washer 5.3 x 10
3	2.0312.010.3	2	screw m 5 x 30
4	2.1310.002.3	2	flat washer 6.4 x 12 x 1.6
5	2.0312.102.3	2	screw m 6 x 12



K9\_V8771\_67\_0-B-001

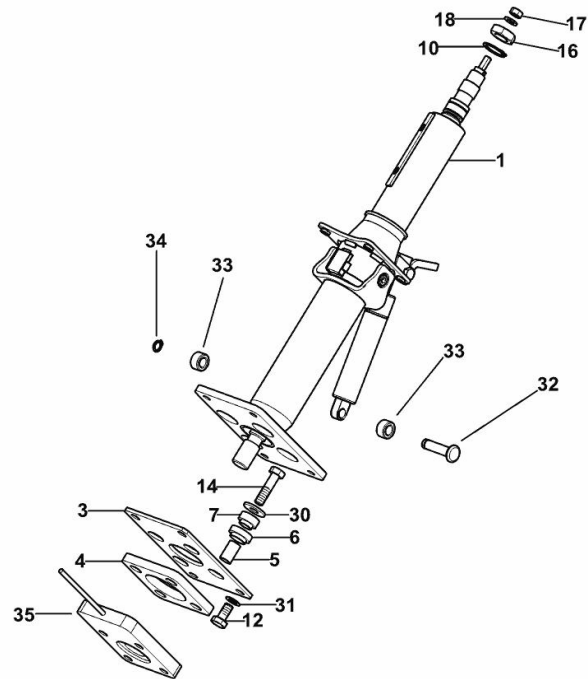
**STEERING COLUMN**

Fig.	P/n	QTY	Name
------	-----	-----	------

**Notes:**

- FOR TYPES WITH AGROSKY PS (PERFORMANCE STEERING) SYSTEM [Mach 230 T4i VRT]

1	0.019.4177.4/30	1	steering column ☞ 0.019.4177.4/30
3	0.010.7445.0/10	1	plate
4	04355546	1	plate
5	04386557	4	spacer
6	04355695	4	spacer
7	0.018.1722.0	4	spacer
10	2.1410.010.7	1	circlip 25
12	2.0114.307.2	4	screw m 10 x 20, d933
14	2.0112.320.2	4	screw m 10 p.1.5 x 55
16	2.1012.510.7	1	nut m 18 p.1.5
17	2.1011.105.2	1	nut m 8 p.1.25
18	2.1310.004.2	1	flat washer 8.4x17
30	2.1399.039.2/10	4	washer 10 x 25 x 2,5
31	2.1470.006.2	4	lock washer 10
32	0.019.6581.0/30	1	pin
33	0.019.6582.0/10	2	spacer
34	2.1410.064.7	1	circlip
35	04454440/20	1	position sensor



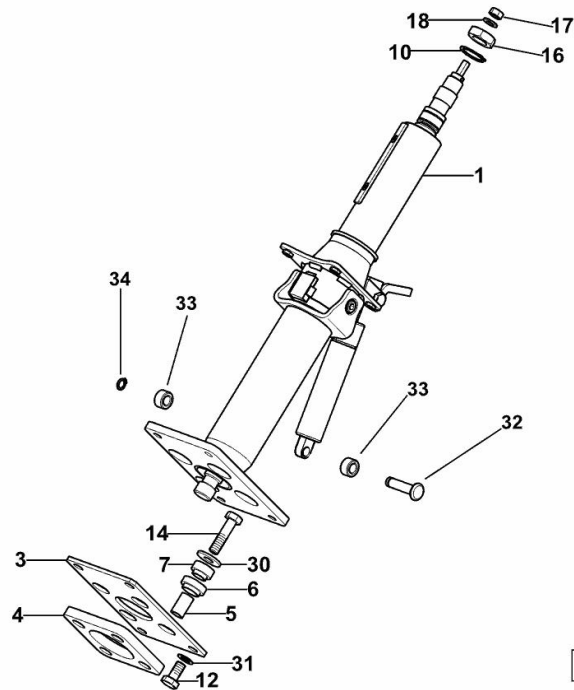
K9\_V8763\_00\_0-A-001

**STEERING COLUMN**

Fig.	P/n	QTY	Name
------	-----	-----	------

**Notes:**

[Mach 230 T4i VRT]



K9\_V8763\_01\_0-A-001

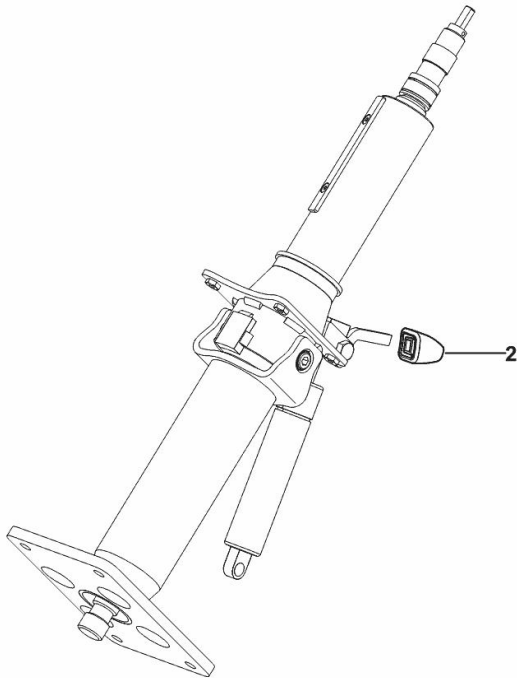
1	0.019.4200.4/20	1	steering column ☞ 0.019.4200.4/20
3	0.010.7445.0/10	1	plate
4	04355546	1	plate
5	04386557	4	spacer
6	04355695	4	spacer
7	0.018.1722.0	4	spacer
10	2.1410.010.7	1	circlip 25
12	2.0114.307.2	4	screw m 10 x 20, d933
14	2.0114.315.2	4	screw m 10 p.1.5 x 40
16	2.1012.510.7	1	nut m 18 p.1.5
17	2.1011.105.2	1	nut m 8 p.1.25
18	2.1310.004.2	1	flat washer 8.4x17
30	2.1399.039.2/10	4	washer 10 x 25 x 2,5
31	2.1470.006.2	4	lock washer 10
32	0.019.6581.0/30	1	pin ( -> 50010 )
33	0.019.6582.0/10	2	spacer
34	2.1410.064.7	1	circlip

**STEERING CONTROL**

Fig.	P/n	QTY	Name
------	-----	-----	------

Notes:  
[Mach 230 T4i VRT]

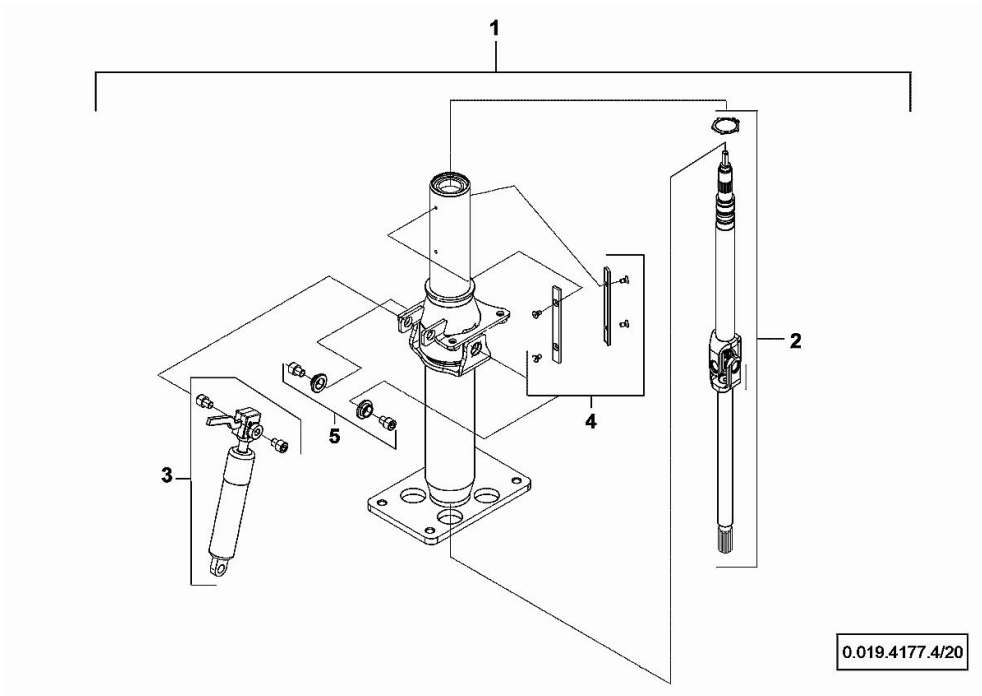
2	0.019.0483.3	1	handle
---	--------------	---	--------



K9\_V8961\_01\_0-A-001

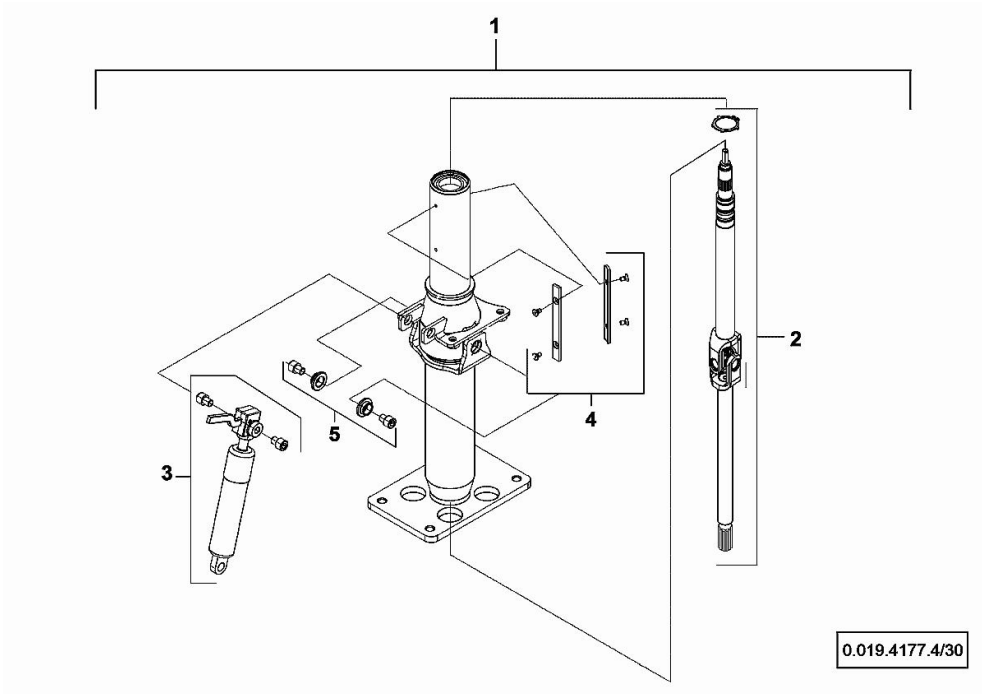
**STEERING COLUMN**

Fig.	P/n	QTY	Name
1	0.019.4177.4/20	1	steering column
2	0.900.2056.8	1	shaft - KIT
3	0.900.2056.5	1	spring - KIT
4	0.010.3701.0	1	stick
5	0.900.0129.2	1	pin



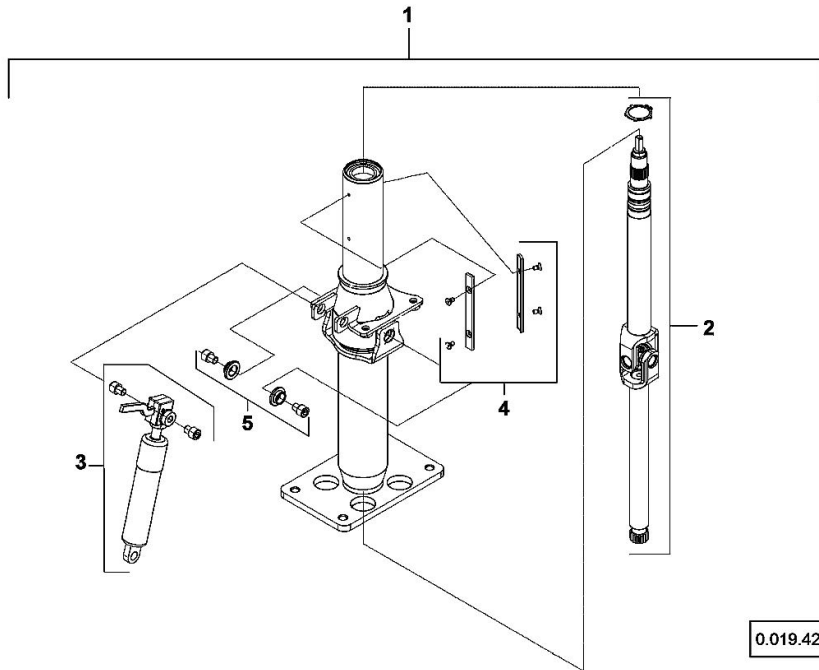
**STEERING COLUMN**

Fig.	P/n	QTY	Name
1	0.019.4177.4/30	1	steering column
2	0.900.2056.8	1	shaft - KIT
3	0.900.2056.5	1	spring - KIT
4	0.010.3701.0	1	stick
5	0.900.0129.2	1	pin



**STEERING COLUMN**

Fig.	P/n	QTY	Name
1	0.019.4200.4/20	1	steering column
2	0.900.0454.4	1	shaft
3	0.900.2056.5	1	spring - KIT
4	0.010.3701.0	1	stick
5	0.900.0129.2	1	pin



**Buy Now**



Our support email:

[ebooklibonline@outlook.com](mailto:ebooklibonline@outlook.com)