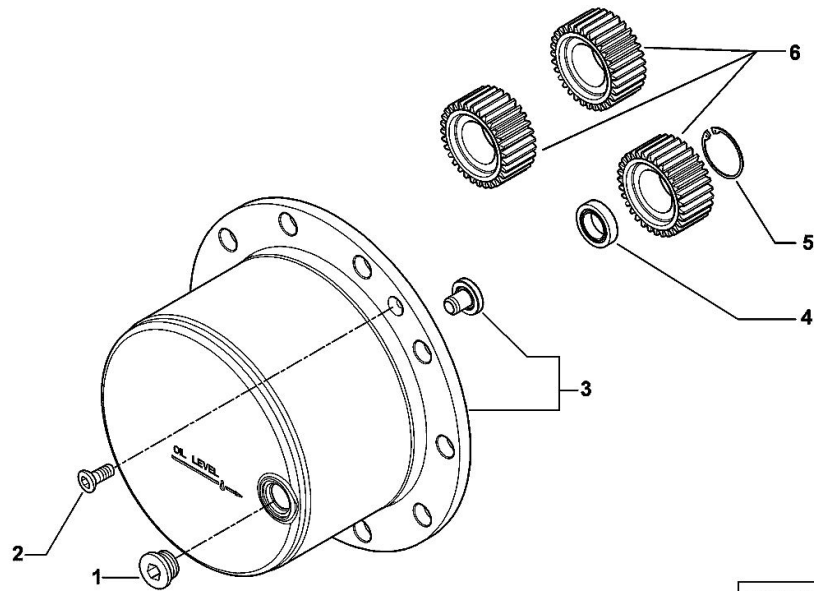


**PLANETARY GEAR**

Fig.	P/n	QTY	Name
1	0.900.0092.1	2	plug m 30 p.2
2	0.900.0092.0	4	screw m 8 p.1.25 x 20
3	0.900.0900.0	2	spider
4	0.900.0900.1	6	bearing
5	0.900.0900.2	6	circlip
6	0.900.0900.3	6	gear Z = 31



0.020.0898.4/10\_6

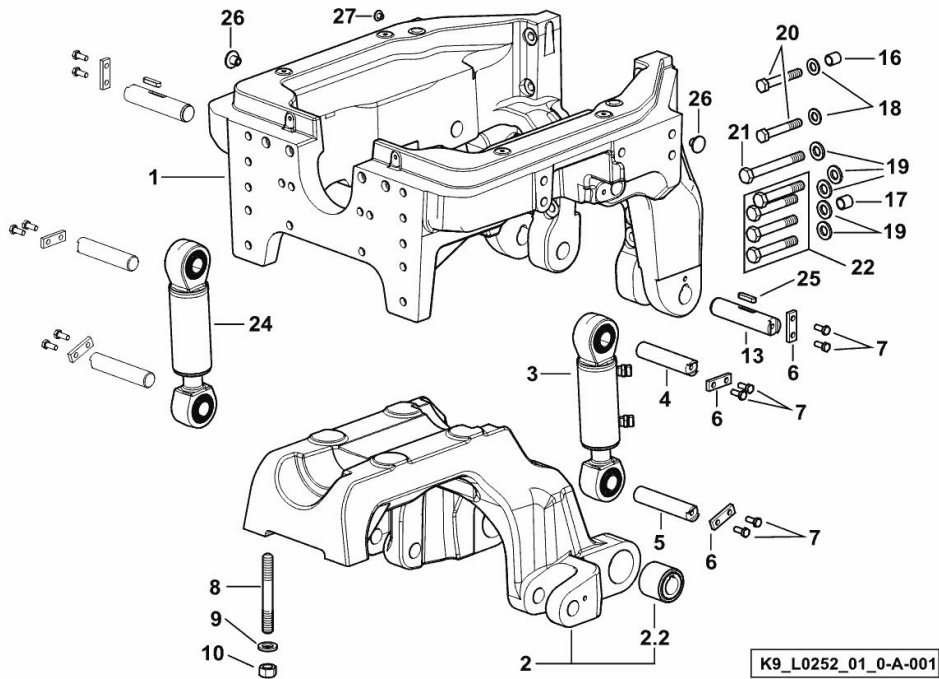
**FRONT CARRIER WITH SUSPENSION**

Fig.	P/n	QTY	Name
------	-----	-----	------

**Notes:**

[Mach 250 T4i VRT] 50010 <-

1	0.015.6247.0/70	1	front support
2	0.015.7985.4/50	1	front support
2.2	0.015.6789.4	2	bush
3	04455060/10	1	jack sx/lh/li - Weber ☞ 04455060/10
4	0.015.9851.0/10	2	front support
5	0.015.3715.0/10	2	pin
6	04422768	6	small plate
7	2.0114.309.2	12	screw m 10 p 1.25 x 25
8	2.0432.629.7	4	stud bolt m 20x140
9	2.1475.108.2	4	spring washer 20
10	2.1011.411.2	4	nut m 20 p.1.5
13	0.015.3711.0	2	pin
16	2.2680.047.0	2	ring 17x22x23
17	0.013.2899.0	2	bushing 19x24x23
18	2.1475.106.7	4	washer 17x32
19	2.1475.107.7	10	washer 18x36
20	2.0119.288.6	4	screw m16x100 d931
21	2.0112.739.2	2	screw m 18 x 150
22	2.0112.731.2	8	screw m 18x110
24	04455061/10	1	jack dx/rh/re - Weber ☞ 04455061/10
25	2.1710.310.0	2	key
26	01167322	10	bottom 18.4x15.5x25
27	0.017.8802.0	2	bottom



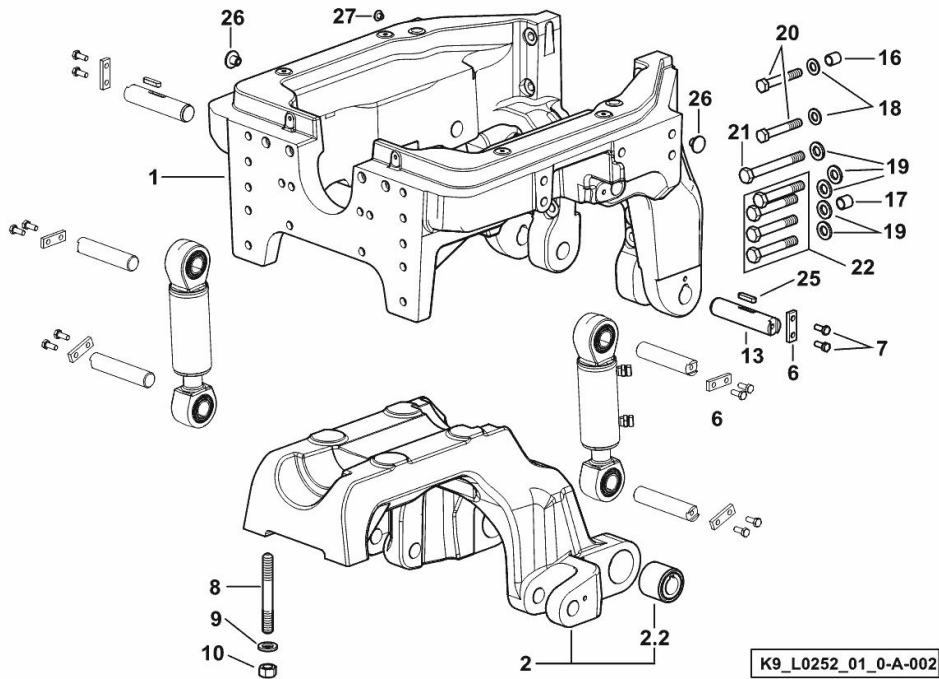
**FRONT CARRIER WITH SUSPENSION**

Fig.	P/n	QTY	Name
------	-----	-----	------

**Notes:**

[Mach 250 T4i VRT] -> 50009

1	0.015.6247.0/70	1	front support
2	0.015.7985.4/90	1	front support
2.2	0.015.6789.4	2	bush
6	04422768	2	small plate
7	2.0114.309.2	4	screw m 10 p 1.25 x 25
8	2.0439.353.6	4	stud bolt m 20 x 150
9	2.1475.108.2	4	spring washer 20
10	2.1011.411.2	4	nut m 20 p.1.5
13	0.015.3711.0	2	pin
16	2.2680.047.0	2	ring 17x22x23
17	0.013.2899.0	2	bushing 19x24x23
18	2.1475.106.7	4	washer 17x32
19	2.1475.107.7	10	washer 18x36
20	2.0119.288.6	4	screw m16x100 d931
21	2.0112.739.2	2	screw m 18 x 150
22	2.0112.731.2	8	screw m 18x110
25	2.1710.310.0	2	key
26	01167322	10	bottom 18.4x15.5x25
27	0.017.8802.0	2	bottom



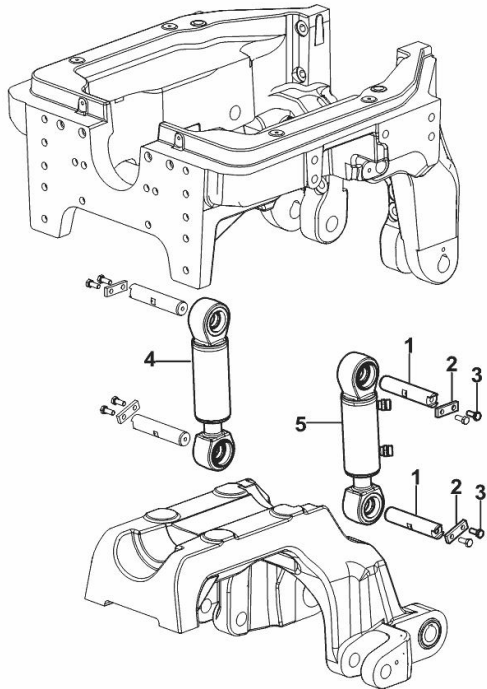
**HYDRAULIC CYLINDERS - FOR TYPES WITH FRONT SUSPENSION**

Fig.	P/n	QTY	Name
------	-----	-----	------

**Notes:**

[Mach 250 T4i VRT] 50013 <-

1	0.021.0516.0	4	pin
2	04422768	4	small plate
3	2.0114.309.2	8	screw m 10 p 1.25 x 25
4	2.3749.035.0	1	cylinder dx/rh/re - Weber ☞ 2.3749.035.0
5	2.3749.036.0	1	cylinder sx/lh/li - Weber



K9\_V8752\_02\_0-A-001

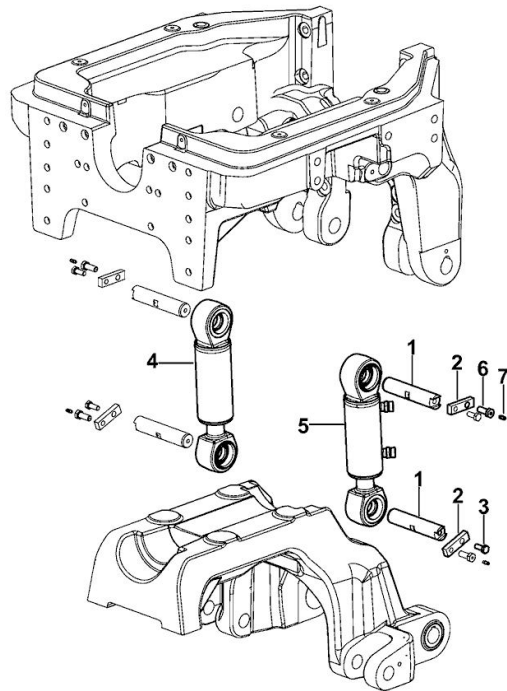
**HYDRAULIC CYLINDERS - FOR TYPES WITH FRONT SUSPENSION**

Fig.	P/n	QTY	Name
------	-----	-----	------

**Notes:**

[Mach 250 T4i VRT] -> 50009

1	0.021.0516.0	4	pin
2	0.020.8164.0	4	small plate
3	2.0114.309.2	4	screw m 10 p 1.25 x 25
4	2.3749.035.0/10	1	jack dx/rh/re - Weber ( -> 50009 ) ☞ 2.3749.035.0/10
5	2.3749.036.0/10	1	jack sx/lh/li - Weber ( -> 50009 )
6	2.3249.736.7	4	screw m 12 x 30
7	2.3820.101.2	4	grease gun m 6 p.1 x 5



K9\_V8752\_02\_0-A-002

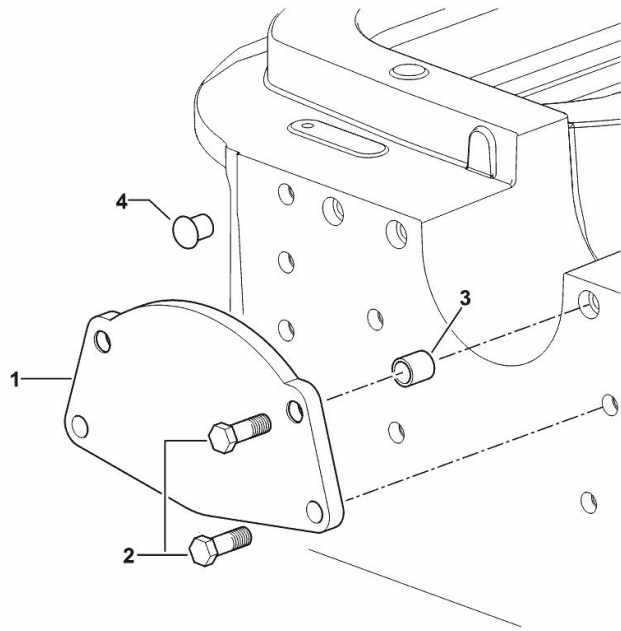
**FRONT COVER WITHOUT FRONT HOOK**

Fig.	P/n	QTY	Name
------	-----	-----	------

**Notes:**

[Mach 250 T4i VRT]

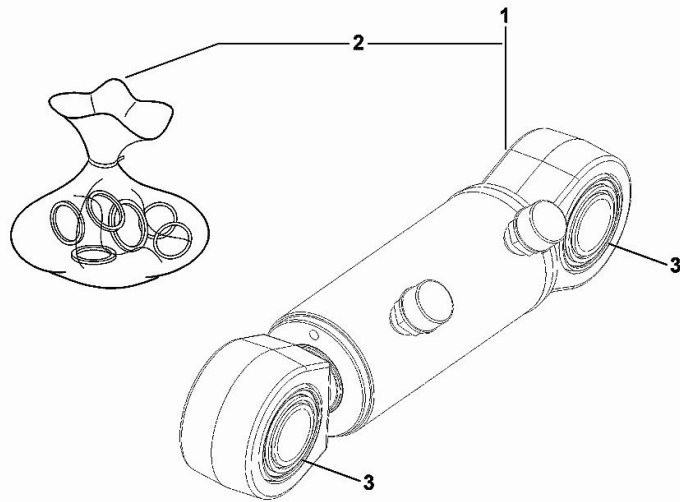
1	04422634/10	1	plate
2	2.0112.615.2	4	screw m 16 p.2 x 40
3	2.2680.047.0	2	ring 17x22x23
4	01167317	12	plug 14.5X11.5X21



K9\_95052\_31\_0-A-001

**HYDRAULIC CYLINDER**

Fig.	P/n	QTY	Name
1	04455060/10	1	jack sx/lh/li - Weber
2	0.900.1284.5	1	gasket set
3	0.900.1492.3	2	bushing



04455060/10

**Buy Now**



Our support email:

[ebooklibonline@outlook.com](mailto:ebooklibonline@outlook.com)