

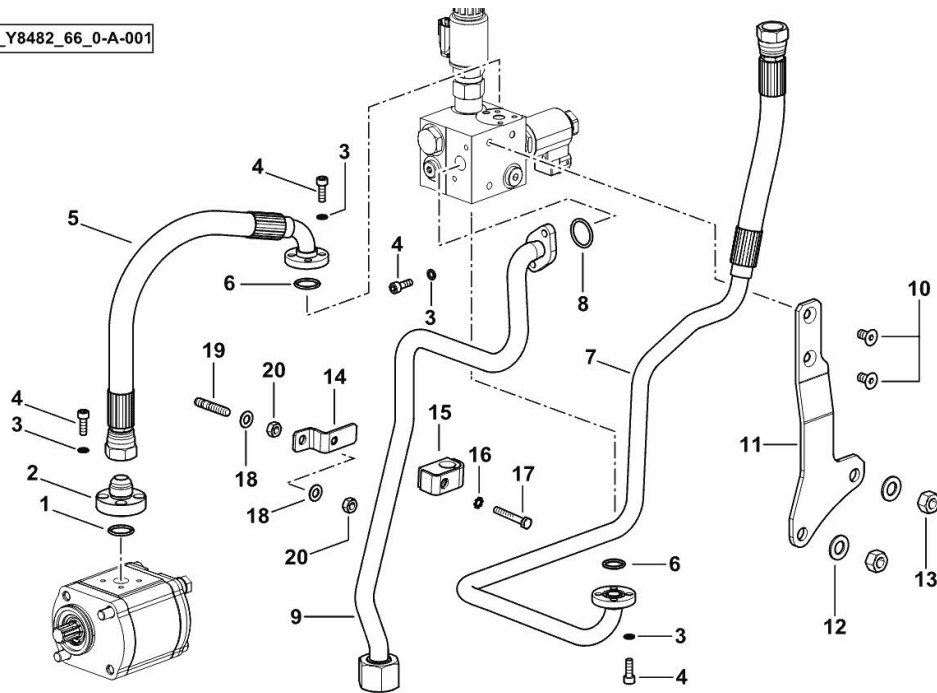
**HYDRAULIC SYSTEM**

Fig.	P/n	QTY	Name
------	-----	-----	------

**Notes:**

- FOR TYPES WITH 8-WAY REMOTE VALVE WITH FLOW CONTROL [Nitro 100 T4i Hi-Profile]

9\_Y8482\_66\_0-A-001



1	2.1531.052.0	1	oil seal 20.29 x 2.62
2	0.010.9142.0/10	1	flange
3	2.1480.012.2	12	washer 6, d128
4	2.0312.105.2	12	screw m 6 p.1 x 18
5	0.019.5740.3	1	tube
6	2.1531.043.0	2	oil seal 17.13x2.62
7	0.019.5376.3	1	tube
8	2.1531.062.0	1	oil seal 23.81 x 2.62
9	0.019.5391.3	1	tube
10	2.0342.303.6	2	screw m 8 p. 1.25x16
11	0.019.5780.0/10	1	bracket
12	2.1310.007.2	2	flat washer 13 x 24
13	2.1011.107.2	2	nut m 12 p.1.75
14	0.020.0426.3	1	bracket
15	2.3320.108.0	1	terminal
16	2.1470.002.2	1	lock washer 6
17	2.0112.015.2	1	screw m 6 p.1x40
18	2.1310.004.2	2	flat washer 8.4x17
19	2.0422.207.2	1	stud bolt m 8 p 1.25 x 30
20	2.1011.105.2	2	nut m 8 p.1.25

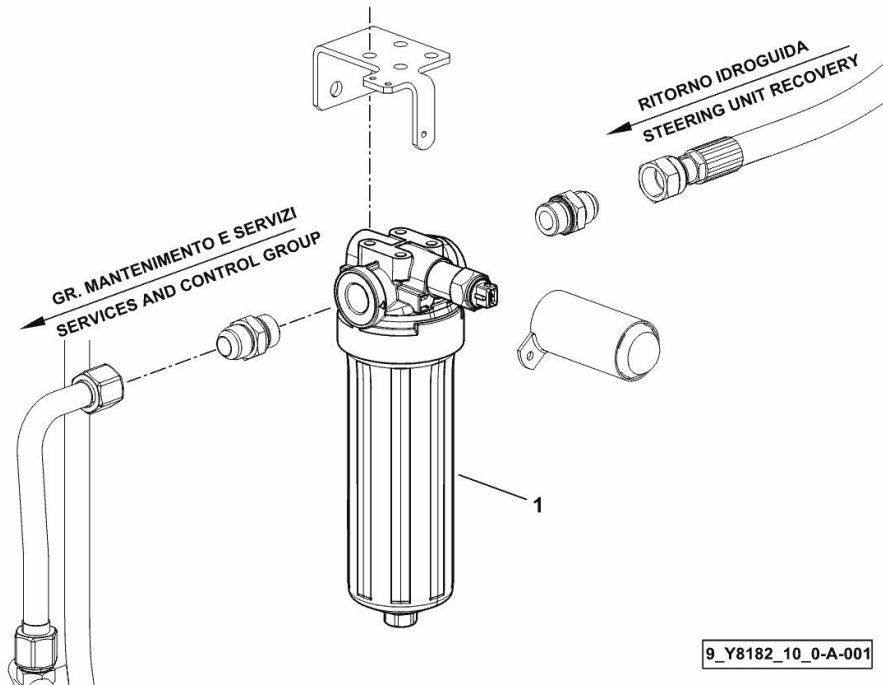
**OIL PRESSURE LINE FILTER**

Fig.	P/n	QTY	Name
------	-----	-----	------

**Notes:**

[Nitro 100 T4i Hi-Profile]

1	2.4419.813.0	1	oil filter 9" ☞ 2.4419.813.0
---	--------------	---	---------------------------------



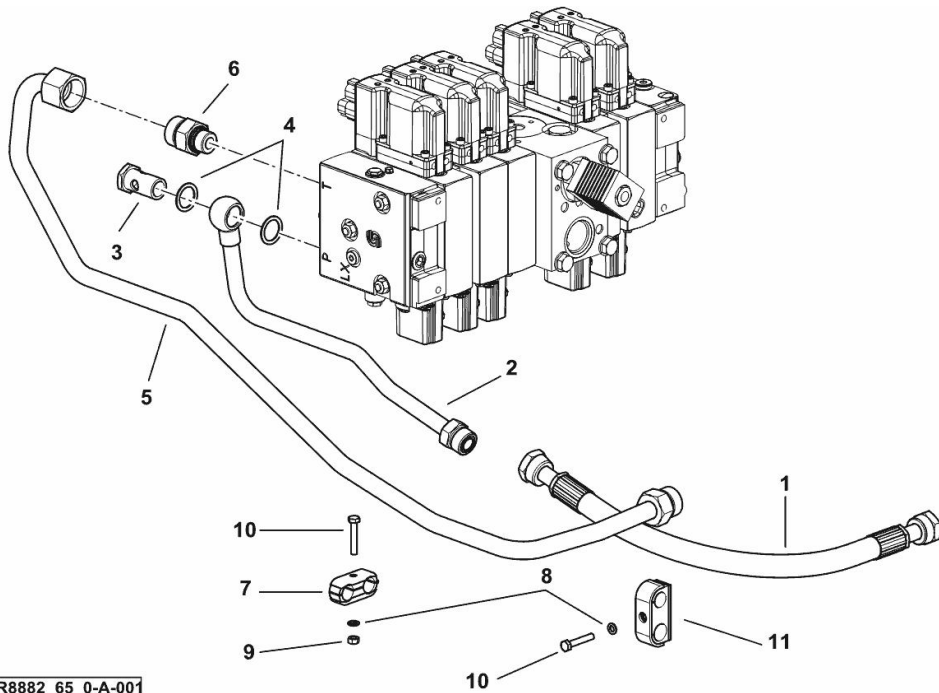
**HYDRAULIC SYSTEM FOR SECOND PUMP**

Fig.	P/n	QTY	Name
------	-----	-----	------

**Notes:**

- FOR TYPES WITH ELECTRICAL REMOTE VALVE CONTROL [Nitro 100 T4i Hi-Profile]

1	0.017.8992.3	1	tube
2	0.017.8991.3	1	tube
3	2.3335.009.2	1	pipe union m 22 p.1.5 x 39
4	2.1560.018.0	2	gasket 22.2 x 29
5	0.017.8993.3	1	tube
6	2.3275.016.0	1	pipe fitting m 22
7	2.3321.020.0	1	collar Ø 16/16
8	2.1470.002.2	2	lock washer 6
9	2.1011.103.2	1	nut m 6 p.1
10	2.0112.013.2	2	screw m 6 p.1 x 35
11	2.3320.217.0	1	collar Ø 16/18



9\_R8882\_65\_0-A-001

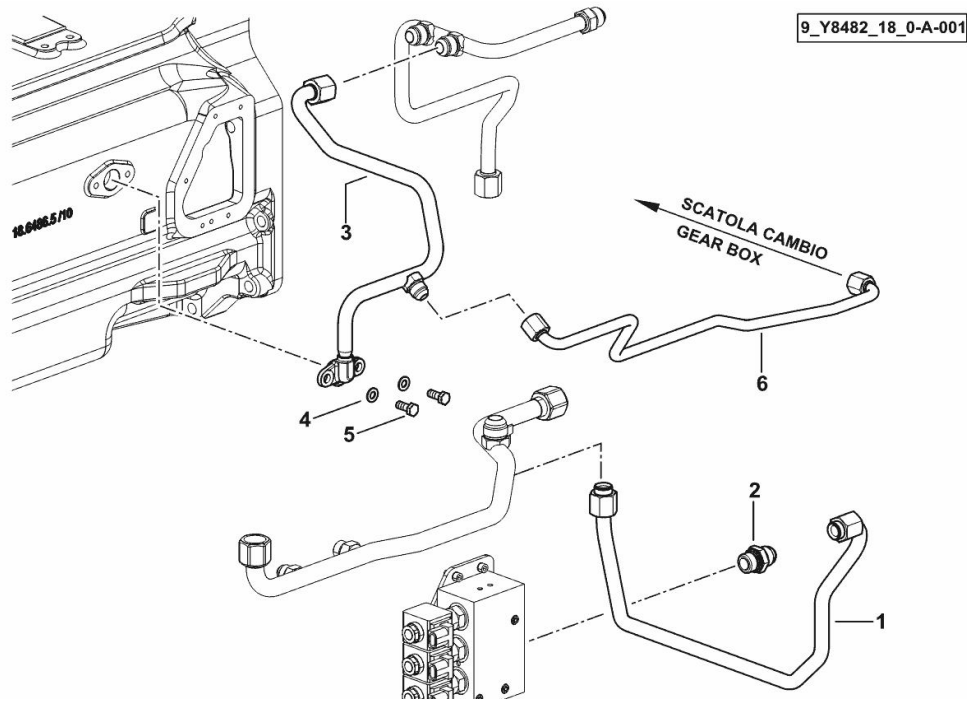
**HYDRAULIC SYSTEM PARTS KIT H-M-L**

Fig.	P/n	QTY	Name
------	-----	-----	------

**Notes:**

- POWERSHIFT [Nitro 100 T4i Hi-Profile]

1	0.019.3782.3	1	tube
2	2.3249.173.2	1	pipe fitting M/M 7/8 JIC-M22
3	0.019.3783.3/10	1	tube
4	2.1310.004.2	2	flat washer 8.4x17
5	2.0112.207.2	2	screw m 8 p 1.25 x 20
6	0.020.0667.3	1	tube



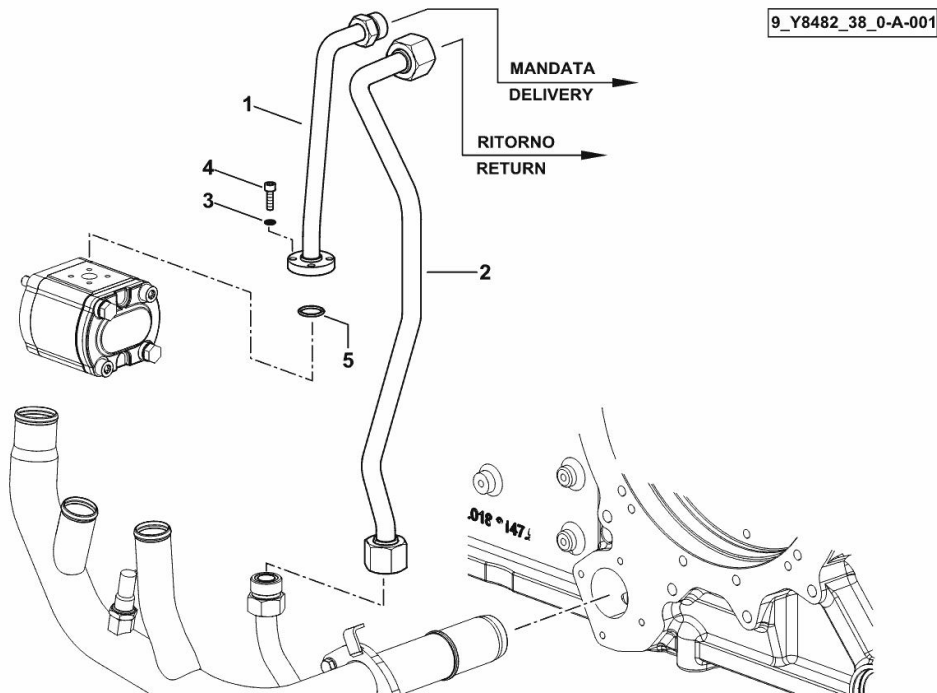
**HYDRAULIC SYSTEM PARTS KIT**

Fig.	P/n	QTY	Name
------	-----	-----	------

**Notes:**

- FOR TYPES WITH ELECTRICAL REMOTE VALVE CONTROL [Nitro 100 T4i Hi-Profile]

1	0.017.8994.3	1	tube - DELIVERY
2	0.019.5678.3	1	tube - RETURN
3	2.1480.012.2	4	washer 6, d128
4	2.0312.106.2	4	screw m 6 p.1 x 20
5	2.1531.052.0	1	oil seal 20.29 x 2.62



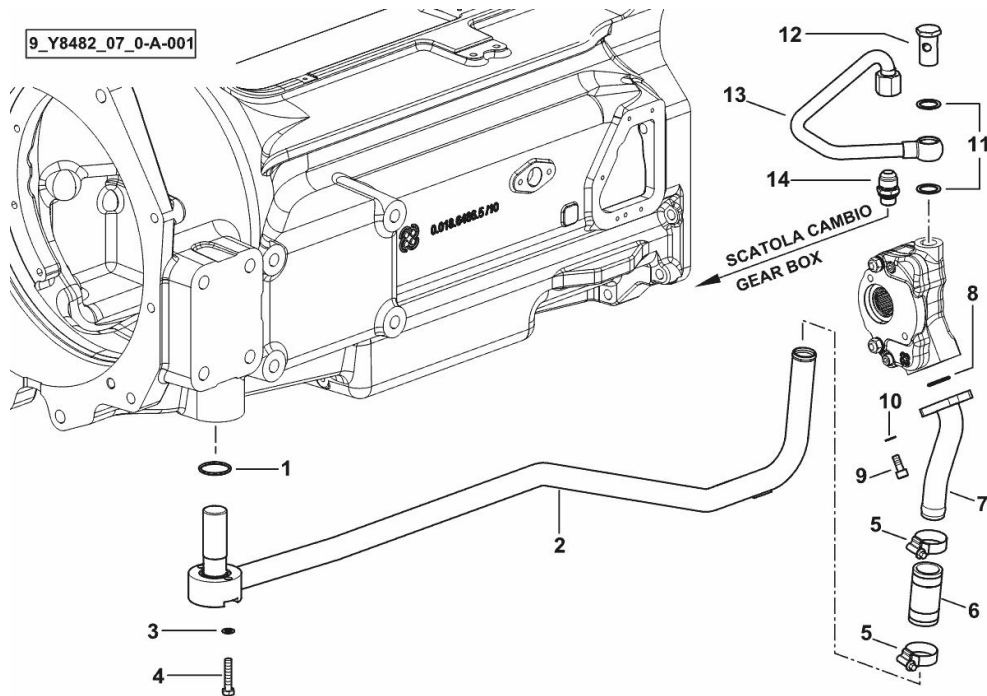
**OIL TRANSFER PUMP HYDRAULIC SYSTEM**

Fig.	P/n	QTY	Name
------	-----	-----	------

**Notes:**

[Nitro 100 T4i Hi-Profile]

1	2.1531.091.0	1	oil seal 34.60 x 2.62
2	0.018.6201.3	1	tube
3	2.1470.004.2	2	lock washer 8
4	2.0112.215.2	2	screw m 8 p.1.25 x 40
5	2.6851.004.0	2	clamp Ø 32/50
6	2.3213.228.0	1	sleeve
7	0.015.6617.3	1	tube
8	2.1531.062.0	1	oil seal 23.81 x 2.62
9	2.0312.206.2	2	screw m 8 p 1.25 x 20
10	2.1480.014.2	2	washer 8
11	2.1560.018.0	2	gasket 22.2 x 29
12	2.3335.009.2	1	pipe union m 22 p.1.5 x 39
13	0.015.1335.3	1	tube
14	2.3249.141.2	1	pipe fitting 7/8 JIC-M18



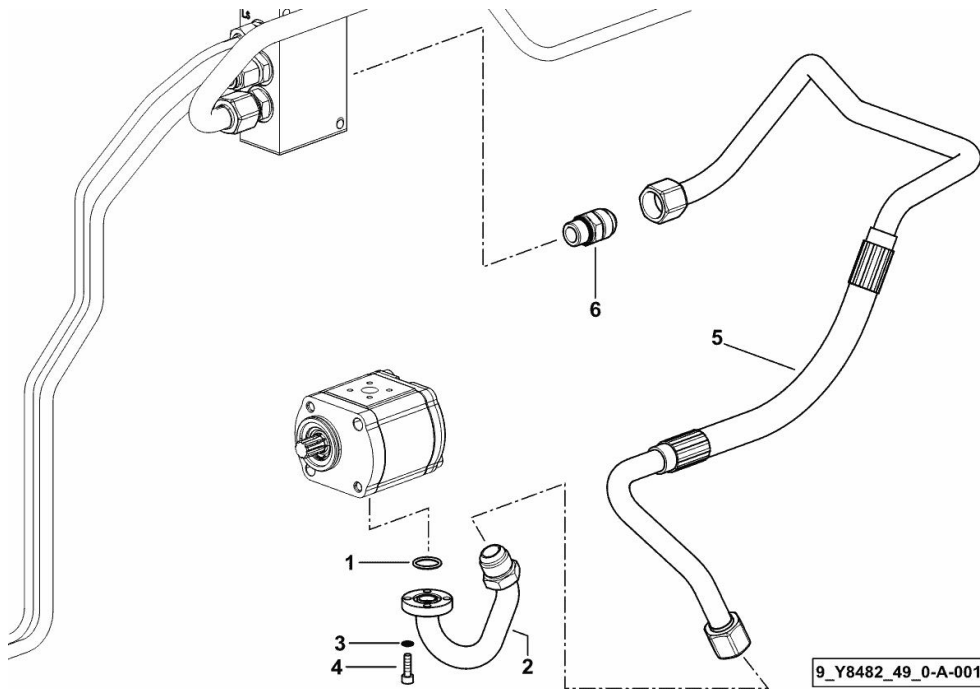
**FRONT SUSPENSION DELIVERY LINE**

Fig.	P/n	QTY	Name
------	-----	-----	------

**Notes:**

- 60 LT ECO [Nitro 100 T4i Hi-Profile]

1	2.1531.052.0	1	oil seal 20.29 x 2.62
2	0.015.1442.3	1	tube
3	2.1480.012.2	4	washer 6, d128
4	2.0312.106.2	4	screw m 6 p.1 x 20
5	0.019.1206.3	1	tube
6	2.3249.158.2	1	pipe fitting



**Buy Now**



Our support email:

[ebooklibonline@outlook.com](mailto:ebooklibonline@outlook.com)