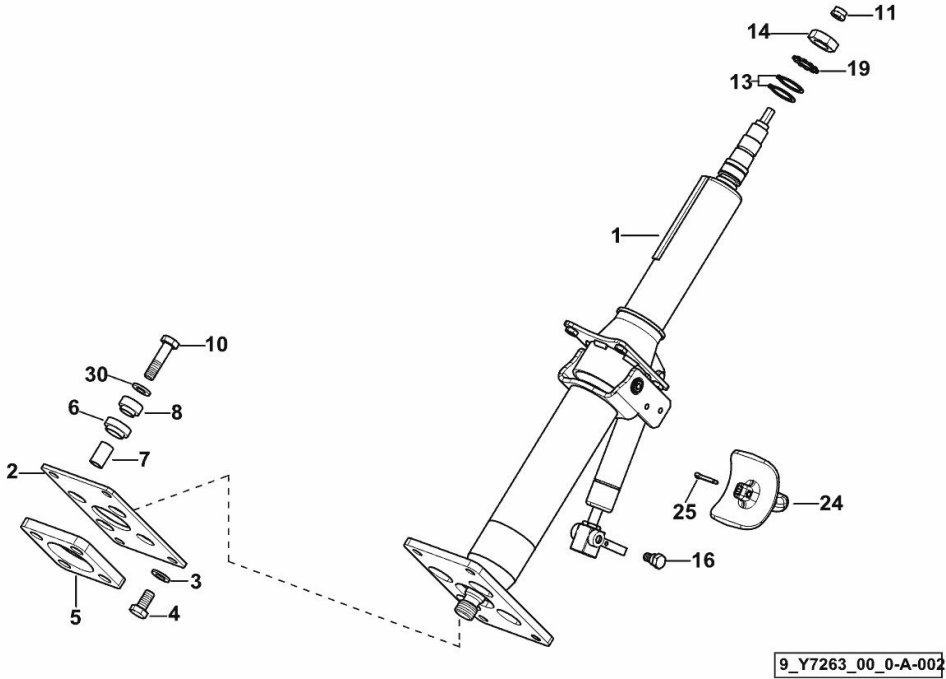


Section: G0 - BODYWORK - CAB
STEERING COLUMN

Fig.	P/n	QTY	Name
------	-----	-----	------

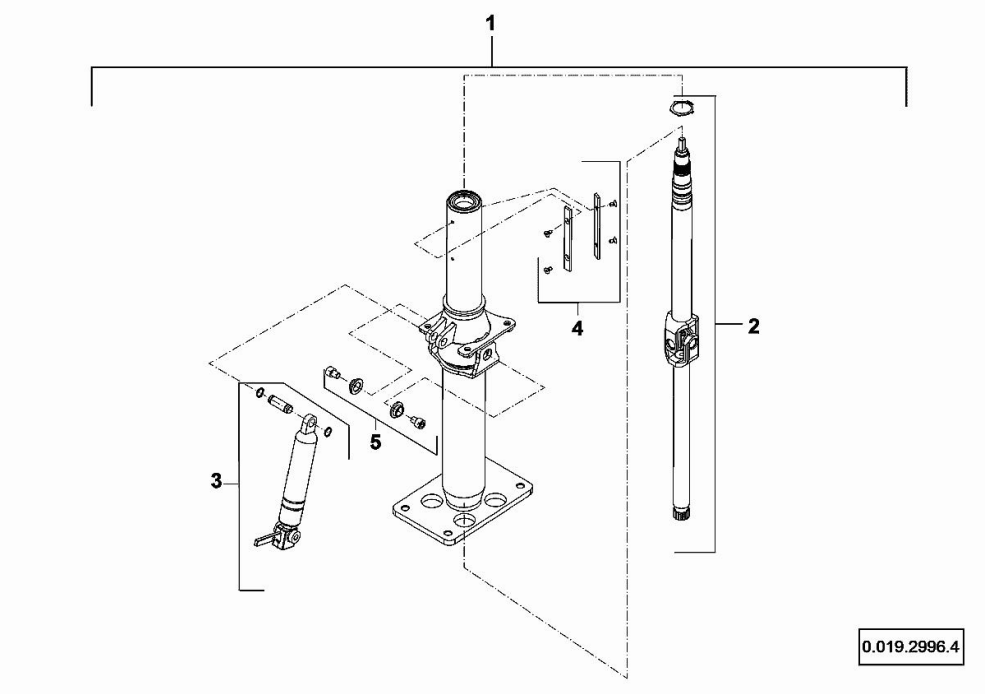
Notes:
[Nitro 100 T4i]

1	0.019.2996.4	1	steering column ☞ 0.019.2996.4
2	0.010.7445.0/10	1	plate
3	2.1310.006.2	4	flat washer 10.5x21
4	2.0114.307.2	4	screw m 10 x 20, d933
5	04355546	1	plate
6	04355695	4	spacer
7	04386557	4	spacer
8	0.018.1722.0	4	spacer
10	2.0114.315.2	4	screw m 10 p.1.5 x 40
11	2.1120.105.2	1	self-locking nut m 8 p.1.25
13	2.1410.010.7	2	circlip 25
14	2.1011.510.2	1	nut m 18 p.1.5
16	2.0399.413.2	2	screw m 8 p1.25x16
19	2.1470.010.2	1	lock washer 18
24	0.013.2547.0/10	1	lever
25	2.1690.408.2	1	split pin 4 x 20
30	2.1399.039.2/10	4	washer 10 x 25 x 2,5



Section: G0 - BODYWORK - CAB
STEERING COLUMN

Fig.	P/n	QTY	Name
1	0.019.2996.4	1	steering column
2	0.900.0454.6	1	shaft
3	0.900.0305.8	1	spring
4	0.010.3701.0	1	stick
5	0.900.0129.2	1	pin

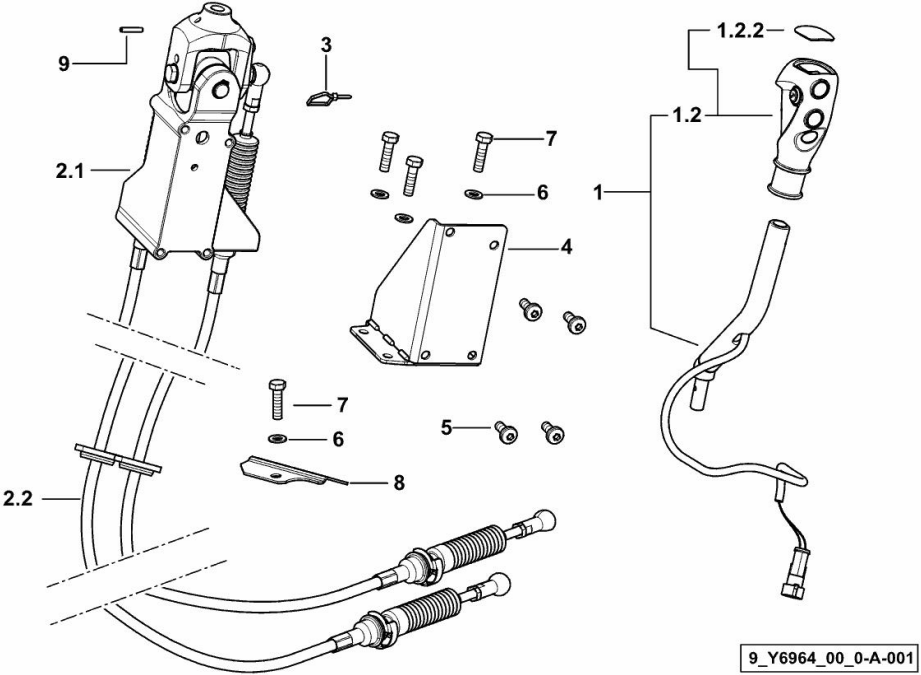


Section: G0 - BODYWORK - CAB
GEARSHIFT LEVER

Fig.	P/n	QTY	Name
------	-----	-----	------

Notes:
[Nitro 100 T4i]

1	0.019.1701.4/10	1	gear lever
1.2	0.019.7635.3	1	knob
			- WITHOUT PUSHBUTTONS
1.2.2	0.019.8900.2	1	cap
2.1	0.018.4985.4	1	control
			☞ 0.018.4985.4
2.2	0.019.8673.4	2	rod
3	2.6852.001.0	1	clamp 99 x 2.5
4	0.019.8756.2/10	1	bracket
5	2.0330.507.2	4	screw m 8 p.1.25 x 20
6	2.1310.004.2	5	flat washer 8.4x17
7	2.0112.211.2	5	screw m 8 p.1.25 x 30
8	0.019.1144.0	1	bracket
9	2.1630.450.2	1	pin 4x22



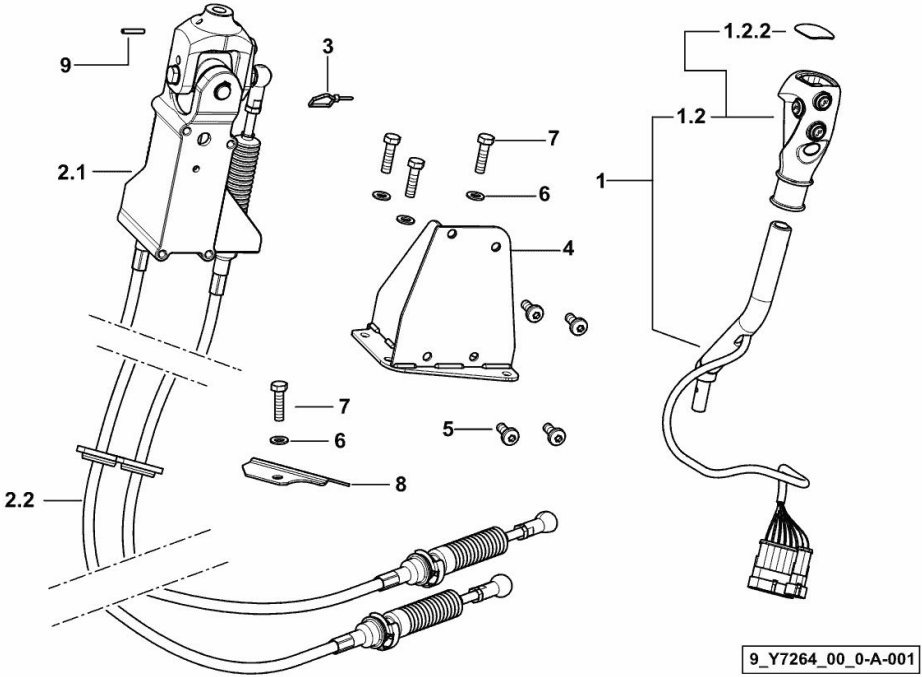
9_Y6964_00_0-A-001

Section: G0 - BODYWORK - CAB
GEARSHIFT LEVER

Fig.	P/n	QTY	Name
------	-----	-----	------

Notes:
- FOR TYPES WITH H-M-L [Nitro 100 T4i]

1	0.020.0625.4	1	gear lever
1.2	0.019.7635.3	1	knob
- WITHOUT PUSHBUTTONS			
1.2.2	0.019.8900.2	1	cap
2.1	0.018.4985.4	1	control
			☞ 0.018.4985.4
2.2	0.019.8673.4	2	rod
3	2.6852.001.0	1	clamp 99 x 2.5
4	0.019.8756.2/10	1	bracket
5	2.0330.507.2	4	screw m 8 p.1.25 x 20
6	2.1310.004.2	5	flat washer 8.4x17
7	2.0112.211.2	5	screw m 8 p.1.25 x 30
8	0.019.1144.0	1	bracket
9	2.1630.450.2	1	pin 4x22



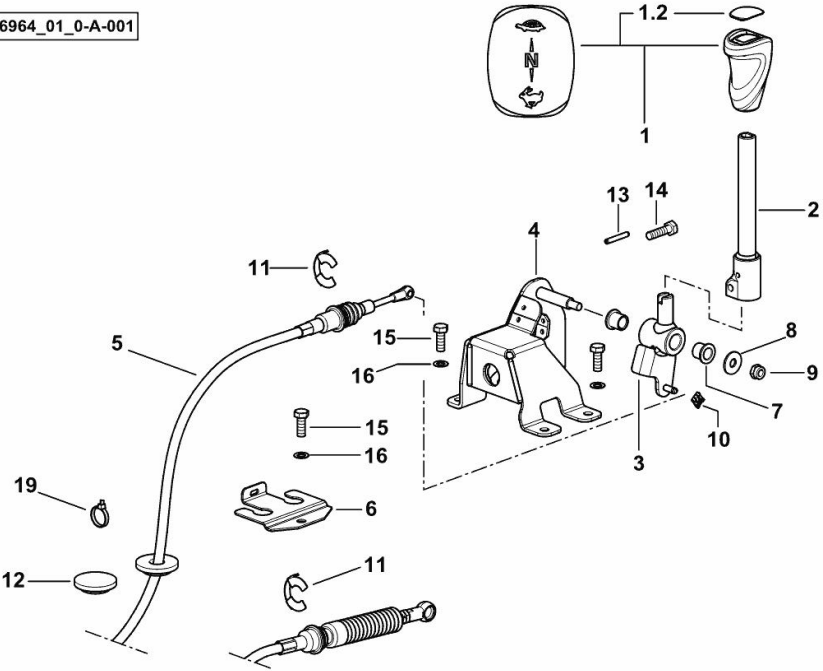
RANGE CONTROL

Fig.	P/n	QTY	Name
------	-----	-----	------

Notes:
 - FOR MODELS WITH 2 RANGES [Nitro 100 T4i]

1	0.019.2023.3/20	1	knob
1.2	0.019.2024.3/10	1	cap
2	0.019.0376.3	1	gear lever
3	0.019.0367.3	1	hub
4	0.019.0361.2	1	bracket
5	0.019.0372.3/10	1	rod
6	0.019.0397.0/10	1	bracket
7	2.1559.243.0	2	special bushing 12x16x15
8	2.1312.004.2	1	washer 8x24x2
9	2.1120.105.2	1	self-locking nut m 8 p.1.25
10	01175725	1	clip 6, d128
11	04418159	2	circlip
12	0.013.1681.0	1	plug
13	2.1631.415.2	1	pin 5x32
14	2.0112.211.2	1	screw m 8 p.1.25 x 30
15	2.0112.208.2	5	screw m 8 p.1.25 x 22
16	2.1470.004.2	5	lock washer 8
19	2.6852.101.0	1	clamp 142x3.6

9_Y6964_01_0-A-001



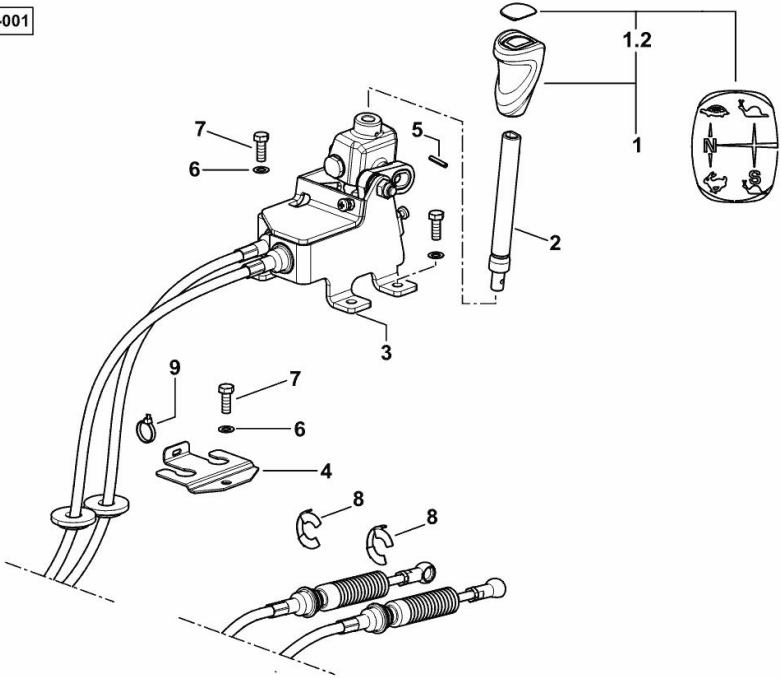
RANGE CONTROL

Fig.	P/n	QTY	Name
------	-----	-----	------

Notes:
 - FOR MODELS WITH 4 RANGES [Nitro 100 T4i]

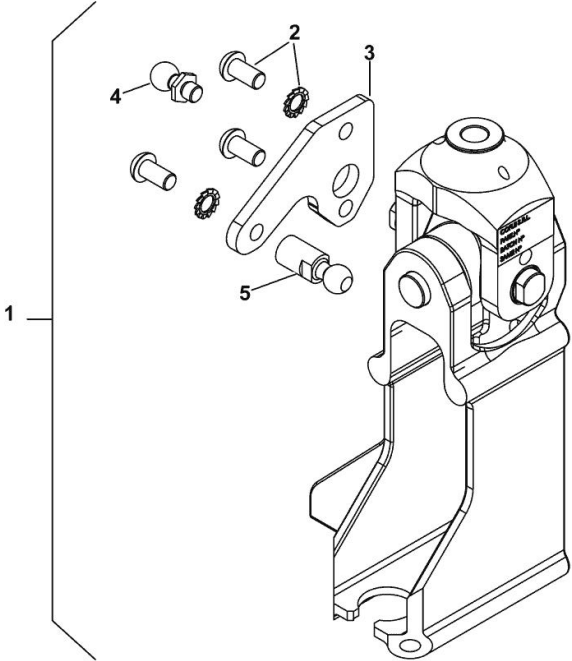
1	0.019.0170.3/20	1	knob
1.2	0.019.0171.3/10	1	cap
2	0.019.2530.2	1	lever
3	0.018.9163.4/20	1	control ☞ 0.018.9163.4/20
4	0.019.0397.0/10	1	bracket
5	2.1630.450.2	1	pin 4x22
6	2.1470.004.2	5	lock washer 8
7	2.0112.208.2	5	screw m 8 p.1.25 x 22
8	04418159	2	circlip
9	2.6852.101.0	1	clamp 142x3.6

9_Y6964_02_0-A-001



DRIVE FOR GEAR CHANGE BOX

Fig.	P/n	QTY	Name
1	0.018.4985.4	1	control
2	0.000.0000.1		cannot be supplied
3	0.900.2126.2	1	bracket
4	0.900.2126.3	1	screw
5	0.900.2126.4	1	small pin



0.018.4985.4

Buy Now



Our support email:

ebooklibonline@outlook.com