

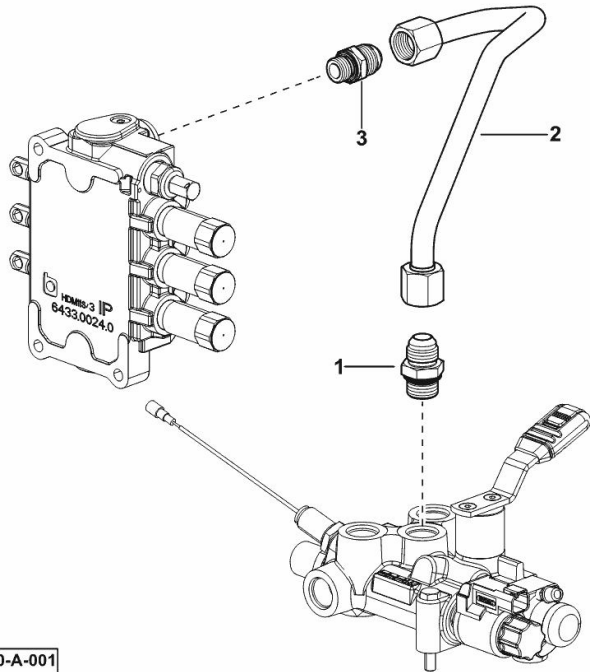
HYDRAULIC TRAILER BRAKING PARTS KIT

Fig.	P/n	QTY	Name
------	-----	-----	------

Notes:

- FOR TYPES WITH 6-WAY REMOTE SPOOL VALVE WITHOUT FLOW REGULATOR [Nitro 120 T4i -> ZKDBA002W0TL20001]

1	2.3249.173.2	1	pipe fitting M/M 7/8 JIC-M22
2	0.019.4676.3	1	tube
3	2.3249.141.2	1	pipe fitting 7/8 JIC-M18



9_Y6989_07_0-A-001

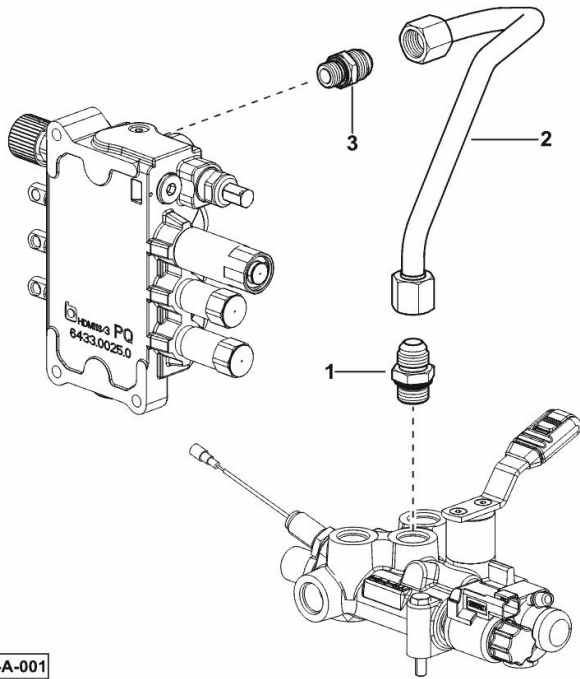
HYDRAULIC TRAILER BRAKING PARTS KIT

Fig.	P/n	QTY	Name
------	-----	-----	------

Notes:

- FOR TYPES WITH 6-WAY REMOTE SPOOL VALVE WITH FLOW REGULATOR [Nitro 120 T4i -> ZKDBA002W0TL20001]

1	2.3249.173.2	1	pipe fitting M/M 7/8 JIC-M22
2	0.019.1224.3	1	tube
3	2.3249.141.2	1	pipe fitting 7/8 JIC-M18



9_Y7289_07_0-A-001

Nitro 120 T4i -> ZKDBA002W0TL20001

Section: H0 - HYDRAULIC AND PNEUMATIC SYSTEM|

Ref: H0.09.40 (1)

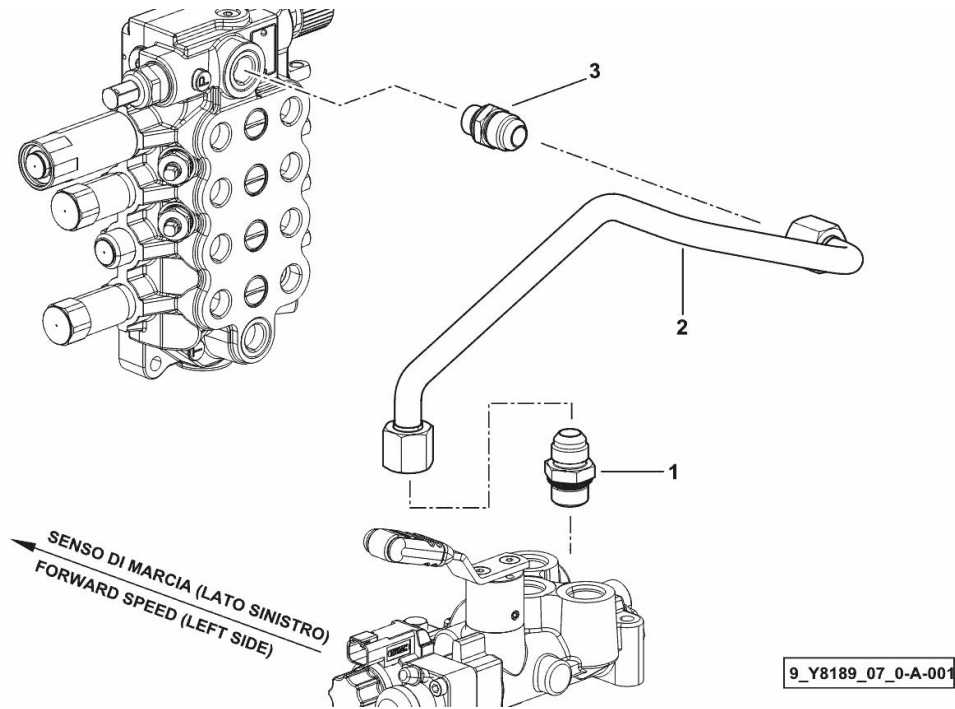
HYDRAULIC TRAILER BRAKING PARTS KIT

Fig.	P/n	QTY	Name
------	-----	-----	------

Notes:

- FOR TYPES WITH 8-WAY REMOTE VALVE WITH FLOW CONTROL [Nitro 120 T4i -> ZKDBA002W0TL20001]

1	2.3249.173.2	1	pipe fitting M/M 7/8 JIC-M22
2	0.019.1221.3	1	tube
3	2.3249.141.2	1	pipe fitting 7/8 JIC-M18



Nitro 120 T4i -> ZKDBA002W0TL20001

Section: H0 - HYDRAULIC AND PNEUMATIC SYSTEM]

Ref: H0.09.41 (1)

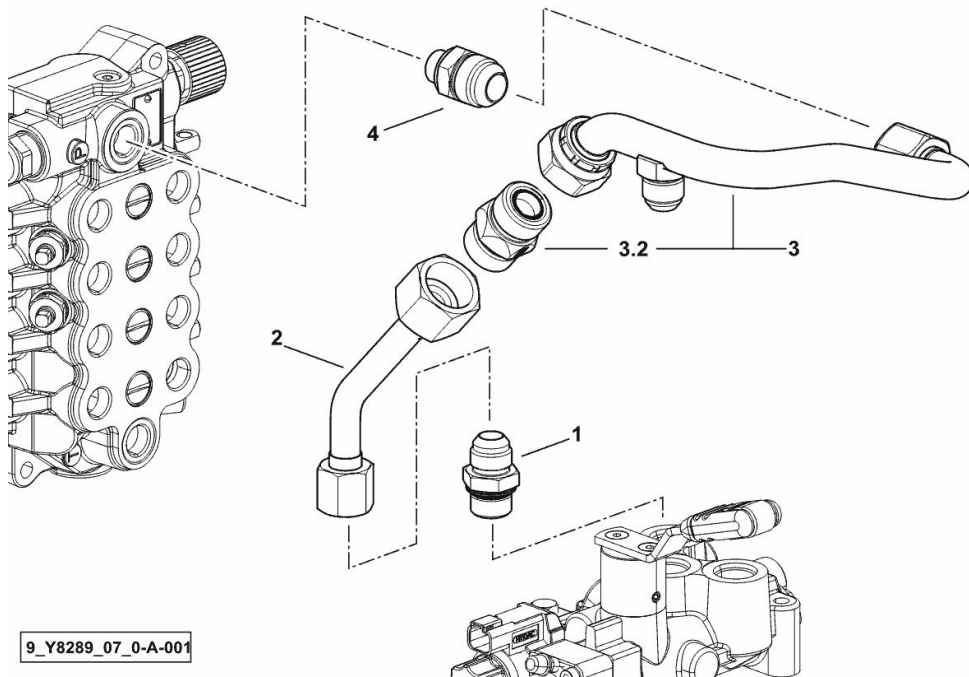
HYDRAULIC TRAILER BRAKING PARTS KIT

Fig.	P/n	QTY	Name
------	-----	-----	------

Notes:

- FOR TYPES WITH 8-WAY REMOTE VALVE WITH FLOW CONTROL - 60 LT ECO [Nitro 120 T4i -> ZKDBA002W0TL20001]

1	2.3249.173.2	1	pipe fitting M/M 7/8 JIC-M22
2	0.019.5222.3	1	tube
3	0.019.5221.4	1	tube
3.2	2.3729.034.0	1	valve
4	2.3249.148.2	1	pipe fitting m 18 - 1/16" JIC



9_Y8289_07_0-A-001

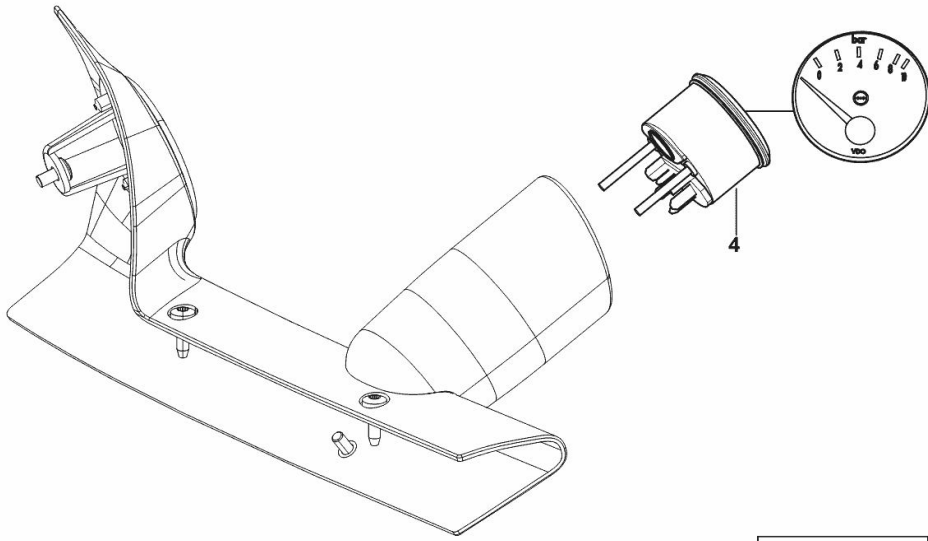
AIR-PRESSURE GAUGE 10 bar

Fig.	P/n	QTY	Name
------	-----	-----	------

Notes:

[Nitro 120 T4i -> ZKDBA002W0TL20001]

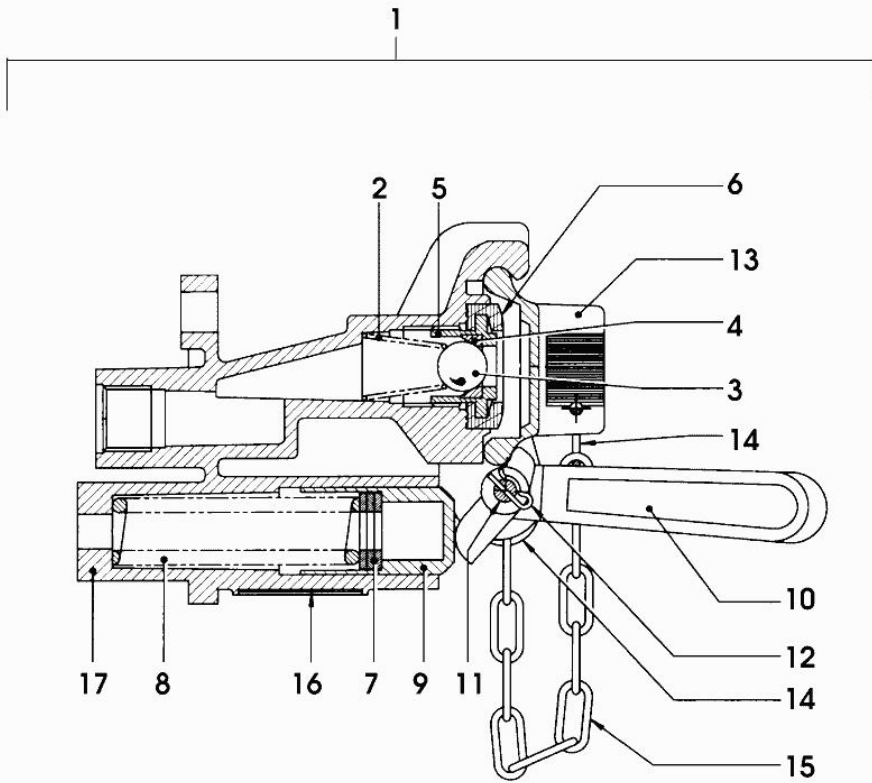
4	0.011.9433.0	1	air pressure gauge 10 bar
---	--------------	---	---------------------------



9_Y6989_22_0-B-001

COUPLING PARTS CUNA

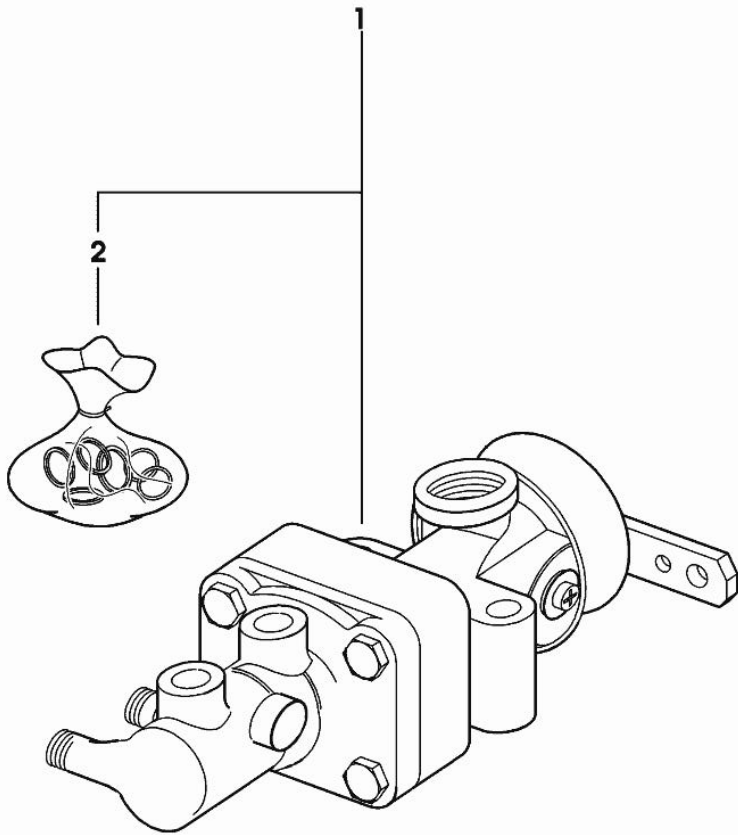
Fig.	P/n	QTY	Name
1	0.010.4582.4	1	joint CUNA
2	0.010.3145.1	2	spring
3	0.010.3145.2	2	ball
4	0.010.3146.0	2	gasket
5	0.010.3146.1	2	ring nut
6	0.010.3146.2	2	gasket
7	0.010.3147.0	3	washer
8	0.010.3147.1	1	spring
9	0.010.3147.2	1	cup
10	0.010.3148.0	1	lever
11	0.010.3148.1	1	pin
12	0.010.3148.2	1	split pin
13	0.010.3149.0	1	cover
14	0.010.3149.1	2	ring
15	0.010.3149.2	1	small chain
16	0.010.3150.0	1	plate
17	0.010.3150.1	1	body



0_010_4582_4

TRAILER BRAKE VALVE

Fig.	P/n	QTY	Name
1	0.011.8633.4	1	valve
2	0.900.0136.2	1	accessories



0_011_8633_4

Buy Now



Our support email:

ebooklibonline@outlook.com