

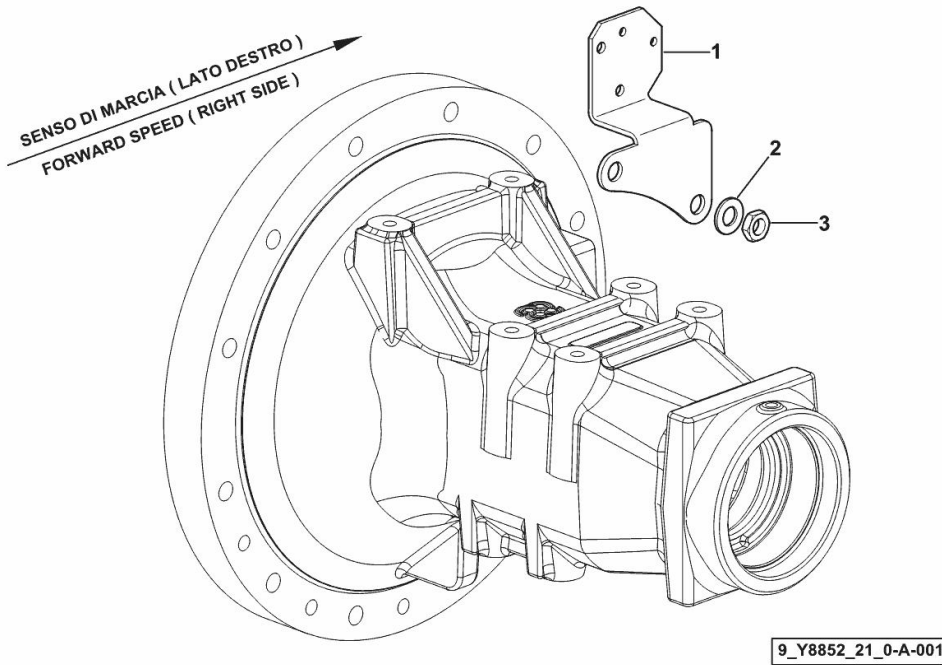
BRACKET

Fig.	P/n	QTY	Name
------	-----	-----	------

Notes:

- FOR TYPES WITH SUSPENDED DRIVING AXLE [Nitro 120 T4i Hi-Profile -> ZKDY8602W0TL10001]

1	0.019.6007.0	1	bracket
2	2.1310.009.2	2	flat washer 15x20
3	2.1011.508.2	2	nut m 14 p.1.5



Nitro 120 T4i Hi-Profile -> ZKDY8602W0TL10001

Section: H0 - HYDRAULIC AND PNEUMATIC SYSTEM|

Ref: H0.04.2 (1)

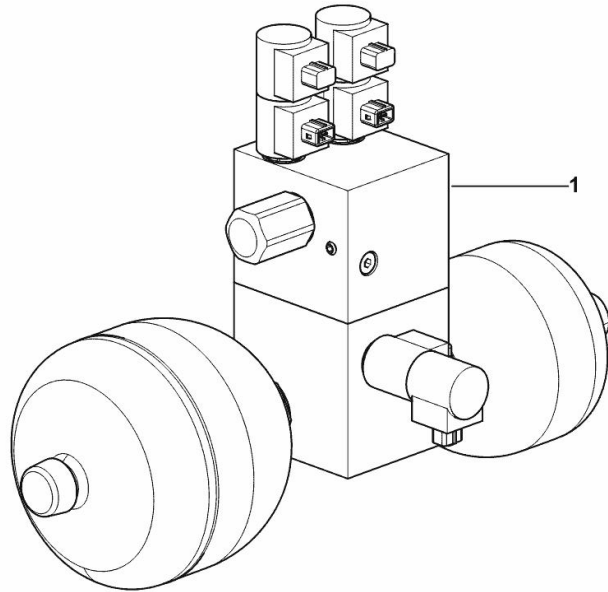
ACCUMULATOR BLOCK

Fig.	P/n	QTY	Name
------	-----	-----	------

Notes:

[Nitro 120 T4i Hi-Profile -> ZKDY8602W0TL10001]

1	04455149/40	1	accumulator kpl. ☞ 04455149/40
---	-------------	---	-----------------------------------



9_Y8152_10_0-A-001

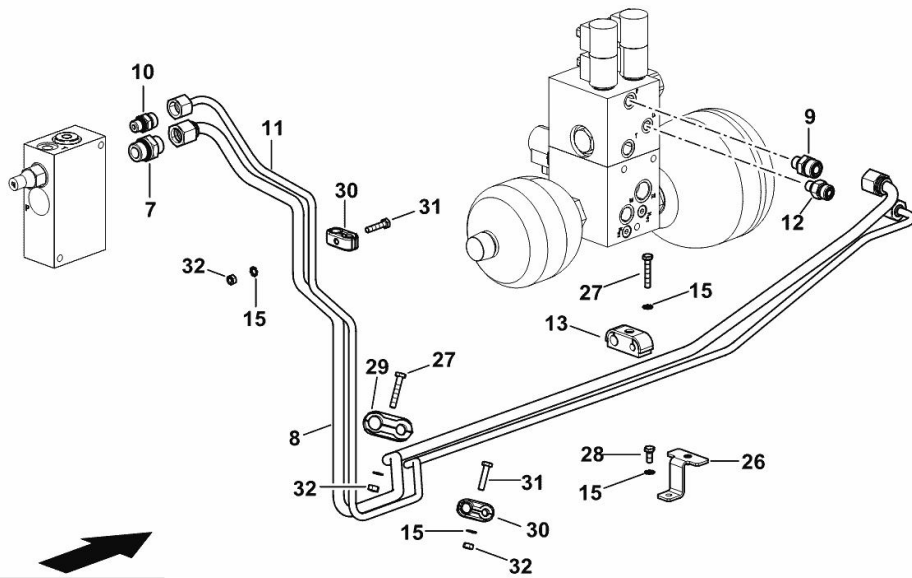
FRONT CARRIER SUSPENSION SYSTEM

Fig.	P/n	QTY	Name
------	-----	-----	------

Notes:

- 60 LT ECO [Nitro 120 T4i Hi-Profile -> ZKDY8602W0TL10001]

7	2.3249.488.2	1	pipe fitting m 22 p.1.5
8	0.019.5993.3/10	1	tube
9	2.3249.313.2	1	pipe fitting m 14 p.1.5-13/16
10	2.3272.006.0	1	pipe fitting m 14 p.1.5
11	0.019.5992.3/10	1	tube
12	2.3272.005.0	1	pipe fitting m 12
13	2.3320.304.0	1	terminal Ø 8/12
15	2.1470.002.2	6	lock washer 6
26	0.020.0488.3	1	bracket
27	2.0112.013.2	2	screw m 6 p.1 x 35
28	2.0112.004.2	1	screw m 6 p.1 x 14
29	2.3321.012.0	1	collar Ø 12/16
30	04454482	2	fascia
31	2.0112.010.2	2	screw m 6 p.1x30
32	2.1011.103.2	3	nut m 6 p.1



9_Y8452_20_0-A-001

FRONT CARRIER SUSPENSION SYSTEM

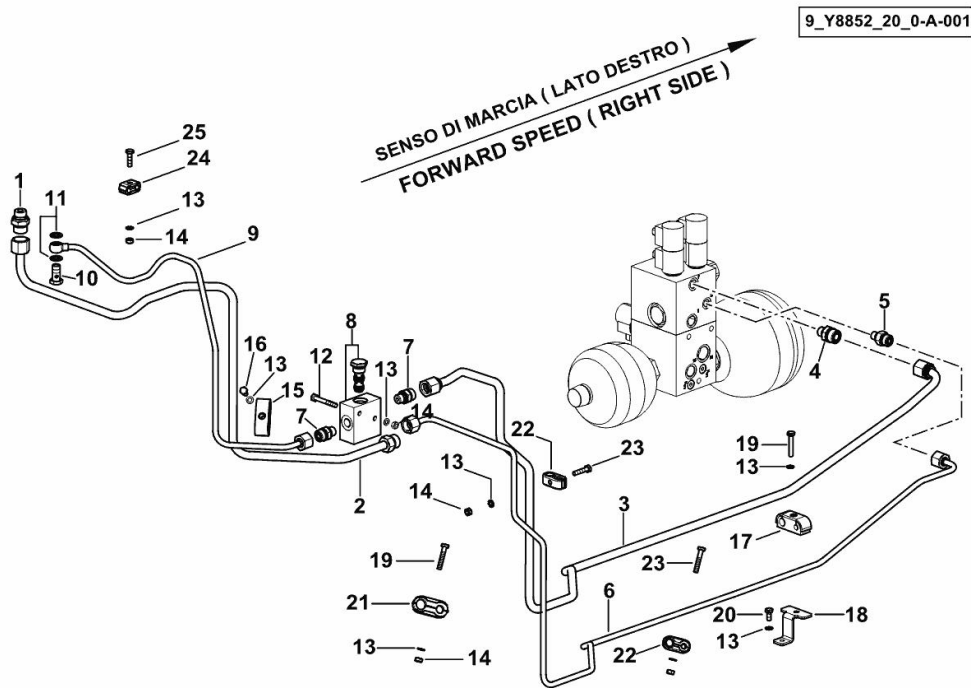


Fig.	P/n	QTY	Name
------	-----	-----	------

Notes:

- 90 LT [Nitro 120 T4i Hi-Profile -> ZKDY8602W0TL10001]

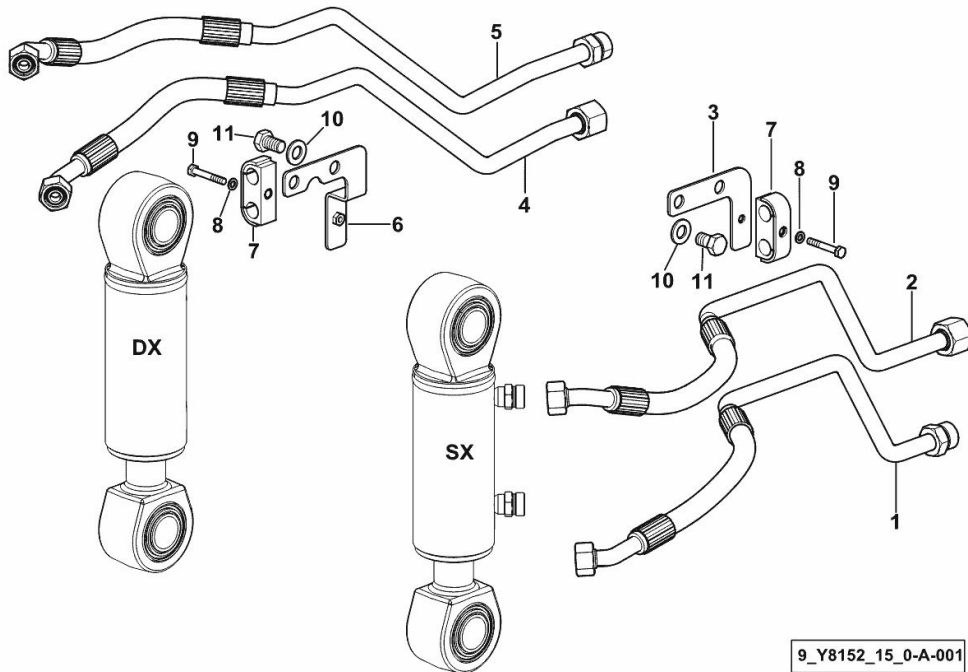
1	2.3272.009.0	1	pipe fitting m 18/12
2	0.019.6005.3	1	tube
3	0.019.6006.3/10	1	tube
4	2.3249.313.2	1	pipe fitting m 14 p.1.5-13/16
5	2.3272.005.0	1	pipe fitting m 12
6	0.019.6003.3/10	1	tube
7	2.3272.006.0	2	pipe fitting m 14 p.1.5
8	0.015.5984.4	1	small block
9	0.019.6001.3	1	tube
10	2.3335.005.2	1	pipe union m 12 p.1.5 x 24
11	2.1560.008.0	2	gasket 12.2 x 18
12	2.0112.017.2	2	screw m 6 p.1x45
13	2.1470.002.2	9	lock washer 6
14	2.1011.103.2	6	nut m 6 p.1
15	2.3320.204.0	2	collar Ø 8/12
16	2.0112.011.2	2	screw m 6 p.1x30
17	2.3320.304.0	1	terminal Ø 8/12
18	0.020.0488.3	1	bracket
19	2.0112.013.2	2	screw m 6 p.1 x 35
20	2.0112.004.2	1	screw m 6 p.1 x 14
21	2.3321.012.0	1	collar Ø 12/16
22	04454482	2	fascia
23	2.0112.010.2	2	screw m 6 p.1x30
24	2.3321.003.0	1	collar Ø 8/8
25	2.0112.008.2	1	screw m 6 p.1x22

FRONT CARRIER SUSPENSION SYSTEM

Fig.	P/n	QTY	Name
------	-----	-----	------

Notes:

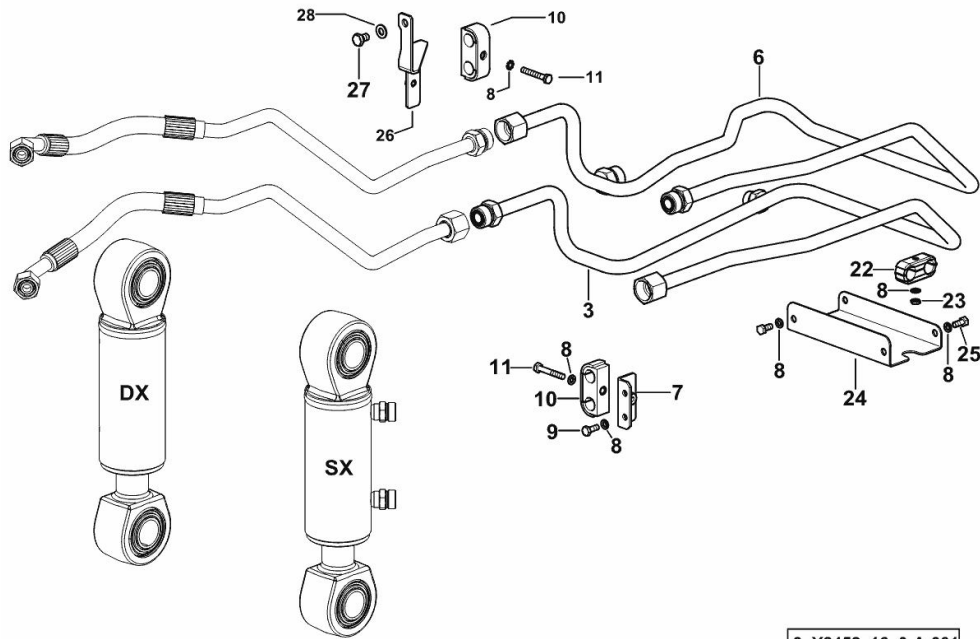
[Nitro 120 T4i Hi-Profile -> ZKDY8602W0TL10001]



1	0.019.6097.3/10	1	tube sx/lh/li
2	0.019.6099.3/10	1	tube sx/lh/li
3	0.019.6104.3	1	bracket sx/lh/li
4	0.019.6100.3/10	1	tube dx/rh/re
5	0.019.6102.3/10	1	tube dx/rh/re
6	0.019.6103.3	1	bracket dx/rh/re
7	2.3320.316.0	2	terminal Ø 16/16 -B-
8	2.1470.002.2	2	lock washer 6
9	2.0112.015.2	2	screw m 6 p.1x40
10	2.1310.007.2	4	flat washer 13 x 24
11	2.0112.407.2	4	screw m 12 p.1.75 x 20

9_Y8152_15_0-A-001

FRONT CARRIER SUSPENSION SYSTEM



9_Y8452_16_0-A-001

Fig.	P/n	QTY	Name
------	-----	-----	------

Notes:

[Nitro 120 T4i Hi-Profile -> ZKDY8602W0TL10001]

3	0.019.6090.3	1	tube
6	0.019.6089.3	1	tube
7	0.019.6094.3	1	bracket
8	2.1470.002.2	10	lock washer 6
9	2.0112.005.2	2	screw m 6 p.1 x 16
10	2.3320.316.0	2	terminal Ø 16/16 -B-
11	2.0112.015.2	3	screw m 6 p.1x40
22	2.3321.020.0	1	collar Ø 16/16
23	2.1011.203.2	1	nut m 6 p.1
24	0.019.6149.0	1	guard
25	2.0112.004.2	4	screw m 6 p.1 x 14
26	0.019.8485.3	1	bracket
27	2.0112.203.2	1	screw m 8 p.1.25 x 12
28	2.1310.004.2	1	flat washer 8.4x17

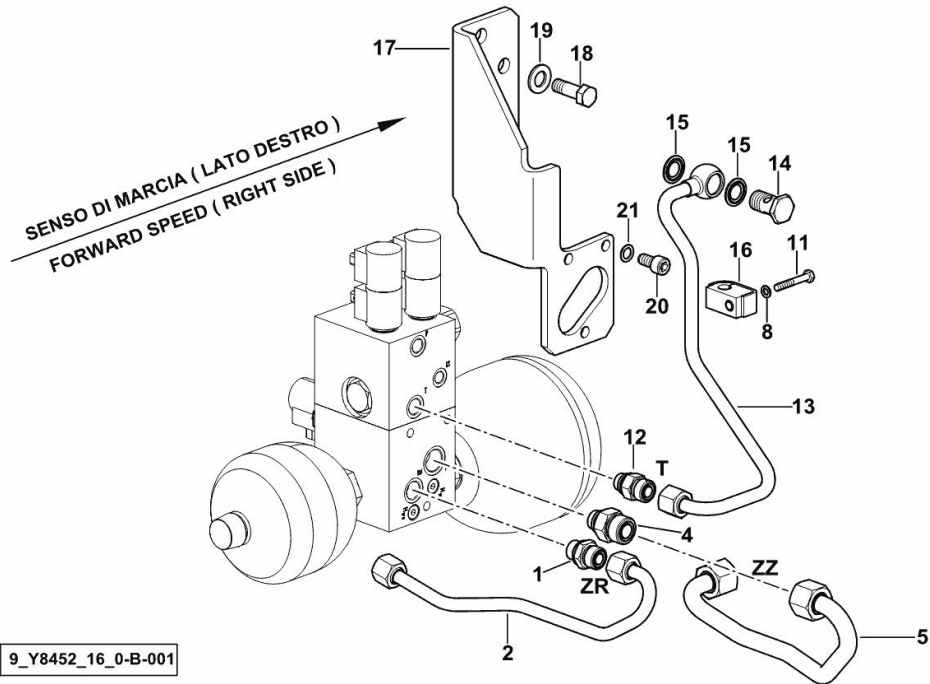
FRONT CARRIER SUSPENSION SYSTEM

Fig.	P/n	QTY	Name
------	-----	-----	------

Notes:

[Nitro 120 T4i Hi-Profile -> ZKDY8602W0TL10001]

1	2.3272.009.0	1	pipe fitting m 18/12
2	0.019.6087.3	1	tube
4	2.3272.012.0	1	pipe fitting m 22 p.1.5
5	0.019.6091.3/10	1	tube
8	2.1470.002.2	10	lock washer 6
11	2.0112.015.2	3	screw m 6 p.1x40
12	2.3272.008.0	1	pipe fitting m 16/12
13	0.019.6093.3	1	tube
14	2.3335.008.2	1	pipe union m 18 p.1.5 x 32
15	2.1561.110.0	2	oil seal Ø 18 -B-
16	2.3320.105.0	1	collar Ø 12 -B-
17	0.019.6092.0	1	bracket
18	2.0112.413.2	2	screw m 12 p.1.75x35
19	2.1475.005.2	2	washer 14
20	2.0312.306.2	3	screw m 10 p.1.5 x 20
21	2.1480.015.2	3	washer 10



Buy Now



Our support email:

ebooklibonline@outlook.com