

Nitro 130 T4i Hi-Profile

Section: H0 - HYDRAULIC AND PNEUMATIC SYSTEM|

Ref: H0.01.43 (1)

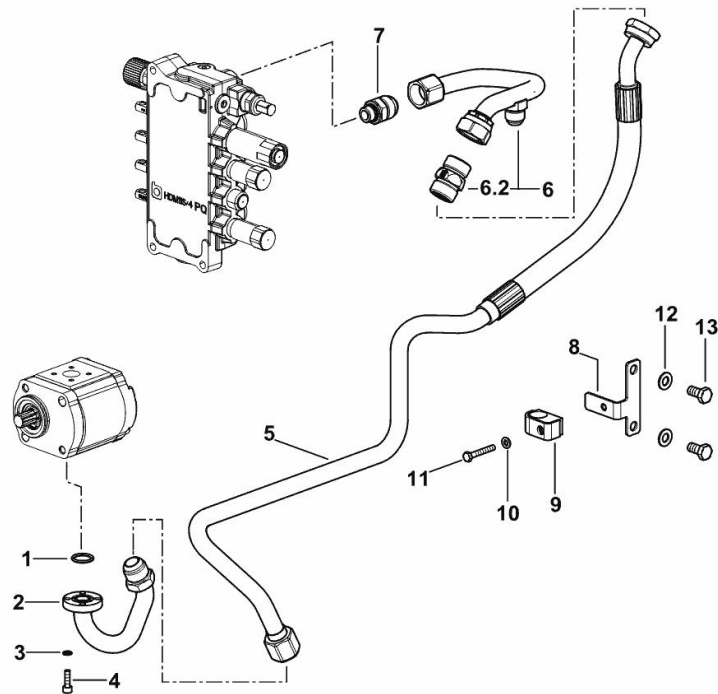
**HYDRAULIC PUMP SYSTEM WITH 8-WAY REMOTE VALVE**

Fig.	P/n	QTY	Name
------	-----	-----	------

**Notes:**

- WITHOUT HYDRAULIC BRAKING FOR TRAILER - WITH OIL FLOW REGULATOR - 60LT ECO [Nitro 130 T4i Hi-Profile]

1	2.1531.052.0	1	oil seal 20.29 x 2.62
2	0.015.1442.3	1	tube
3	2.1480.012.2	4	washer 6, d128
4	2.0312.106.2	4	screw m 6 p.1 x 20
5	0.019.5273.3	1	tube
6	0.019.5221.4	1	tube
6.2	2.3729.034.0	1	valve
7	2.3249.148.2	1	pipe fitting m 18 - 1/16" JIC
8	0.019.3875.3	1	bracket
9	2.3320.111.0	1	terminal Ø 20
10	2.1310.002.2	1	flat washer 6.4x12.5
11	2.0112.015.2	1	screw m 6 p.1x40
12	2.1310.006.2	2	flat washer 10.5x21
13	2.0112.307.2	2	screw m 10 p.1.5 x 20



9\_Y8282\_48\_0-A-001

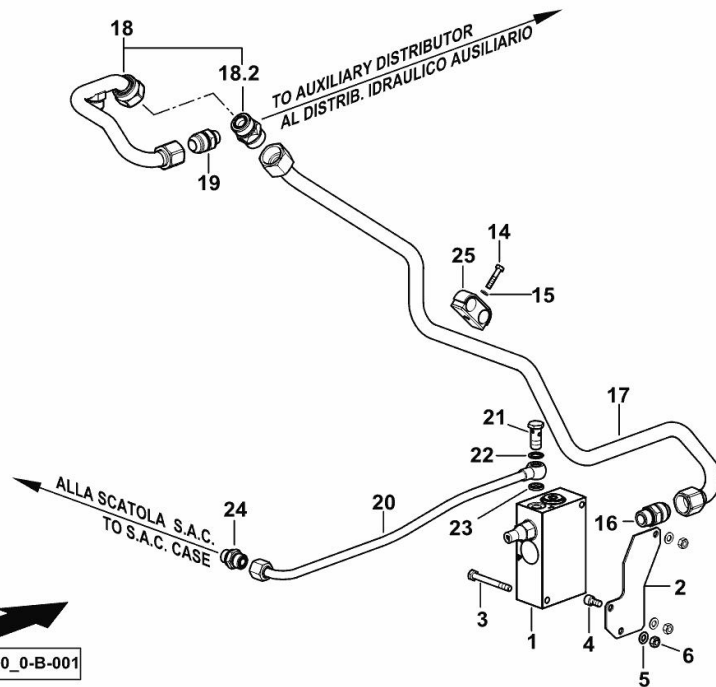
**HYDRAULIC SYSTEM**

Fig.	P/n	QTY	Name
------	-----	-----	------

**Notes:**

- 60 LT ECO [Nitro 130 T4i Hi-Profile]

1	04453271/10	1	valve
2	0.019.5991.0	1	bracket
3	2.0112.223.2	2	screw m 8 p.1.25x70
4	2.0312.204.2	1	screw m 8 p.1.25 x 16
5	2.1475.002.2	3	conical washer 8
6	2.1011.105.2	3	nut m 8 p.1.25
14	2.0112.011.2	2	screw m 6 p.1x30
15	2.1470.002.2	6	lock washer 6
16	2.3249.158.2	1	pipe fitting
17	0.019.5996.3	1	tube
18	0.019.5221.4	1	tube
18.2	2.3729.034.0	1	valve
19	2.3249.148.2	1	pipe fitting m 18 - 1/16" JIC
20	0.019.6240.3	1	tube
21	2.3335.053.2	1	pipe union m 14 p.1.5x32
22	2.1560.010.0	1	gasket 14.2 x 20
23	2.1569.171.0	1	gasket 14.2 x 20 x 3
24	2.3272.009.0	1	pipe fitting m 18/12
25	2.3320.221.0	1	terminal Ø 20/20



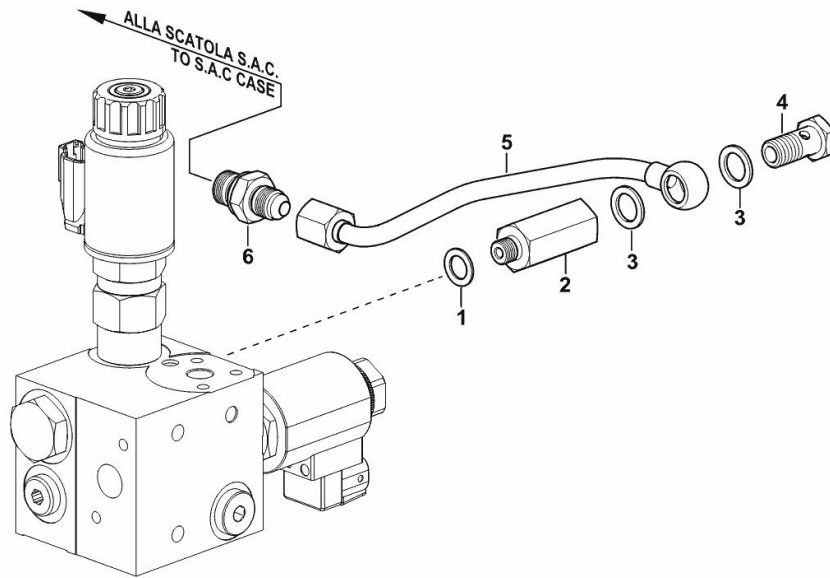
**HYDRAULIC SYSTEM PARTS KIT lt. 60 ECO**

Fig.	P/n	QTY	Name
------	-----	-----	------

**Notes:**

- FOR TYPES WITH 8-WAY REMOTE VALVE WITH FLOW CONTROL [Nitro 130 T4i Hi-Profile]

1	2.1560.006.0	1	gasket 10.2 x 16
2	0.020.2813.3	1	valve
3	2.1560.008.0	2	gasket 12.2 x 18
4	2.3335.005.2	1	pipe union m 12 p.1.5 x 24
5	0.020.2802.3	1	tube
6	2.3249.156.2	1	pipe fitting M/M 1/2 JIC-M14x1.5



9\_Y8182\_66\_0-A-001

Nitro 130 T4i Hi-Profile

Section: H0 - HYDRAULIC AND PNEUMATIC SYSTEM|

Ref: H0.01.47 (1)

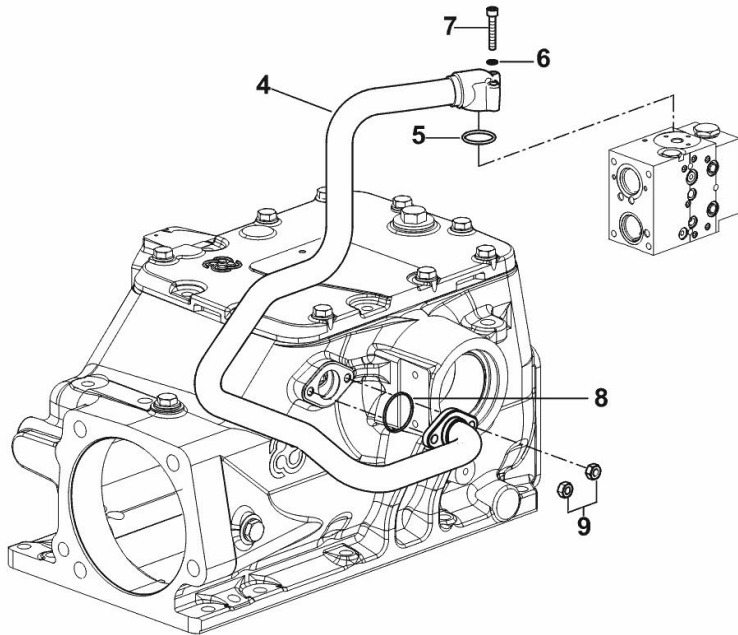
**PIPE FROM AUXILIARY CONTROL VALVE TO ELECTRONIC ACS**

Fig.	P/n	QTY	Name
------	-----	-----	------

**Notes:**

- FOR TYPES W/O POWER BEYOND [Nitro 130 T4i Hi-Profile]

4	0.017.8167.3/10	1	tube
5	2.1532.071.0	1	oil seal 26.64x2.62
6	2.1480.012.2	3	washer 6, d128
7	2.0312.112.2	3	screw m 6 p.1 x 35
8	2.1532.092.0	1	ring 34.65x1.78
9	2.1011.405.2	2	nut m 8 p.1



9\_Y8188\_86\_0-A-001

**Nitro 130 T4i Hi-Profile**

Section: H0 - HYDRAULIC AND PNEUMATIC SYSTEM]

Ref: H0.01.48 (1)

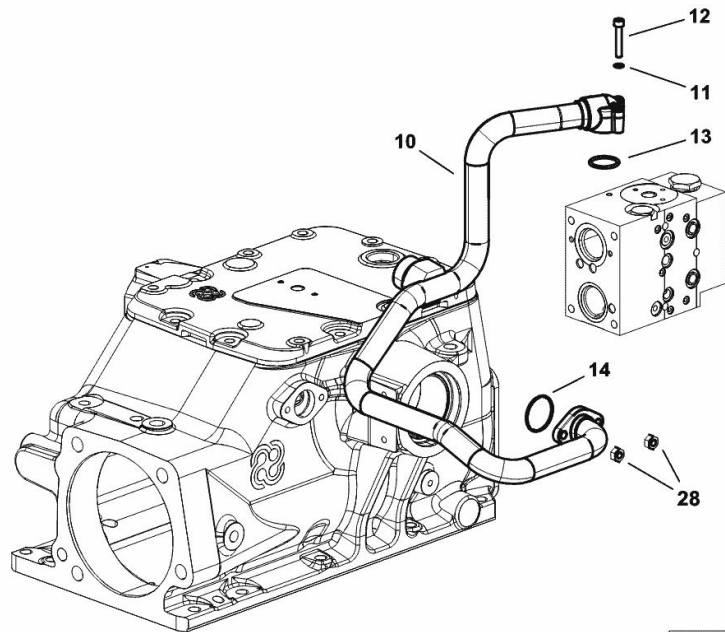
**PIPE FROM AUXILIARY CONTROL VALVE TO ELECTRONIC ACS - POWERBEYOND**

Fig.	P/n	QTY	Name
------	-----	-----	------

**Notes:**

- FOR TYPES WITH FRONT LOADER [Nitro 130 T4i Hi-Profile]

10	0.017.9011.3	1	tube
11	2.1480.012.2	3	washer 6, d128
12	2.0312.112.2	3	screw m 6 p.1 x 35
13	2.1532.071.0	1	oil seal 26.64x2.62
14	2.1532.092.0	1	ring 34.65x1.78
28	2.1011.405.2	2	nut m 8 p.1



9\_AH788\_85\_0-A-001

Nitro 130 T4i Hi-Profile

Section: H0 - HYDRAULIC AND PNEUMATIC SYSTEM]

Ref: H0.01.49 (1)

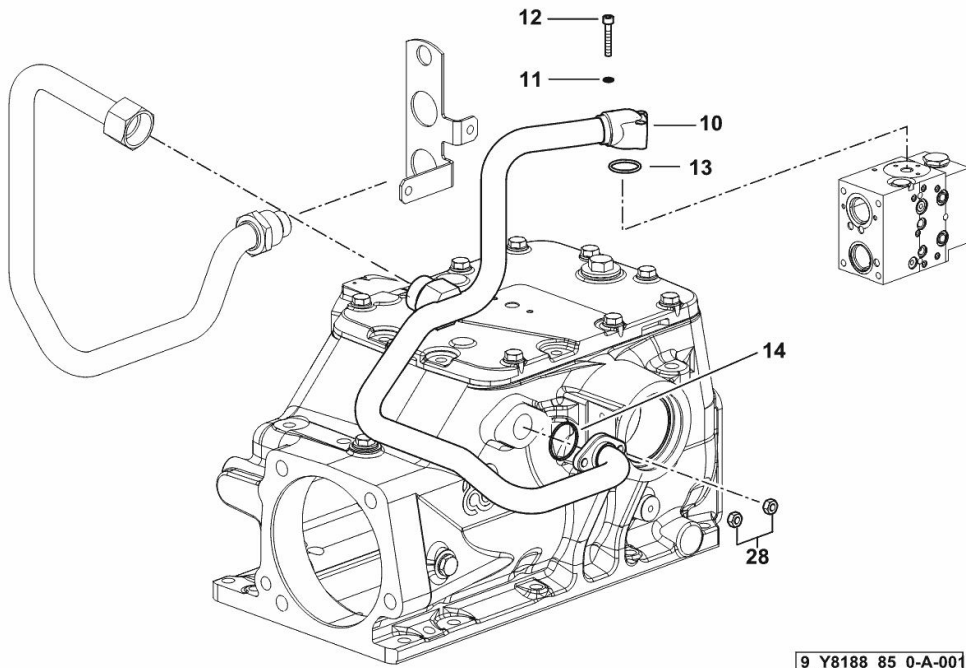
**PIPE FROM AUXILIARY CONTROL VALVE TO ELECTRONIC ACS - POWERBEYOND**

Fig.	P/n	QTY	Name
------	-----	-----	------

**Notes:**

[Nitro 130 T4i Hi-Profile]

10	0.017.9011.3	1	tube
11	2.1480.012.2	3	washer 6, d128
12	2.0312.112.2	3	screw m 6 p.1 x 35
13	2.1532.071.0	1	oil seal 26.64x2.62
14	2.1532.092.0	1	ring 34.65x1.78
28	2.1011.405.2	2	nut m 8 p.1



9\_Y8188\_85\_0-A-001

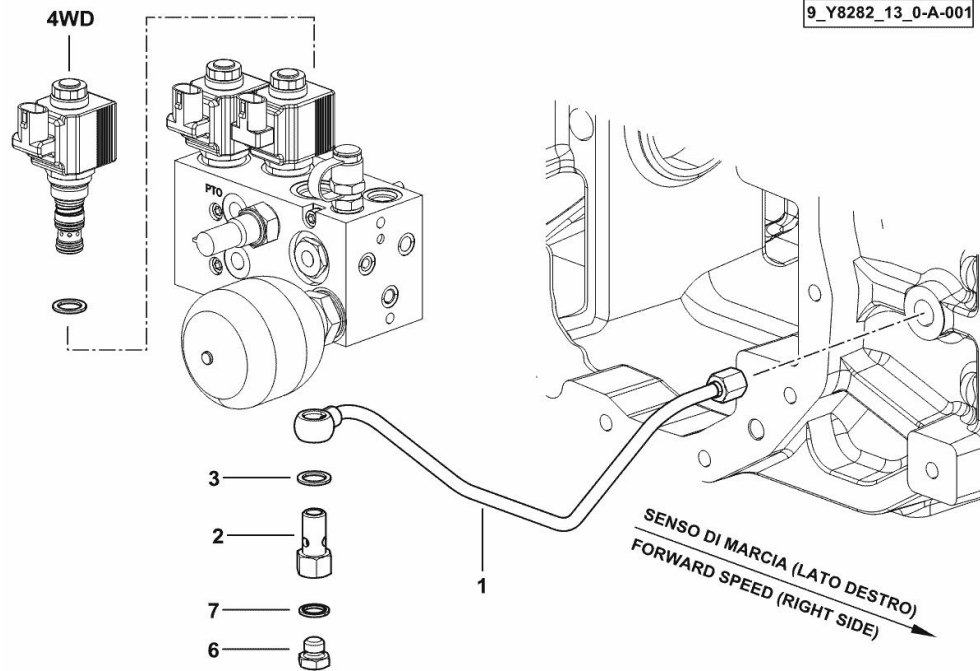
**HYDRAULIC SYSTEM PARTS KIT - 4WD**

Fig.	P/n	QTY	Name
------	-----	-----	------

**Notes:**

- FOR TYPES WITH SBA / ASM [Nitro 130 T4i Hi-Profile]

1	0.019.1152.3	1	tube
2	2.3339.860.2/20	1	pipe union m 14 p.1.5
3	2.1560.010.0	2	gasket 14.2 x 20
6	2.3110.402.2	1	plug m 12 p.1.5
7	2.1561.006.0	1	oil seal 12



**Buy Now**



Our support email:

[ebooklibonline@outlook.com](mailto:ebooklibonline@outlook.com)