

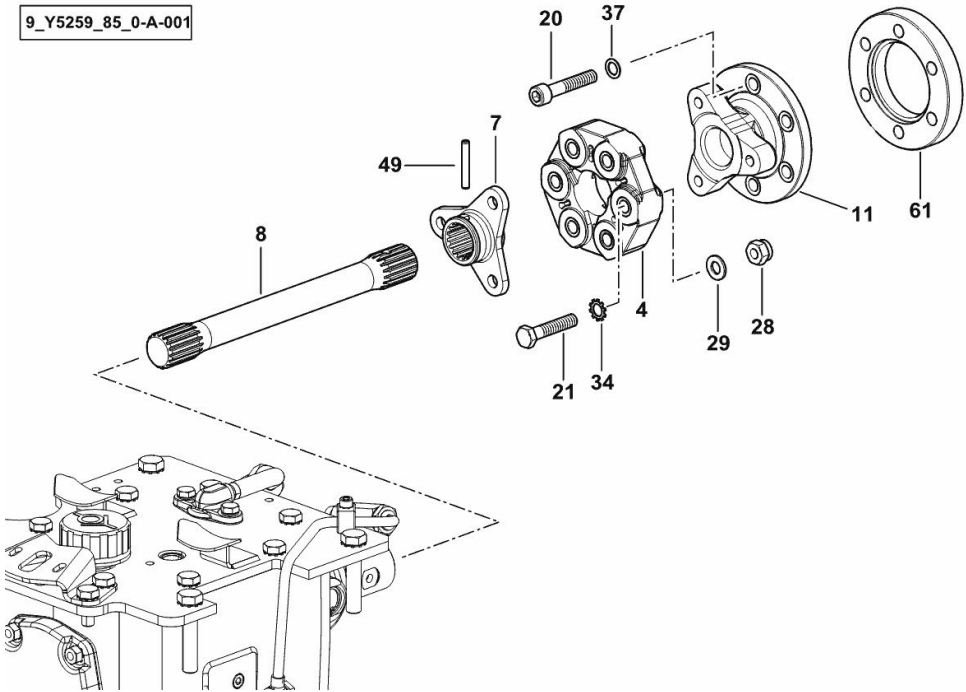
PTO INPUT SHAFT

| Fig. | P/n | QTY | Name |
|------|-----|-----|------|
|------|-----|-----|------|

Notes:
 [Nitro R 100 T4i -> ZKDY460200TL10001]

| | | | |
|----|-----------------|----|-----------------------|
| 4 | 0.008.8341.0/10 | 1 | flex coupling |
| 7 | 0.009.1758.0/40 | 1 | flange |
| 8 | 0.018.6495.0 | 1 | power take-off shaft |
| 11 | 0.019.2206.0 | 1 | flange |
| 20 | 2.0312.317.2 | 6 | screw m 10 x 55 |
| 21 | 2.0112.319.2 | 6 | screw m 10 p.1.5 x 50 |
| 28 | 2.1120.006.2 | 3 | nut m 10 p.1.5 |
| 29 | 2.1310.006.2 | 3 | flat washer 10.5x21 |
| 34 | 2.1470.006.2 | 16 | lock washer 10 |
| 37 | 2.1480.015.2 | 6 | washer 10 |
| 49 | 2.1630.615.0 | 1 | roll pin 6x40 |
| 61 | 0.019.2387.0 | 1 | spacer |

9_Y5259_85_0-A-001



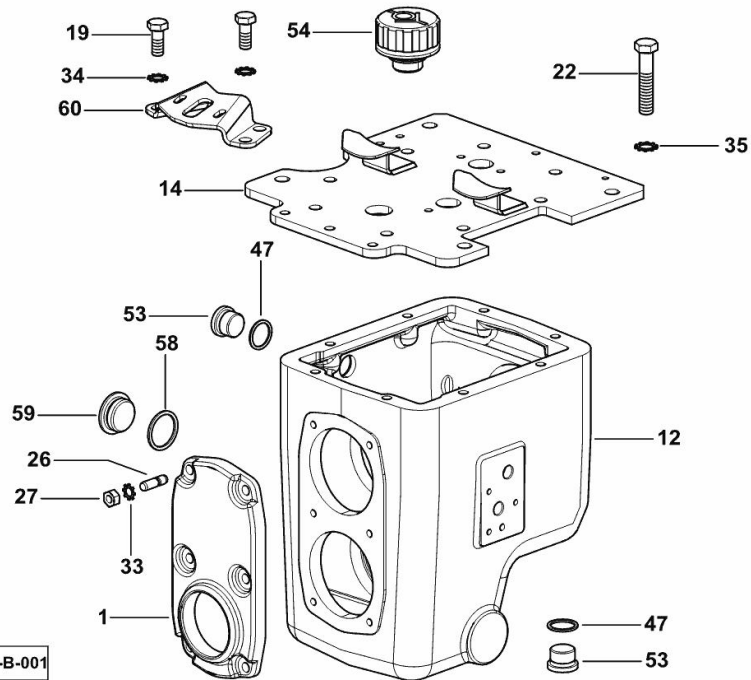
FRONT PTO CASING

| Fig. | P/n | QTY | Name |
|------|-----|-----|------|
|------|-----|-----|------|

Notes:

[Nitro R 100 T4i -> ZKDY460200TL10001]

| | | | |
|----|-----------------|----|----------------------------------|
| 1 | 0.007.5325.0/10 | 1 | cover |
| 12 | 0.017.5992.0/10 | 1 | box |
| 14 | 0.019.0312.3/10 | 1 | cover |
| 19 | 2.0112.309.2 | 10 | screw m 10 p.1.5 x 25 |
| 22 | 2.0112.421.2 | 4 | screw m 12 p.1.75 x 60 |
| 26 | 2.0432.001.7 | 6 | stud bolt m 8 p.1.25 - 1.00 x 16 |
| 27 | 2.1011.405.2 | 6 | nut m 8 p.1 |
| 33 | 2.1470.004.2 | 6 | lock washer 8 |
| 34 | 2.1470.006.2 | 16 | lock washer 10 |
| 35 | 2.1470.007.2 | 4 | lock washer 12 |
| 47 | 2.1560.017.0 | 2 | gasket 22.2 x 27 |
| 53 | 2.3120.002.4 | 2 | plug m 22 x 1.5 |
| 54 | 2.3199.344.0 | 1 | plug |
| 58 | 2.1560.023.0 | 1 | copper gasket 30.3 x 36 |
| 59 | 2.3110.425.2 | 1 | plug m 30 |
| 60 | 0.019.1504.0 | 1 | support |



9_Y5259_85_0-B-001

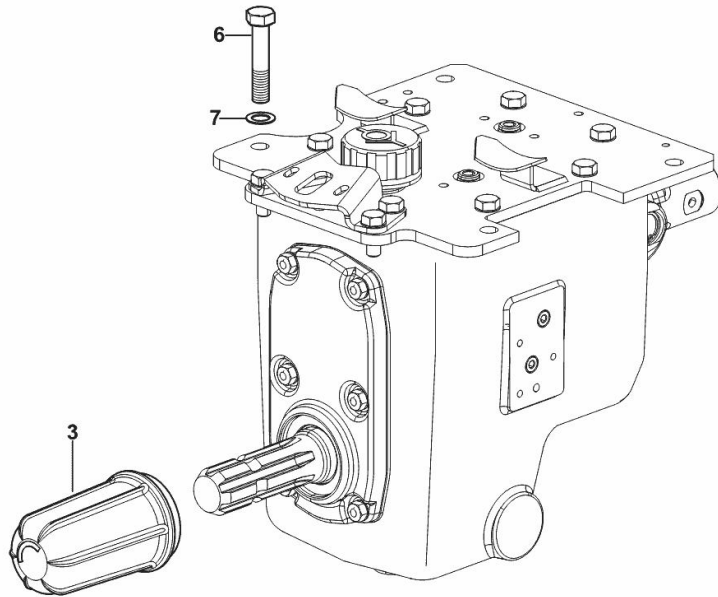
FRONT PTO PACKAGE

| Fig. | P/n | QTY | Name |
|------|-----|-----|------|
|------|-----|-----|------|

Notes:

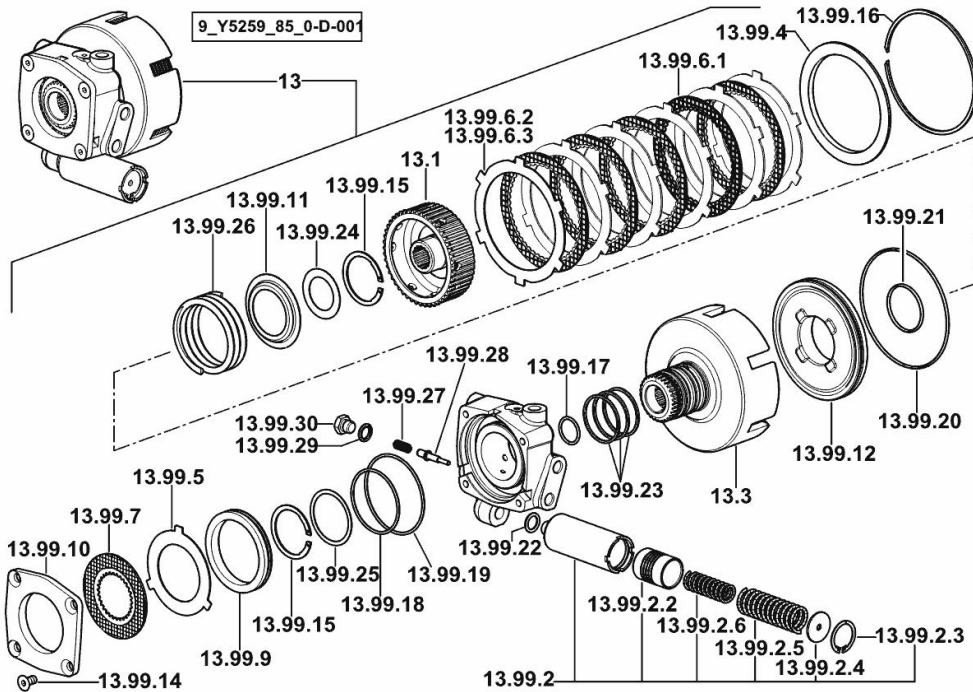
[Nitro R 100 T4i -> ZKDY460200TL10001]

| | | | |
|---|-----------------|---|------------------------|
| 3 | 0.154.3655.0/10 | 1 | guard |
| 6 | 2.0112.421.2 | 4 | screw m 12 p.1.75 x 60 |
| 7 | 2.1470.007.2 | 4 | lock washer 12 |



9_Y7259_86_0-A-001

P.T.O. FRONT



Notes:

[Nitro R 100 T4i -> ZKDY460200TL10001]

| Fig. | P/n | QTY | Name |
|-----------|-----------------|-----|---------------------------------|
| 13 | 0.018.9244.4 | 1 | hydraulic PTO clutch |
| 13.1 | 0.008.8806.0/20 | 1 | hub |
| 13.3 | 0.011.9892.0/10 | 1 | body |
| 13.99.2 | 0.010.0526.4/10 | 1 | accumulator P.T.O. |
| 13.99.2.2 | 0.010.0525.0 | 1 | piston |
| 13.99.2.3 | 2.1411.013.7 | 1 | circlip Ø 32 |
| 13.99.2.4 | 2.1599.241.0 | 1 | shoulder ring |
| 13.99.2.5 | 2.4019.636.1 | 1 | spring 20.8 x 27.2 x 3.2 x 86.5 |
| 13.99.2.6 | 2.4019.638.1 | 1 | spring 14.2 x 19.4 x 2.6 x 58 |
| 13.99.4 | 0.011.9895.0 | 1 | disc |
| 13.99.5 | 0.013.8983.0 | 1 | disc mm 1.5 |
| 13.99.6.1 | 0.016.9060.2 | 5 | clutch plate |
| 13.99.6.2 | 0.017.9828.0 | 3 | disc mm 1.55 |
| 13.99.6.3 | 0.013.9453.0 | 3 | disc mm 1.75 |
| 13.99.7 | 0.014.0360.2 | 1 | brake disc |
| 13.99.9 | 0.255.3922.0/40 | 1 | piston D 84 |
| 13.99.10 | 0.255.3926.0/10 | 1 | cover |
| 13.99.11 | 0.255.3933.0 | 1 | disc |
| 13.99.12 | 0.255.3938.0/40 | 1 | piston |
| 13.99.14 | 2.0342.303.6 | 4 | screw m 8 p. 1.25x16 |
| 13.99.15 | 2.1419.027.1 | 2 | circlip 48 |
| 13.99.16 | 2.1423.127.7 | 1 | circlip 127 |
| 13.99.17 | 2.1530.062.0 | 1 | oil seal 23.81 x 2.62 |
| 13.99.18 | 2.1532.150.0 | 1 | oil seal 61.60x2.62 |
| 13.99.19 | 2.1532.505.0 | 1 | oil seal 77.50 x 2.62 |
| 13.99.20 | 2.1539.064.0 | 1 | special oil seal 120.33x2.62 |
| 13.99.21 | 2.1539.067.0 | 1 | special oil seal 44.12x2.72 |
| 13.99.22 | 2.1560.010.0 | 1 | gasket 14.2 x 20 |
| 13.99.23 | 2.1569.109.0/10 | 3 | gasket 46 x 50 x 2.0 |
| 13.99.24 | 2.1599.415.0 | 1 | shoulder ring 35x52x1 |
| 13.99.25 | 2.1599.416.0 | 1 | shoulder ring 50x58x1 |
| 13.99.26 | 2.4019.373.1 | 1 | spring 79.5x61.5x6.5 |
| 13.99.27 | 0.017.6983.0 | 1 | slider |
| 13.99.28 | 2.4019.496.1/10 | 1 | spring 7.6X9.2X0.8X39 |
| 13.99.29 | 2.1561.006.0 | 1 | oil seal 12 |
| 13.99.30 | 2.3110.422.2 | 1 | plug m 12 p.1.25 |

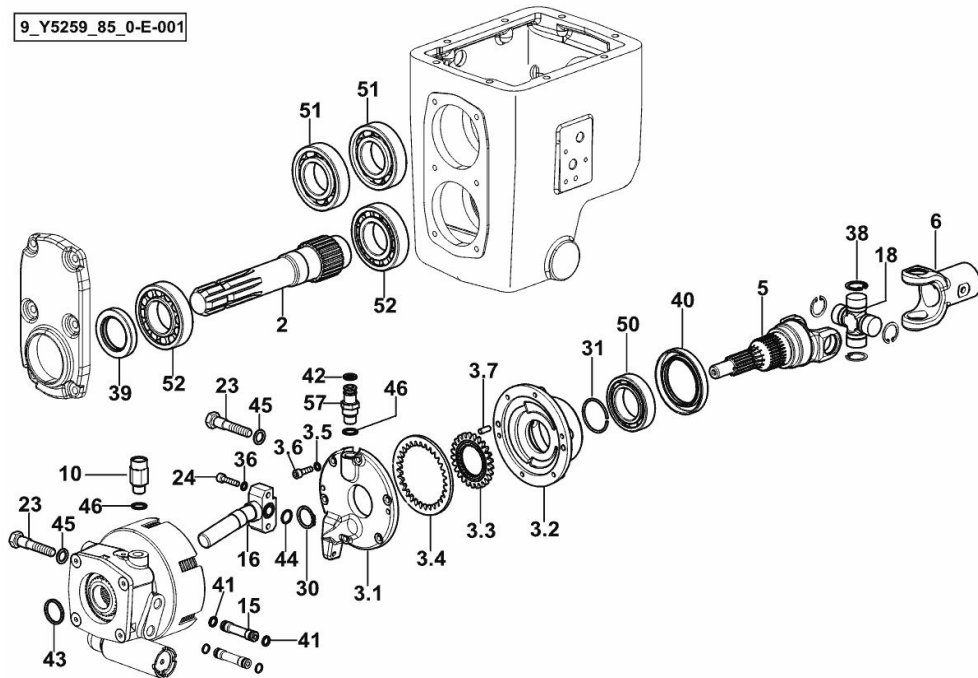
P.T.O. FRONT

| Fig. | P/n | QTY | Name |
|------|-----|-----|------|
|------|-----|-----|------|

Notes:

[Nitro R 100 T4i -> ZKDY460200TL10001]

9_Y5259_85_0-E-001



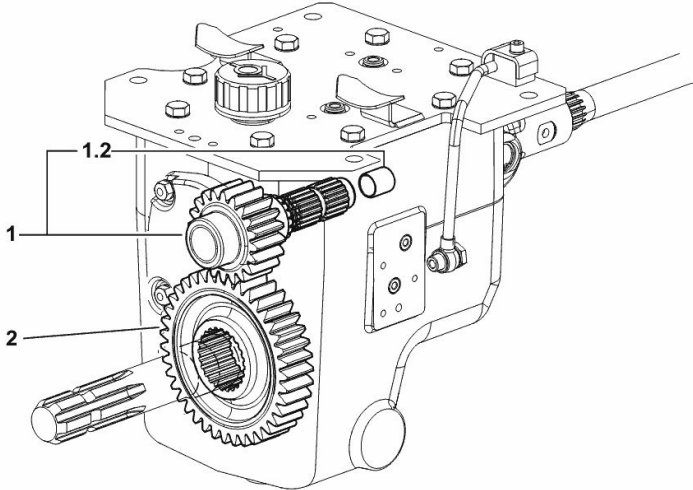
| | | | |
|-----|-----------------|---|-----------------------------|
| 2 | 0.007.5328.0/20 | 1 | power take-off shaft |
| 3.1 | 0.008.2669.0/20 | 1 | cover |
| 3.2 | 0.008.1361.0/10 | 1 | pump casing |
| 3.3 | 0.008.1363.0/10 | 1 | pinion z = 25 z = 30 |
| 3.4 | 0.008.1362.0/10 | 1 | crown wheel Z = 31 |
| 3.5 | 2.1480.012.2 | 6 | washer 6, d128 |
| 3.6 | 2.0312.106.2 | 6 | screw m 6 p.1 x 20 |
| 3.7 | 2.1651.507.0 | 2 | pin 6 x 16 |
| 5 | 0.008.8346.0/30 | 1 | shaft |
| 6 | 0.009.1757.0/10 | 1 | sleeve |
| 10 | 2.3249.747.0 | 1 | pipe fitting |
| 15 | 0.017.6860.0 | 2 | tube |
| 16 | 0.017.6867.3 | 1 | tube |
| 18 | 0.146.4632.4/10 | 1 | universal joint |
| 23 | 2.0119.154.2 | 2 | screw m 12 p.1.75x58 |
| 24 | 2.0312.108.2 | 2 | screw m 6 p.1 x 25 |
| 30 | 2.1410.009.1 | 1 | circlip 24 |
| 31 | 2.1420.016.0 | 1 | circlip a 40 |
| 36 | 2.1480.012.2 | 2 | washer 6, d128 |
| 38 | 2.1499.012.1/10 | 4 | circlip Ø 24 |
| 39 | 2.1520.220.0 | 1 | oil seal 40x60x10 |
| 40 | 2.1520.229.0 | 1 | oil seal |
| 41 | 2.1530.019.0 | 4 | oil seal 9.25x1.78 |
| 42 | 2.1530.024.0 | 1 | oil seal 10.78 x 2.62 |
| 43 | 2.1530.062.0 | 1 | oil seal 23.81 x 2.62 |
| 44 | 2.1532.035.0 | 1 | oil seal 14x1.78 |
| 45 | 2.1560.008.0 | 2 | gasket 12.2 x 18 |
| 46 | 2.1560.009.0 | 2 | gasket 14.2x18 |
| 50 | 2.2030.009.0 | 1 | ball bearing iso 40 bc 10 |
| 51 | 2.2040.012.0 | 2 | ball bearing iso 40 bc 02 |
| 52 | 2.2423.012.0 | 2 | roller bearing 40 x 80 x 18 |
| 57 | 2.3339.537.2 | 1 | pipe fitting m 14 p.1.5 |

P.T.O. FRONT

| Fig. | P/n | QTY | Name |
|------|-----|-----|------|
|------|-----|-----|------|

Notes:
 [Nitro R 100 T4i -> ZKDY460200TL10001]

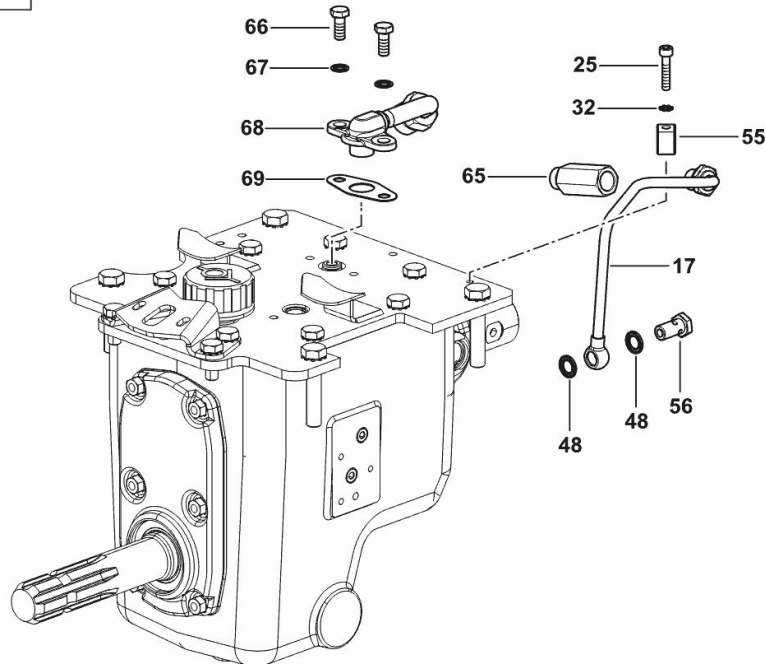
| | | | |
|-----|-----------------|---|----------------------------|
| 1 | 0.018.0002.3 | 1 | shaft Z = 20 |
| 1.2 | 2.1559.023.0/10 | 1 | special bushing 15.8x19x20 |
| 2 | 0.018.0001.0 | 1 | gear Z = 39 |



9_R8959_85_0-A-001

FRONT PTO HYDRAULIC SYSTEM

9_Y5259_85_0-C-001



Notes:

[Nitro R 100 T4i -> ZKDY460200TL10001]

| Fig. | P/n | QTY | Name |
|------|-----------------|-----|------------------------|
| 17 | 0.019.9674.3 | 1 | tube |
| 25 | 2.0312.110.2 | 1 | screw |
| 32 | 2.1470.002.2 | 1 | lock washer 6 |
| 48 | 2.1561.106.0 | 2 | gasket Ø 12 -B- |
| 55 | 01141549 | 1 | terminal d=8 |
| 56 | 2.3339.765.2/10 | 1 | pipe union m 12 p.1x23 |
| 65 | 0.019.9675.3 | 1 | screw |
| 66 | 2.0112.207.2 | 2 | screw m 8 p 1.25 x 20 |
| 67 | 2.1561.003.0 | 2 | washer |
| 68 | 0.019.9677.3 | 1 | tube |
| 69 | 0.052.1558.0/10 | 1 | gasket |

Buy Now



Our support email:

ebooklibonline@outlook.com