

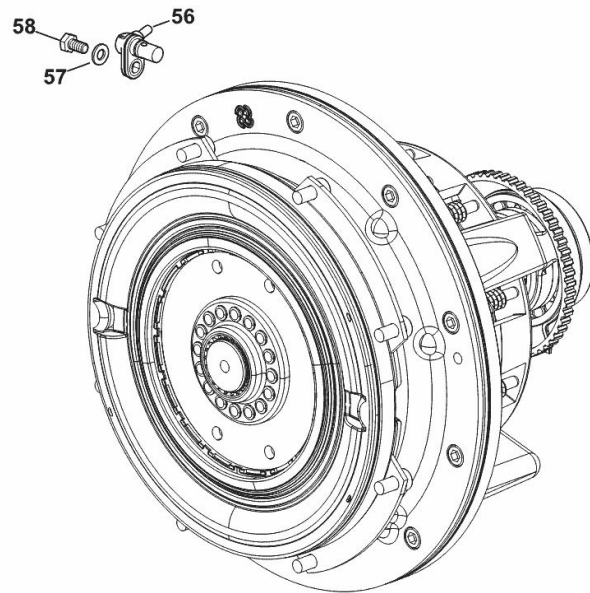
SPEED SENSOR

Fig.	P/n	QTY	Name
------	-----	-----	------

Notes:

[Nitro R 110 T4i -> ZKDY500100TL10001] [Nitro R 110 T4i -> ZKDY500200TL10001]

56	2.7099.999.0	1	speed sensor
57	2.1310.002.2	1	flat washer 6.4x12.5
58	2.0112.003.2	1	screw m 6 p.1 x 12



9_H1532_00_0-D-001

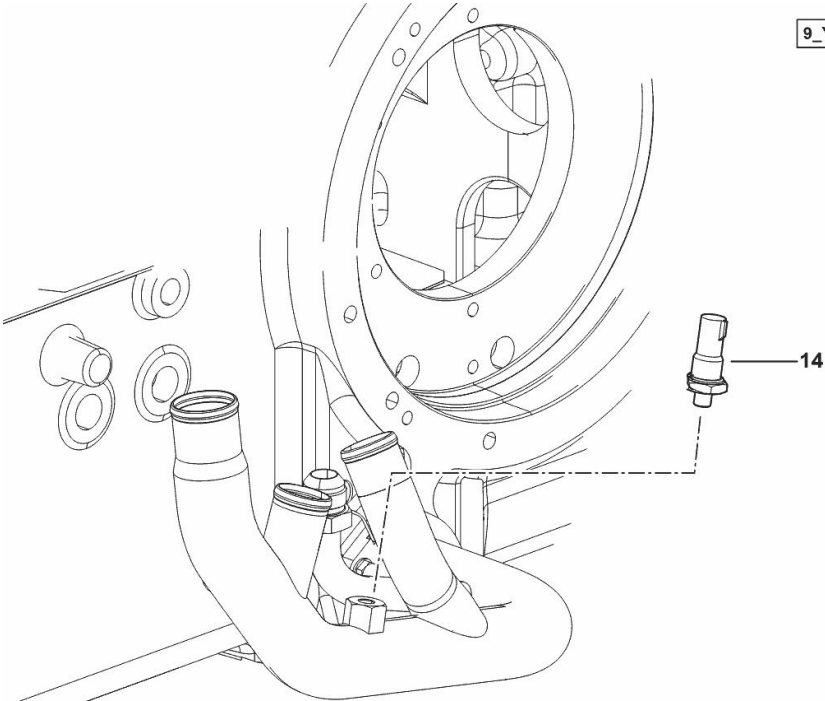
HYDRAULIC SYSTEM SUCTION PRESSURE SWITCH

Fig.	P/n	QTY	Name
------	-----	-----	------

Notes:
 - FOR TYPES WITH 6-WAY REMOTE SPOOL VALVE WITH FLOW REGULATOR [Nitro R 110 T4i -> ZKDY500100TL10001] - FOR TYPES WITH 6-WAY REMOTE SPOOL VALVE WITH FLOW REGULATOR [Nitro R 110 T4i -> ZKDY500200TL10001]

14	2.7099.660.0/10	1	pressure switch 0.4/0.5 BAR
----	-----------------	---	-----------------------------

9_Y5682_00_0-B-001

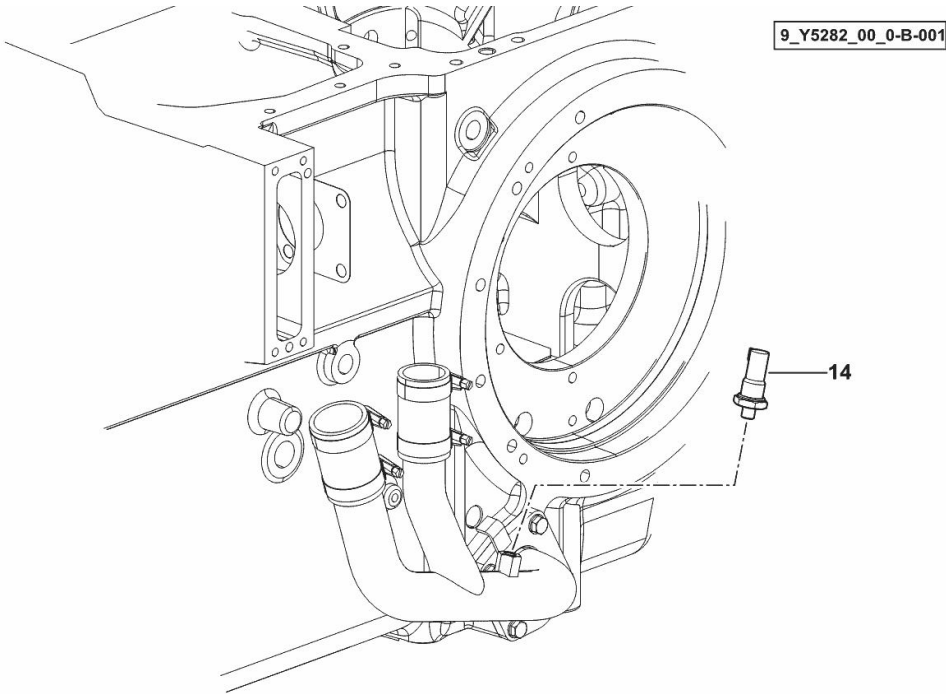


HYDRAULIC SYSTEM SUCTION PRESSURE SWITCH

Fig.	P/n	QTY	Name
------	-----	-----	------

Notes:
[Nitro R 110 T4i -> ZKDY500100TL10001] [Nitro R 110 T4i -> ZKDY500200TL10001]

14	2.7099.660.0/10	1	pressure switch 0.4/0.5 BAR
----	-----------------	---	-----------------------------



Nitro R 110 T4i -> ZKDY500200TL10001

Section: L0 - ELECTRIC AL SYSTEM

Ref: L0.04.12 (1)

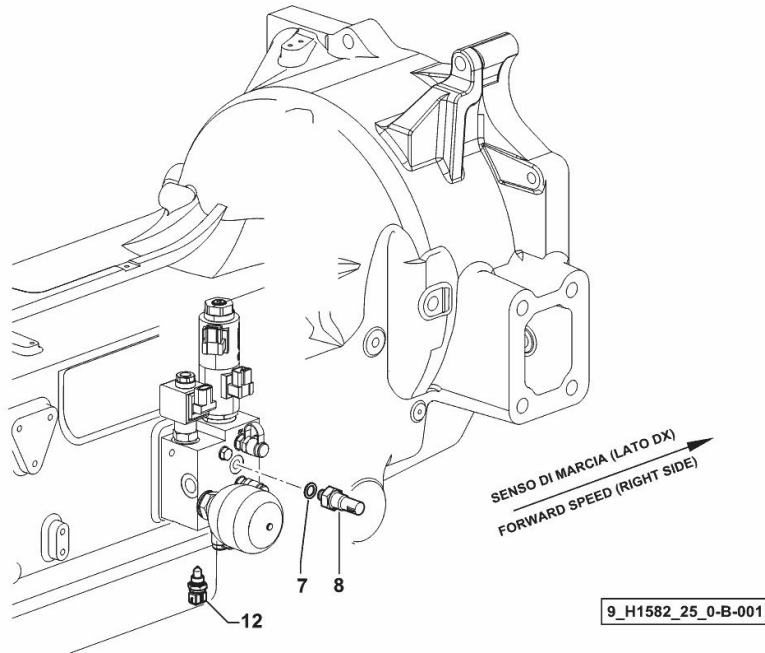
**SHUTTLE CONTROL ASSEMBLY PRESSURE SWITCH / OIL
TEMPERATURE SENSOR**

Fig.	P/n	QTY	Name
------	-----	-----	------

Notes:

[Nitro R 110 T4i -> ZKDY500100TL10001] [Nitro R 110 T4i -> ZKDY500200TL10001]

7	2.1560.008.0	1	gasket 12.2 x 18
8	2.7099.690.0/10	1	pressure switch 4 bar
12	2.7099.800.0	1	temperature gauge



Nitro R 110 T4i -> ZKDY500200TL10001

Section: L0 - ELECTRIC AL SYSTEM

Ref: L0.04.13 (1)

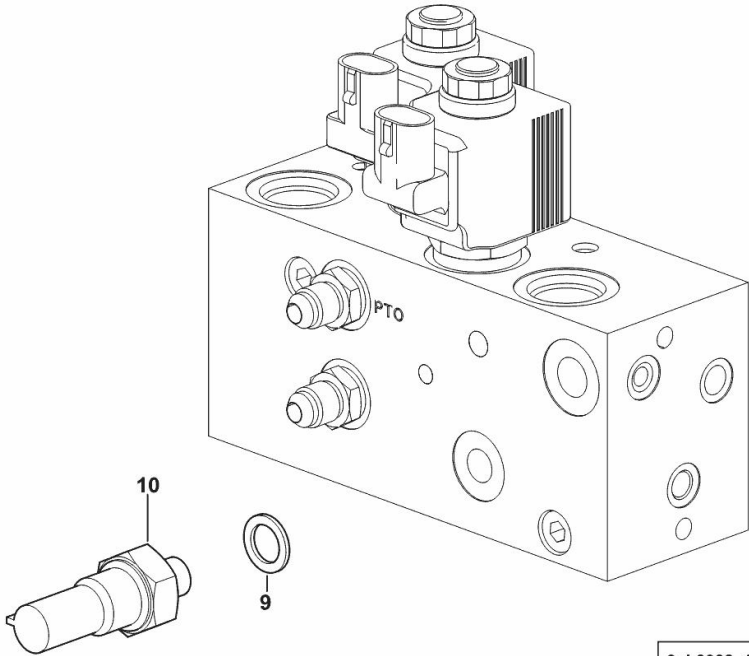
HYDRAULIC SERVICES OIL PRESSURE SWITCH 11 Bar

Fig.	P/n	QTY	Name
------	-----	-----	------

Notes:

[Nitro R 110 T4i -> ZKDY500100TL10001] [Nitro R 110 T4i -> ZKDY500200TL10001]

9	2.1560.008.0	1	gasket 12.2 x 18
10	2.7099.750.0/10	1	pressure switch 11 Bar



9_L8382_15_0-B-001

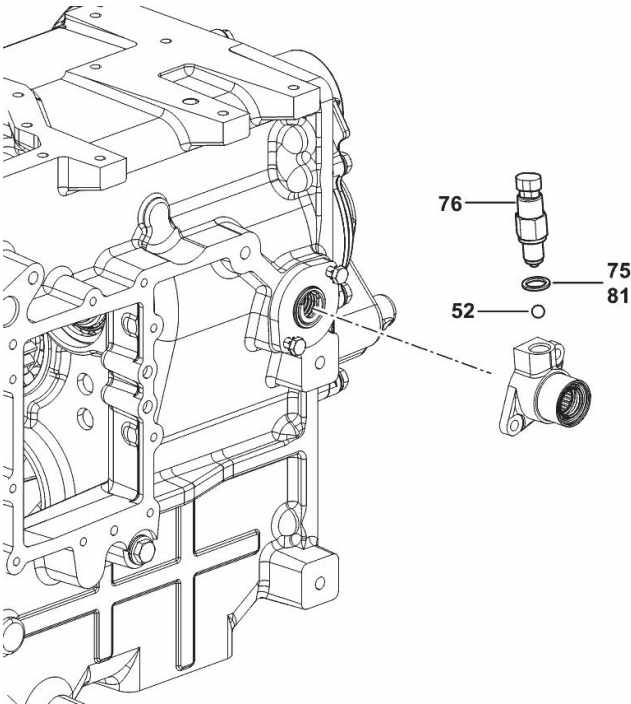
5-SPEED GEARBOX START ENABLE SWITCH

Fig.	P/n	QTY	Name
------	-----	-----	------

Notes:
 [Nitro R 110 T4i -> ZKDY500100TL10001] [Nitro R 110 T4i -> ZKDY500200TL10001]

52	2.2999.156.0	4	ball Ø 10
75	2.1560.012.0	1	gasket 16.2 x 22
76	2.7659.343.0/10	1	switch
81	2.1569.227.0	1	gasket 16.2 x 22 x 2

9_Y5233_00_0-G-001

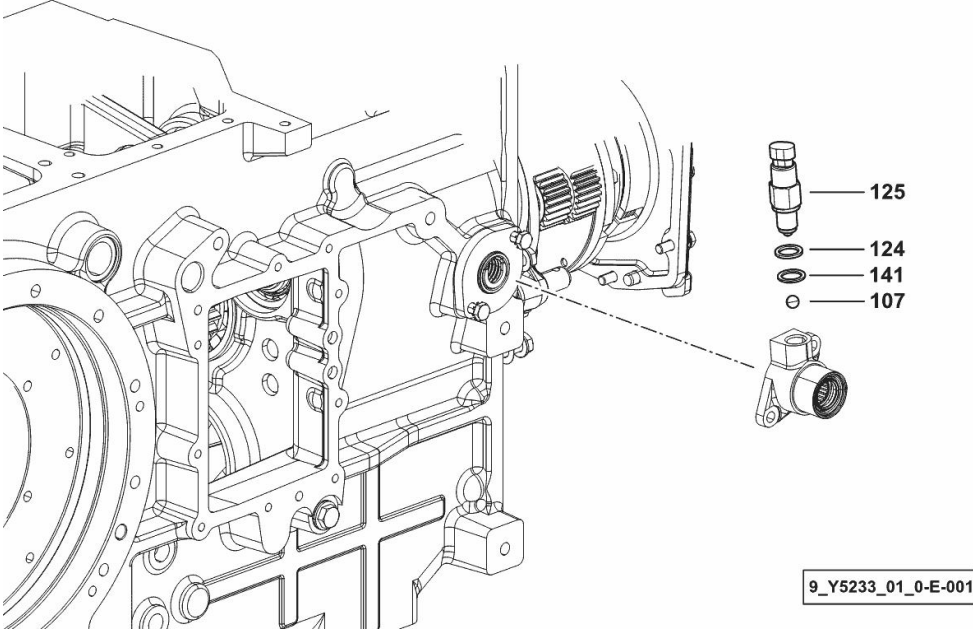


5-SPEED GEARBOX START ENABLE SWITCH HI-LO

Fig.	P/n	QTY	Name
------	-----	-----	------

Notes:
 [Nitro R 110 T4i -> ZKDY500100TL10001] [Nitro R 110 T4i -> ZKDY500200TL10001]

107	2.2999.156.0	4	ball Ø 10
124	2.1560.012.0	1	gasket 16.2 x 22
125	2.7659.343.0/10	1	switch
141	2.1569.227.0	1	gasket 16.2 x 22 x 2



Buy Now



Our support email:

ebooklibonline@outlook.com