

S.A.C. CASE

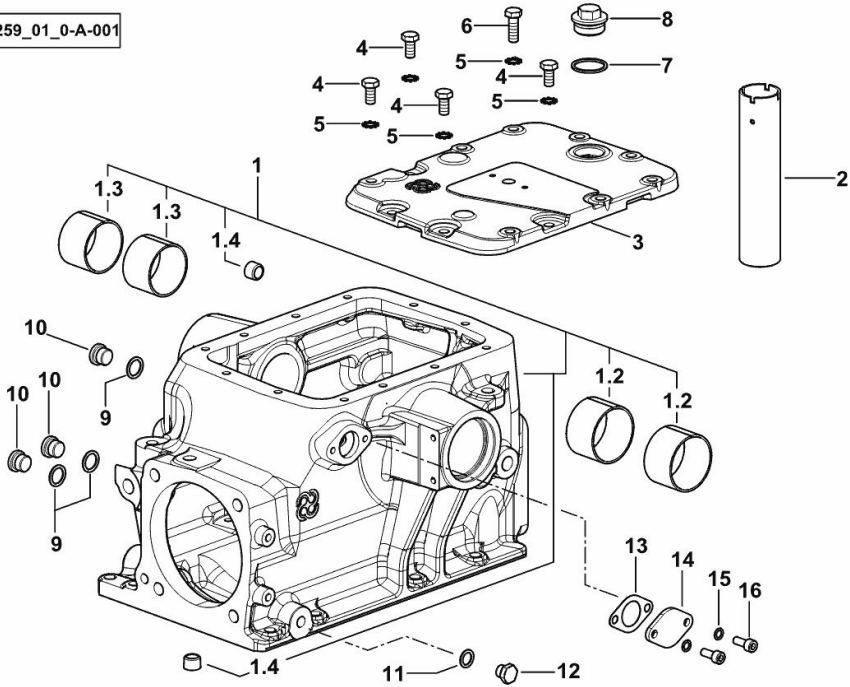
Fig.	P/n	QTY	Name
------	-----	-----	------

Notes:

[Nitro R 120 T4i -> ZKDY540100TL10001] [Nitro R 120 T4i -> ZKDY540200TL10001]

1	0.020.4646.3/10	1	hydraulic lift housing
1.2	2.1555.621.0	2	bushing 60x65x40
1.3	2.1555.620.0	2	bushing 55x60x40
1.4	2.3131.004.2	2	plug m 18 p.1.5
2	0.9131.150.0	1	tube
3	0.014.9724.0	1	cover
4	2.0112.307.2	4	screw m 10 p.1.5 x 20
5	2.1470.006.2	12	lock washer 10
6	2.0112.311.2	8	screw m 10 p.1.5 x 30
7	2.1560.056.0	1	gasket 33x39
8	2.3110.516.1	1	plug 1" gas
9	2.1560.014.0	3	washer 18.2 x 24
10	2.3120.001.4	3	plug m 18 p.1.5
11	2.1560.010.0	1	gasket 14.2 x 20
12	2.3110.403.1	1	plug m 14 p.1.5x12
13	0.445.6350.0/10	1	gasket
14	0.009.3446.0/10	1	flange
15	2.1480.014.2	2	washer 8
16	2.0312.206.2	2	screw m 8 p 1.25 x 20

9_Y5259_01_0-A-001



REAR LIFT ASSEMBLY PACKAGE

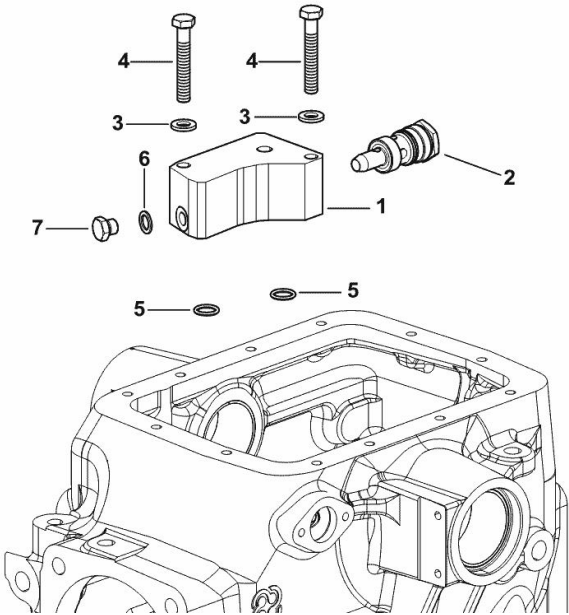
Fig.	P/n	QTY	Name
------	-----	-----	------

Notes:

[Nitro R 120 T4i -> ZKDY540100TL10001] [Nitro R 120 T4i -> ZKDY540200TL10001]

1	0.020.6767.0	1	valve body
2	2.3729.055.0	1	valve
3	2.1475.203.2	2	spring washer 10
4	2.0112.322.2	2	screw m 10 p.1.5x65
5	2.1531.037.0	2	oil seal 15.08x2.62
6	2.1560.008.0	1	gasket 12.2 x 18
7	2.3110.422.2	1	plug m 12 p.1.25

9_Y5259_22_0-A-001



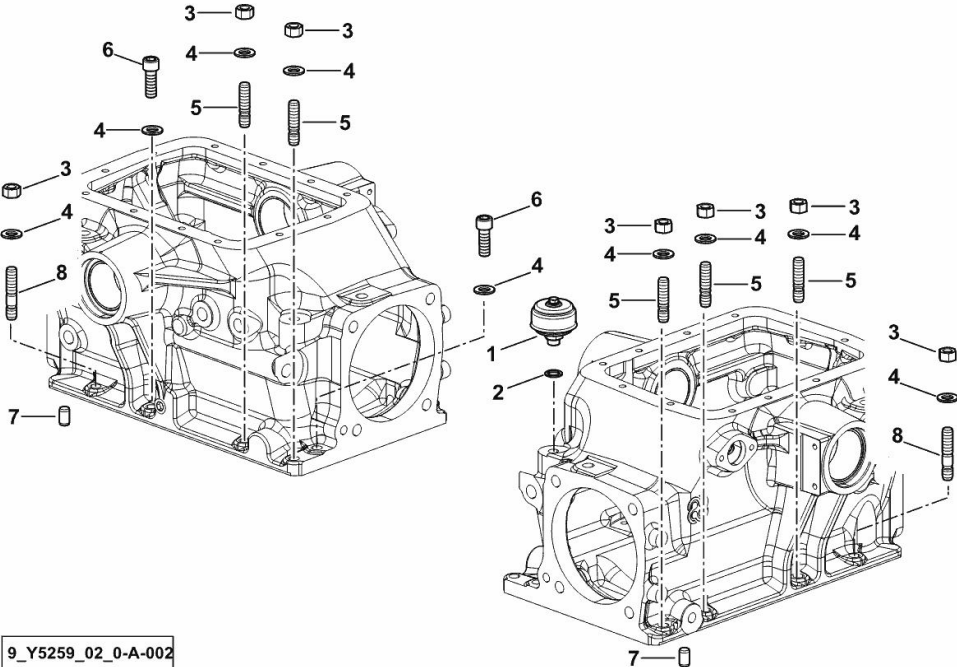
LIFT FIXING COMPONENTS

Fig.	P/n	QTY	Name
------	-----	-----	------

Notes:

[Nitro R 120 T4i -> ZKDY540100TL10001] [Nitro R 120 T4i -> ZKDY540200TL10001]

1	0.445.3150.4/20	1	filter
2	2.1560.010.0	1	gasket 14.2 x 20
3	2.1012.422.2	7	nut m 12 p.1.25
4	2.1475.004.2	10	spring washer 12
5	2.0432.259.7	5	stud bolt m 12 p.1.75-1.25x35
6	2.0312.412.2	3	screw m 12 p.1.75x35
7	2.1651.907.0	2	cylindrical plug 12 x16
8	2.0432.263.7	2	stud bolt m 12 p.1.75-1.25x45



9_Y5259_02_0-A-002

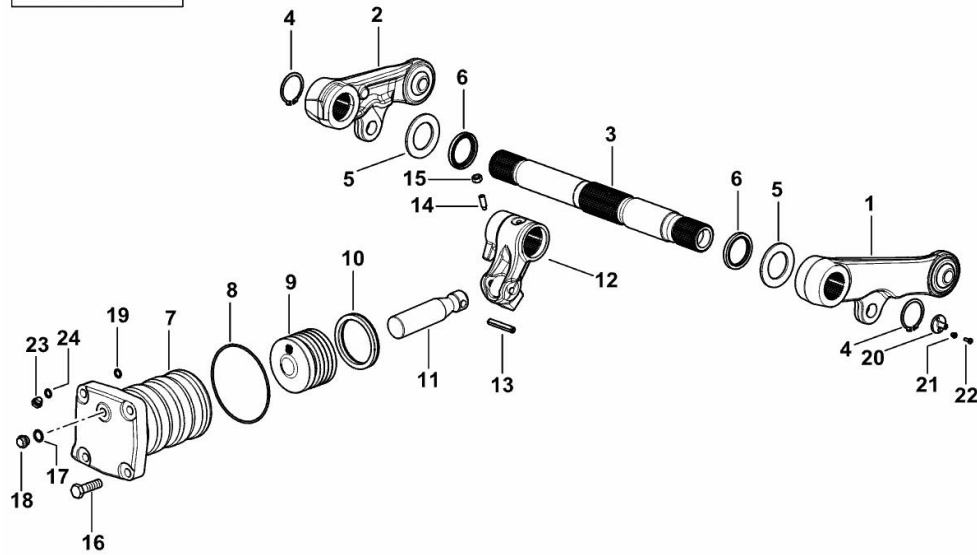
LIFTING

Fig.	P/n	QTY	Name
------	-----	-----	------

Notes:

[Nitro R 120 T4i -> ZKDY540100TL10001] [Nitro R 120 T4i -> ZKDY540200TL10001]

9_Y5259_21_0-A-001



1	0.020.6927.3	1	lever sx/lh/li
2	0.020.6926.3	1	lever dx/rh/re
3	0.009.3679.0/30	1	shaft
4	2.1410.022.1	2	circlip 55
5	2.1599.696.2	2	shoulder ring 55x88x5
6	2.1520.329.0	2	oil seal 55x72x10
7	0.9131.310.0	1	cylinder
8	2.1530.256.0	1	oil seal 152x3.5
9	0.9131.311.0/10	1	piston
10	2.1518.125.0	1	oil seal 90x110x12.5
11	0.9131.313.0	1	connecting rod
12	0.007.1952.0/20	1	lever
13	2.1631.922.0	1	roll pin 12x65
14	2.0522.312.7	1	screw m 10 p.1.5 x 30
15	2.1011.106.2	1	nut m 10 p.1.5
16	2.0122.620.2	4	screw m 16 p.1.5x55
17	2.1560.014.0	1	washer 18.2 x 24
18	2.3110.405.1	1	plug m 18 p.1.5 x 15
19	2.1531.029.0	1	oil seal 12.37x2.62
20	0.007.6992.0/10	1	joint
21	2.1559.363.2	2	bush 7x10x7
22	2.0332.305.2	2	screw m 5 p.0.8 x 14
23	2.3110.422.1	1	plug m 12 p.1.25 x 10
24	2.1560.008.0	1	gasket 12.2 x 18

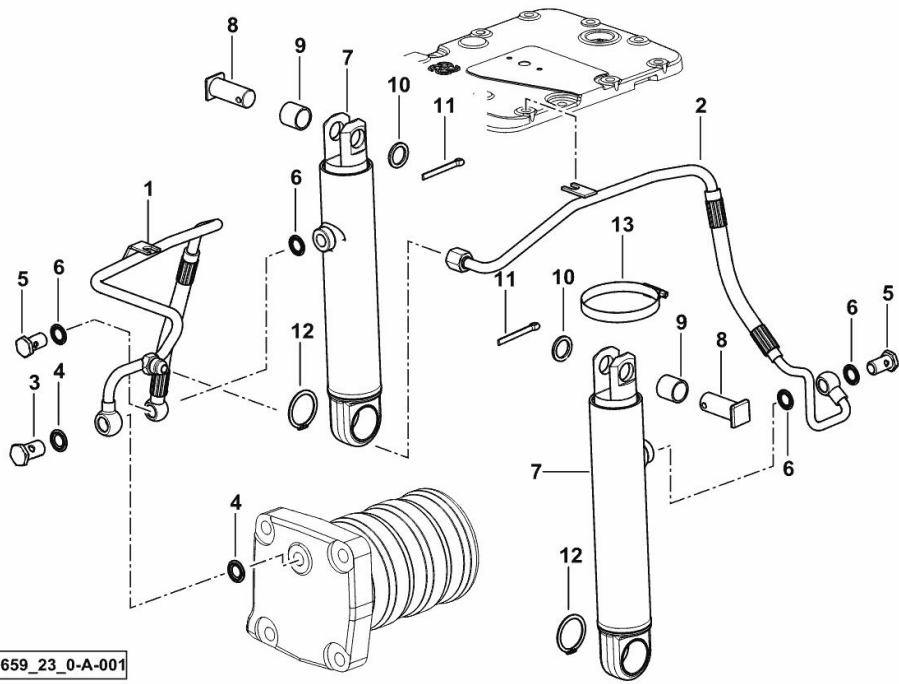
SUPPLEMENTARY CYLINDERS Ø 50 mm

Fig.	P/n	QTY	Name
------	-----	-----	------

Notes:

[Nitro R 120 T4i -> ZKDY540100TL10001] [Nitro R 120 T4i -> ZKDY540200TL10001]

1	0.020.7463.3/10	1	tube
2	0.020.7461.3	1	tube
3	2.3335.008.2	1	pipe union m 18 p.1.5 x 32
4	2.1561.110.0	2	oil seal Ø 18 -B-
5	2.3335.007.2	2	pipe union m 16 p.1.5x28
6	2.1561.108.0	4	oil seal 16
7	0.9123.330.4/30	2	cylinder Ø 50 mm ☞ 0.9123.330.4/30
8	2.1699.372.0/30	2	pin 22x59
9	2.1559.174.0	2	special bushing 22x27x25
10	2.1599.656.2	2	washer 22 x 30 x 3.0
11	2.1690.616.2	2	split pin 6.3 x 50
12	2.1410.016.1	2	circlip 40
13	2.6851.006.0	1	clamp Ø 50/70



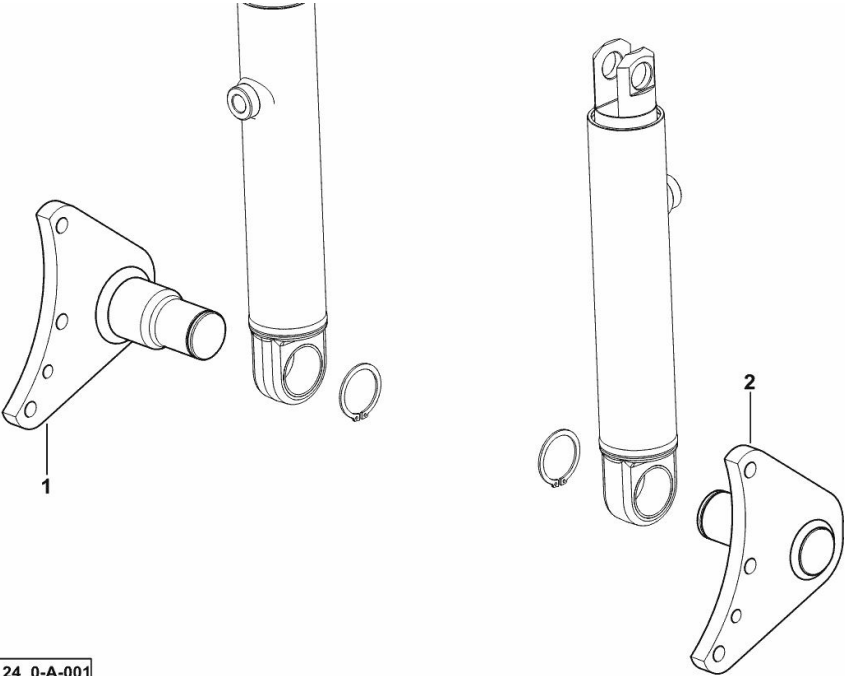
9_Y5659_23_0-A-001

CYLINDER SUPPORT BRACKETS Ø 50 mm

Fig.	P/n	QTY	Name
------	-----	-----	------

Notes:
- FOR TYPES WITH HYDRAULIC PARK BRAKE [Nitro R 120 T4i -> ZKDY540200TL10001]

1	0.020.7973.3	1	bracket dx/rh/re
2	0.020.7974.3	1	bracket sx/lh/li



9_Y5659_24_0-A-001

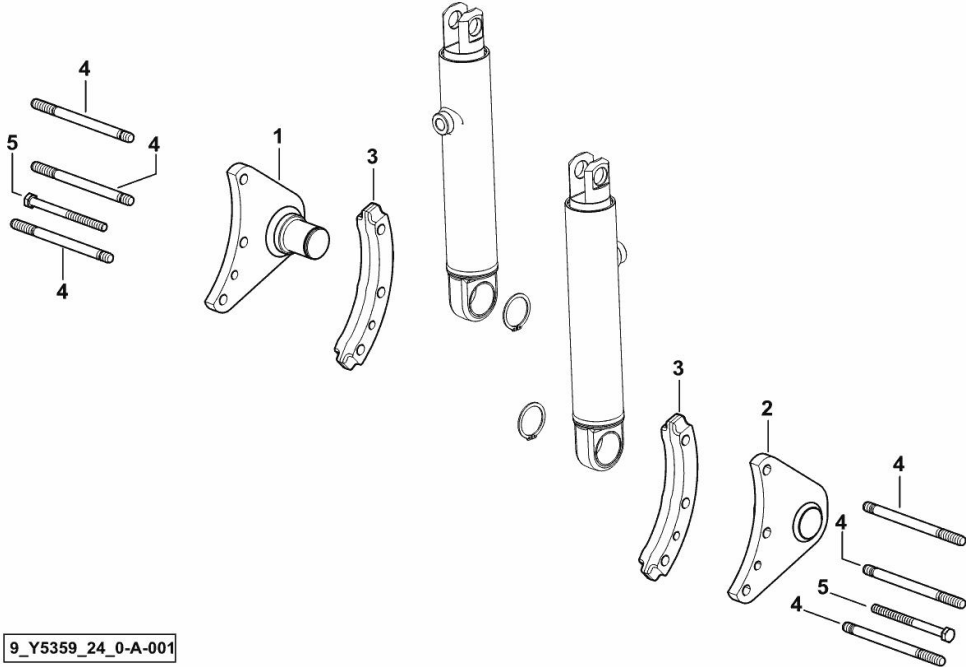
CYLINDER SUPPORT BRACKETS Ø 50 mm

Fig.	P/n	QTY	Name
------	-----	-----	------

Notes:

[Nitro R 120 T4i -> ZKDY540100TL10001] 10018 <- [Nitro R 120 T4i -> ZKDY540200TL10001] 10018 <-

1	0.020.7968.3	1	bracket dx/rh/re
2	0.020.7970.3	1	bracket sx/lh/li
3	0.020.7969.0	2	spacer
4	2.0422.430.2	6	stud bolt m12x150
5	2.0112.334.2	2	screw m 10 p.1.5x125



9_Y5359_24_0-A-001

Buy Now



Our support email:

ebooklibonline@outlook.com