

Section: ENGINE
CRANKCASE

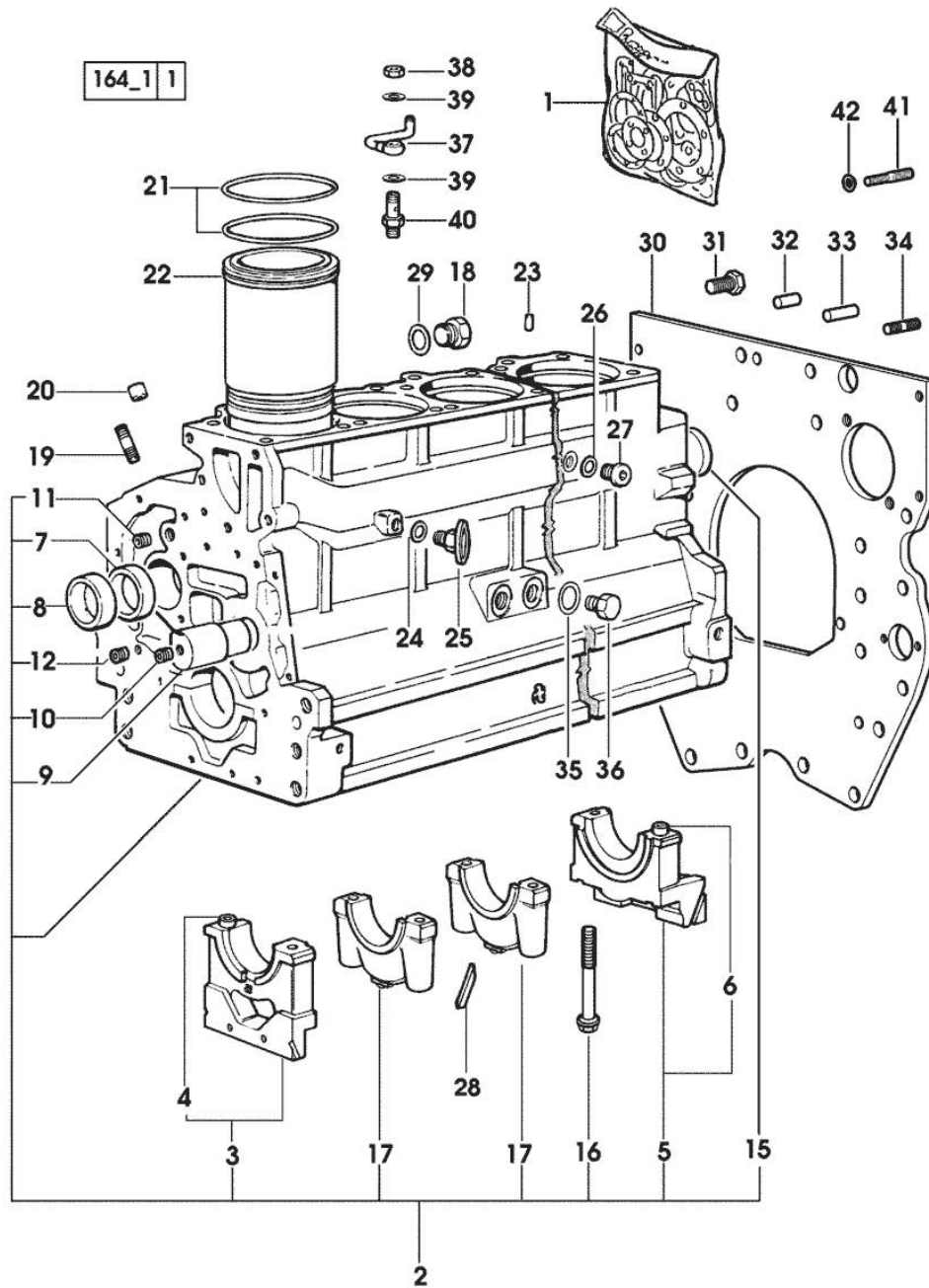


Fig.	P/n	QTY	Name
Notes: [PREMIUM 1100]			
1	0.337.0050.6		gasket set - FOR ENGINE MOUNTING
2	0.007.1102.6/20	1	crankcase * (...) <- - N.24 - 012.2673.0
3	0.065.1112.7	1	support
4	2.1699.165.0	1	bush 12.3x15x16
5	0.007.0848.3/10	1	support
6	2.1699.165.0	1	bush 12.3x15x16
7	0.065.1141.0	1	special bushing 59X55X30
8	0.065.1140.0	6	special bushing 59X55X20
9	0.066.1151.0	1	pin
10	2.3130.001.1	14	plug 1/8" gas
11	2.3130.002.1	2	plug 1/4" gas
12	2.3130.003.1	8	plug 3/8" gas
15	2.3179.012.0	1	plug 60
16	0.065.1117.0	14	screw m 12 x 100
17	0.065.1114.0/10	5	support
18	2.3199.405.2	1	plug m 28 p.1.5
19	2.0432.003.7	18	stud bolt m 8 p.1.25 / p.1 x 20
20	2.1559.188.2	6	bush 11.4 x 14 x16
21	2.1539.193.0	12	special oil seal 107.62x2.62
22	0.011.0183.0/20	6	engine cylinder 6963 <= X PREMIUM 1100 6921 <= X PREMIUM 1300
22	0.A12.2675.0	6	engine cylinder "A" => 6964 X PREMIUM 1100 => 6922 X PREMIUM 1300
22	0.B12.2675.0	6	engine cylinder "B" => 6964 X PREMIUM 1100 => 6922 X PREMIUM 1300
23	2.1549.154.2	6	bush 4.8x5.8x16
24	2.1560.010.0	1	gasket 14.2 x 20
25	0.049.1152.0	1	cock
26	2.1560.014.0	1	washer 18.2 x 24
27	2.3120.101.0	1	plug m 18 p.1.5
28	0.066.1152.0/10	4	gasket
29	2.1539.047.0	1	special oil seal 26.7x1.78
30	0.007.0805.0/40	1	flange
31	2.0112.511.2	8	screw m 14 p.2 x 30
32	2.1651.912.0	2	cylindrical plug 12x28

Section: ENGINE
CRANKCASE

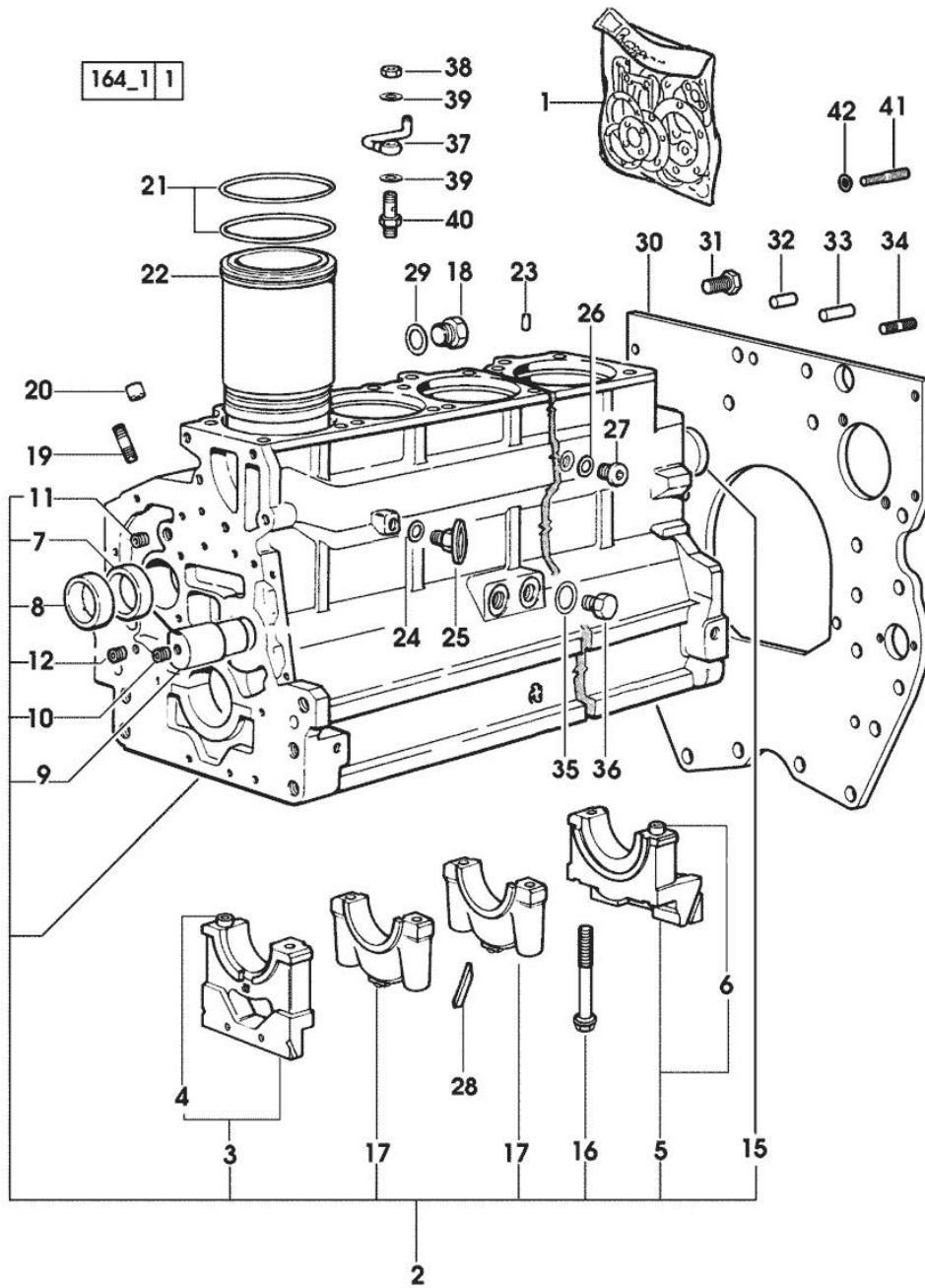


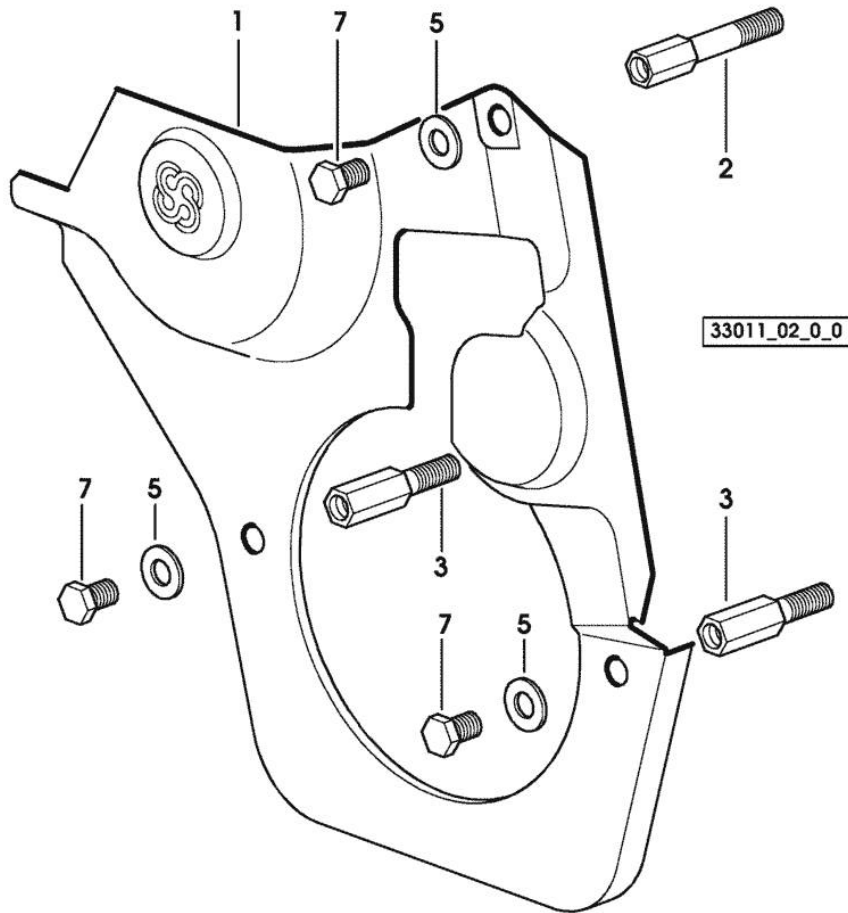
Fig.	P/n	QTY	Name
33	2.1651.917.0	1	cylindrical plug 12x40
34	2.0432.257.7	1	stud bolt m 12 p.1.75 - 1.25 x 30
35	2.1560.017.0	1	gasket 22.2 x 27
36	2.3120.002.4	1	plug m 22 x 1.5
37	0.086.1550.2	6	sprayer nozzle
38	2.1099.108.2	6	special nut m 10 p.1
39	2.1560.006.0	12	gasket 10.2 x 16
40	0.065.1160.3/20	6	valve
41	2.0439.250.7	1	stud bolt m 12 / m 10 x 30
42	0.011.9294.0/10	1	bush

Section: ENGINE
GUARD PLATE

Fig.	P/n	QTY	Name
------	-----	-----	------

Notes:
 [PREMIUM 1100]

1	0.007.1262.3/50	1	guard
2	0.007.1271.0/10	1	small column m 8 p.1.25 / L = mm 60
3	0.007.1272.0/10	2	small column m 8 p.1.25 / L = mm 50
5	2.1310.004.2	3	flat washer 8.4x17
7	2.0112.205.2	3	screw m 8 p.1.25 x 16

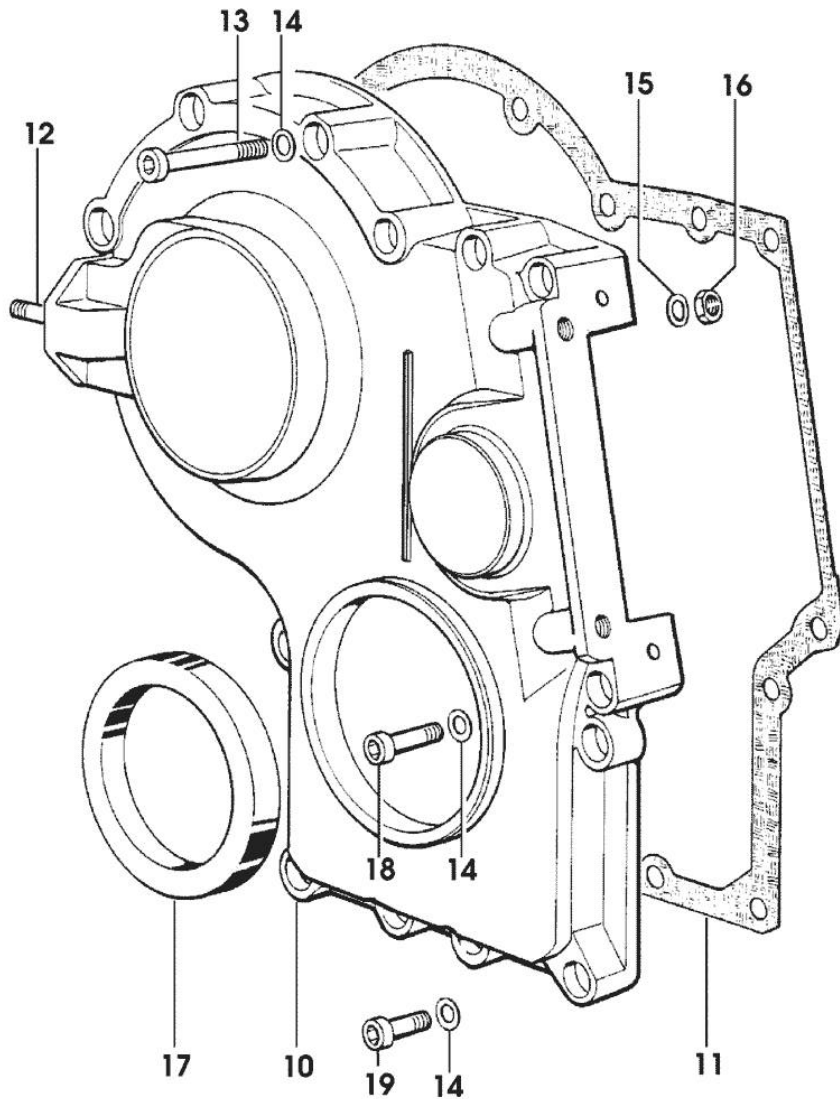


Section: ENGINE
TIMING CASE

Fig.	P/n	QTY	Name
------	-----	-----	------

Notes:
[PREMIUM 1100]

10	0.065.1132.0/60	1	guard
11	0.065.1150.0/30	1	gasket
12	2.0432.003.7	2	stud bolt m 8 p.1.25 / p.1 x 20
13	2.0312.219.2	4	screw m 8 p.1.25x65
14	2.1480.014.1	15	washer 8
15	2.1470.004.2	4	lock washer 8
16	2.1011.405.2	2	nut m 8 p.1
17	2.1529.141.0	1	special oil seal
18	2.0312.214.2	3	screw m 8 p.1.25 x 40
19	2.0312.208.2	8	screw m 8 p.1.25 x 25



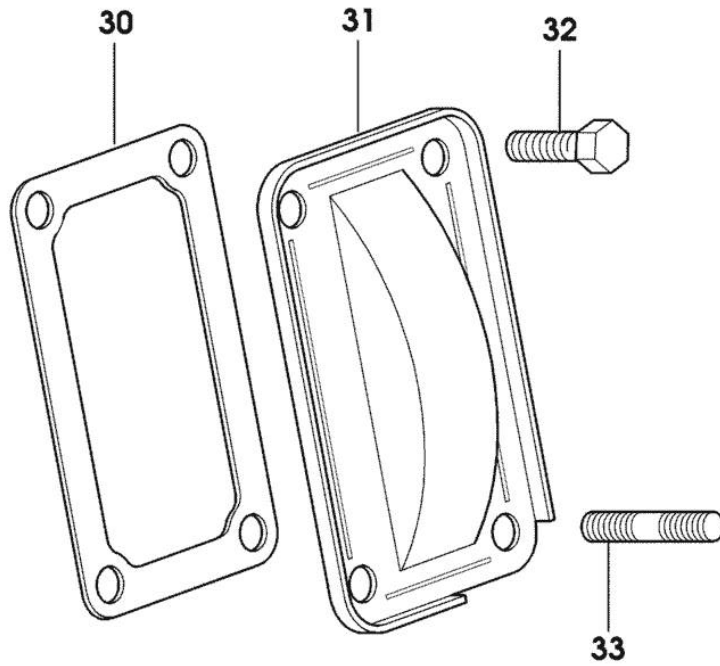
9_33611_01_0_0

Section: ENGINE
CASING COVER

Fig.	P/n	QTY	Name
------	-----	-----	------

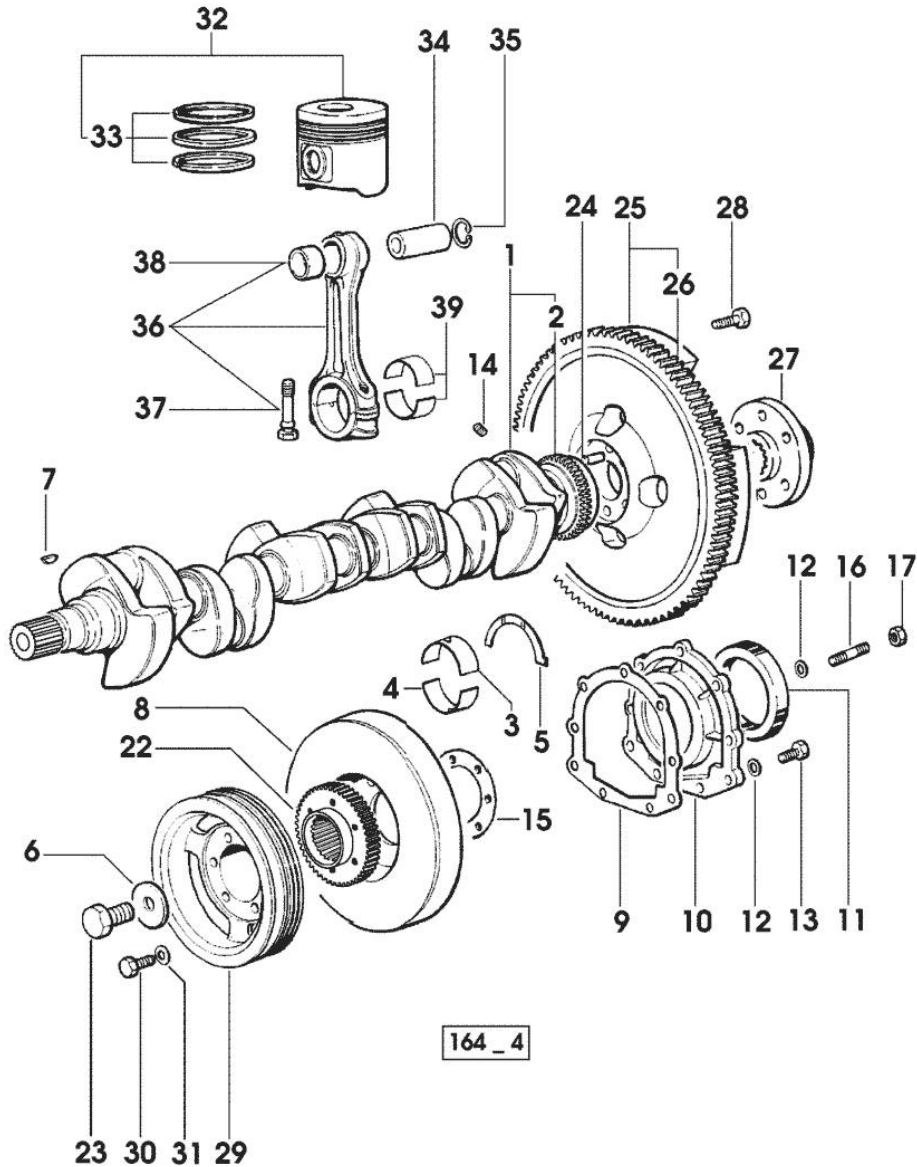
Notes:
 [PREMIUM 1100]

30	0.065.1152.0	1	gasket
31	0.065.1151.0	1	cover
32	2.0112.205.2	2	screw m 8 p.1.25 x 16
33	2.0432.005.7	2	stud bolt m 8 p.1.5 / p.1 x 25



9_33011_04_0_0

CRANKSHAFT



164_4

Fig.	P/n	QTY	Name
------	-----	-----	------

Notes:
[PREMIUM 1100]

1	0.010.4320.3/20	1	crankshaft
2	0.007.0855.0	1	gear
3	0.065.1215.0	7	main half bushing STANDARD
3	0.065.1215.7		main half bushing - mm 0.25
3	0.065.1215.8		main half bushing - mm 0.50
4	0.065.1216.0	7	main half bushing
4	0.065.1216.7		main half bushing - mm 0.25
4	0.065.1216.8		main half bushing - mm 0.50
5	0.065.1218.0	4	shim STANDARD
5	0.065.1218.7		shim + mm 0.10
5	0.065.1218.8		shim + mm 0.15
6	2.1599.524.7	1	washer 21x60x12
7	2.1720.006.0	1	key 4x6.5
8	0.007.1010.3	1	antivibration pulley
9	0.065.1254.0/20	1	gasket
10	0.007.0851.0/10	1	cover
11	2.1529.073.0	1	special oil seal 110x130x13
12	2.1475.002.2	9	conical washer 8
13	2.0112.207.2	7	screw m 8 p 1.25 x 20
14	2.3130.001.1	6	plug 1/8" gas
15	2.1589.137.0	2	shoulder ring 71x110x1
16	2.0432.003.7	2	stud bolt m 8 p.1.25 / p.1 x 20
17	2.1011.105.2	2	nut m 8 p.1.25
22	0.011.2206.0/10	1	hub
23	2.0399.144.7/10	1	screw m 20 p.1.5x51
24	2.1651.915.0	1	pin 12x35
25	0.007.1702.3/30	1	flywheel
26	0.065.1242.0	1	crown wheel Z = 123
27	0.288.3625.0	1	flange
28	2.0139.022.2	6	screw m 12 p.1.25x55
29	0.007.0962.0/20	1	pulley
30	2.0112.322.2	6	screw m 10 p.1.5x65
31	2.1470.006.2	6	lock washer 10
32	0.087.0060.6/30	6	complete piston
32	0.087.0060.A	6	complete piston STANDARD
32	0.087.0060.B	6	complete piston => 6922 X PREMIUM 1300
32	0.379.0060.6	6	complete piston => 6922 X PREMIUM 1300 6963 <= X PREMIUM 1100

CRANKSHAFT

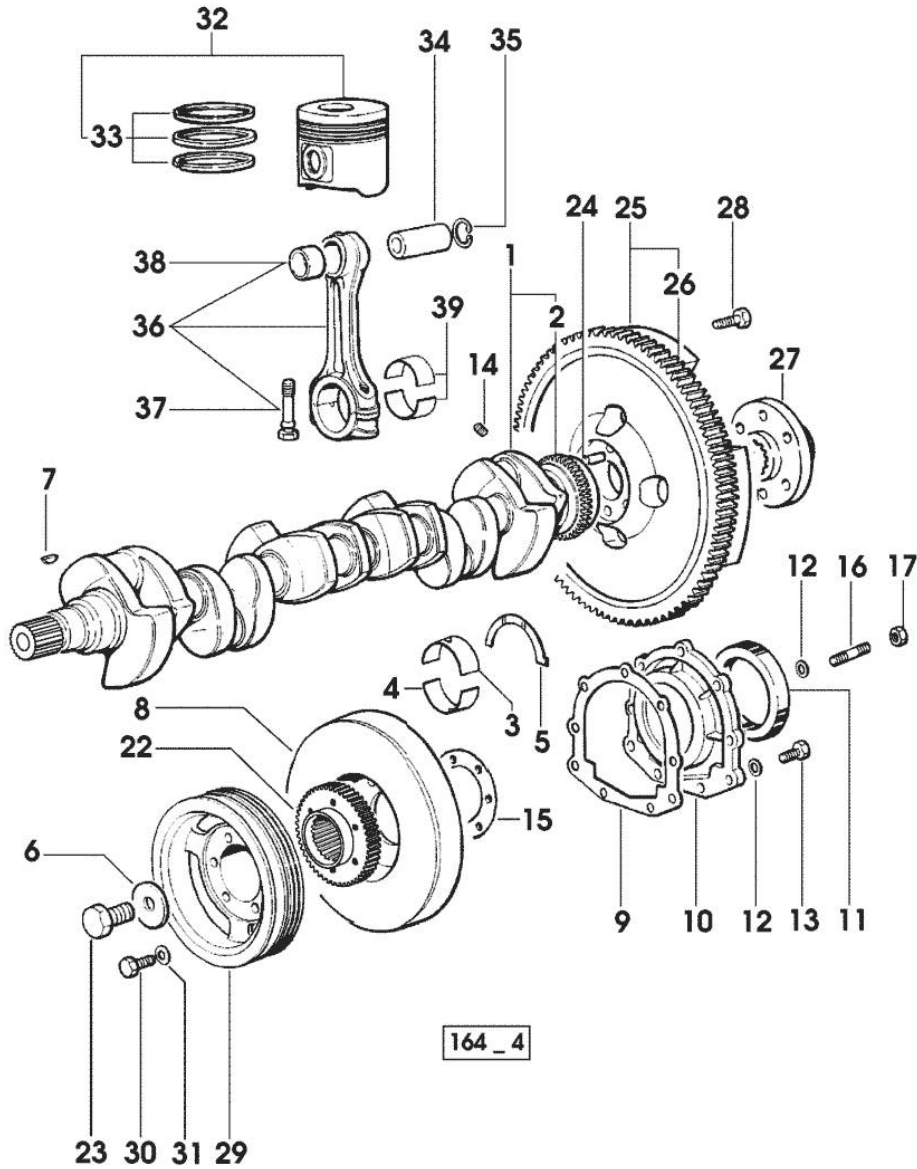


Fig.	P/n	QTY	Name
32	0.379.0060.A	6	complete piston "A" => 6964 X PREMIUM 1100
32	0.379.0060.B	6	complete piston "B" => 6964 X PREMIUM 1100
32	0.382.0060.6	6	complete piston 6921 <= X PREMIUM 1300 - EXPORT U.S.A.
33	0.081.0090.6/10	6	piston ring set - X 110HP
33	0.086.0052.6/10	6	piston ring set - X 130HP
34	0.078.1236.0	6	piston pin Ø 18 / Ø 35 / L = mm 86
35	2.1411.014.1	12	circlip 35
36	0.078.1220.3/30	6	engine connecting rod
37	2.0399.213.0	2	screw m 12 p.1.25x61.5
38	2.1559.114.0/10	1	special bushing
39	0.065.1225.0	12	con.rod half bushing STANDARD - A = 28.75 -> 29.00
39	0.065.1225.7		con.rod half bushing - mm 0.25
39	0.065.1225.8		con.rod half bushing - mm 0.50

Buy Now



Our support email:

ebooklibonline@outlook.com