

## Section: ENGINE

## CRANKCASE

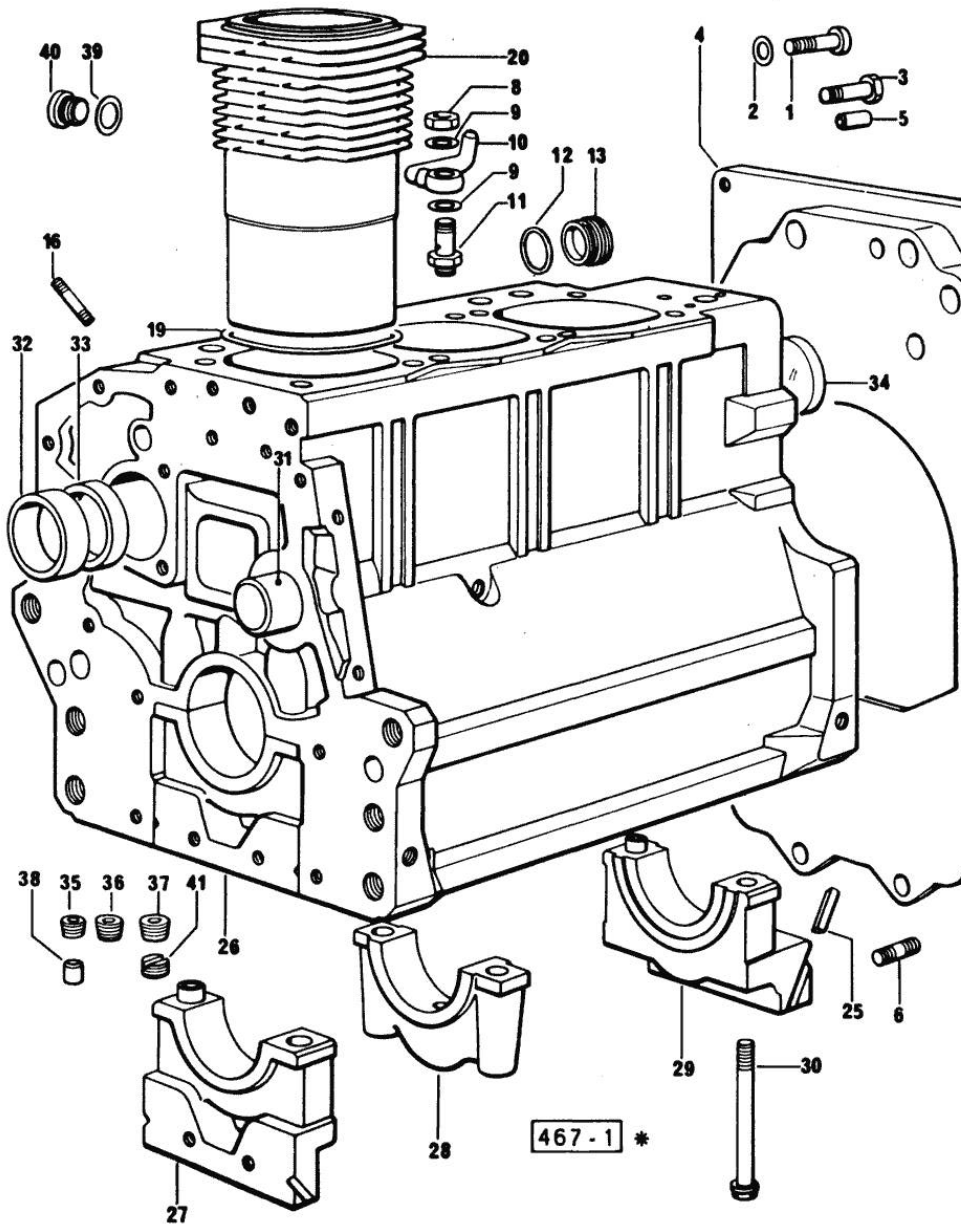


Fig.	P/n	QTY	Name
Notes: [R 660 FR]			
0	0.085.0050.6	1	gasket set - FOR ENGINE MOUNTING
1	2.0312.516.1	2	screw m 14 p.2x50
2	2.1480.018.1	2	washer 14
3	2.0112.511.1	8	screw m 14 p.2 x 30
4	0.330.1130.0	1	extension
5	2.1651.912.0	2	cylindrical plug 12x28
6	2.0432.255.1	2	stud bolt m 12 p.1.75 - 12 p1.25x25
8	2.1099.108.2	3	special nut m 10 p.1
9	2.1560.006.0	6	gasket 10.2 x 16
10	0.086.1550.2	3	sprayer nozzle
11	0.065.1160.3/20	3	valve
12	2.1539.047.2	1	old part number
13	2.3199.405.2	1	plug m 28 p.1.5
16	2.0432.003.7	9	stud bolt m 8 p.1.25 / p.1 x 20
19	2.1519.096.0/10	3	oil seal 107.67x1.78
20	0.085.1120.0/10	3	engine cylinder
25	0.066.1152.0/10	4	gasket
26	9.08599.41.1	1	crankcase
27	0.065.1112.3	1	support
27	2.1699.165.0	1	bush 12.3x15x16
28	0.065.1114.0/10	2	support
29	0.065.1116.3	1	support
29	2.1699.165.0	1	bush 12.3x15x16
30	0.065.1117.0	8	screw m 12 x 100
31	0.066.1151.0	1	pin
32	0.065.1141.0	1	special bushing 59X55X30
33	0.065.1140.0	3	special bushing 59X55X20
34	2.3179.012.0	1	plug 60
35	2.3130.001.1	10	plug 1/8" gas
36	2.3130.002.1	2	plug 1/4" gas
37	2.3130.003.1	7	plug 3/8" gas
38	2.3199.092.0	3	plug 8 x 12
39	2.1560.017.0	1	gasket 22.2 x 27
40	2.3120.002.4	1	plug m 22 x 1.5
41	2.1324.011.0	1	plug

Section: ENGINE  
TIMING CASE

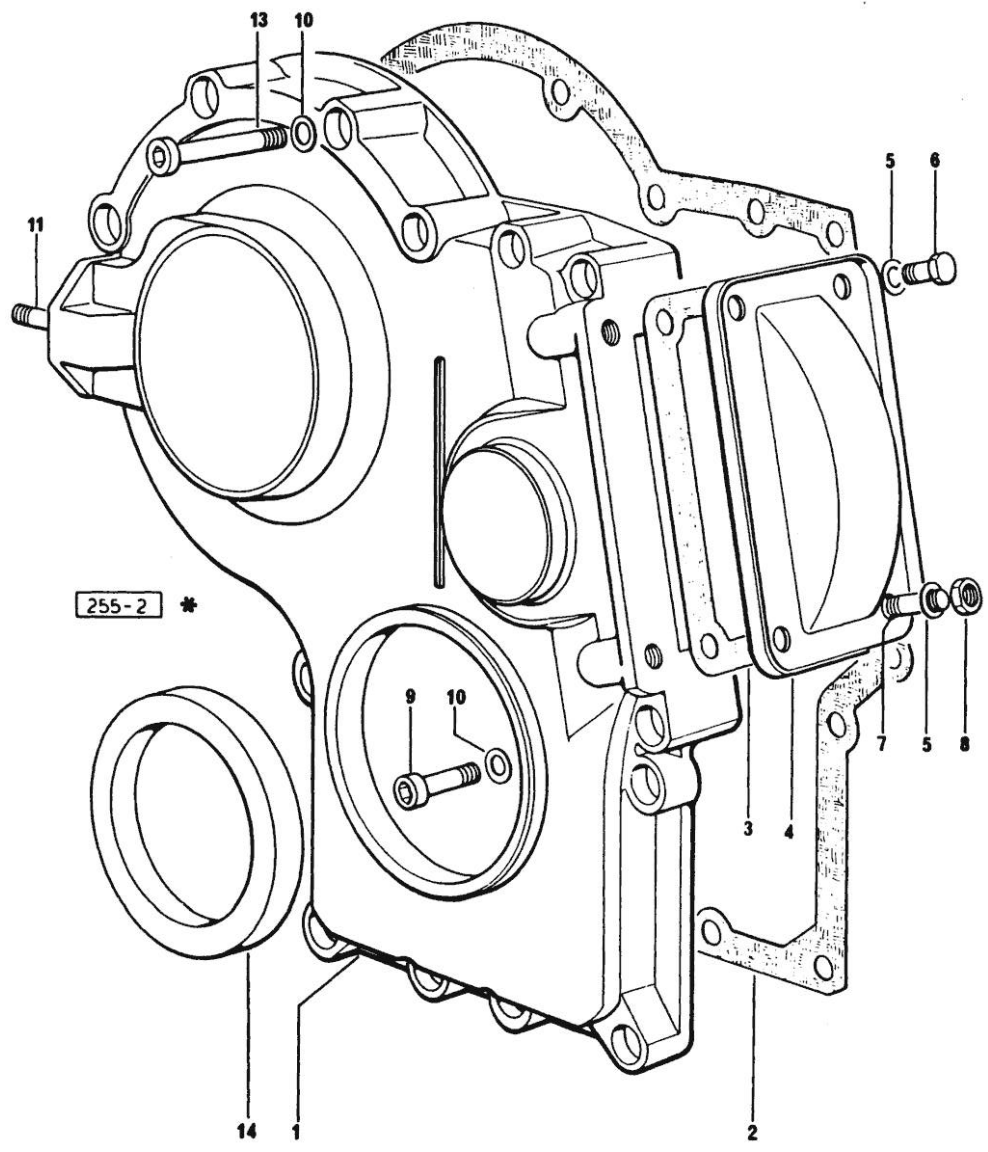


Fig.	P/n	QTY	Name
------	-----	-----	------

Notes:  
[R 660 FR]

1	0.065.1132.0/20	1	guard
2	0.065.1150.0/20	1	gasket
3	0.065.1152.0	1	gasket
4	0.065.1151.0	1	cover
5	2.1470.004.2	4	lock washer 8
6	2.0112.205.2	2	screw m 8 p.1.25 x 16
7	2.0432.003.7	2	stud bolt m 8 p.1.25 / p.1 x 20
8	2.1011.405.2	2	nut m 8 p.1
9	2.0312.208.1	8	screw m 8 p.1.25 x 25
10	2.1480.014.1	15	washer 8
11	2.0432.003.7	2	stud bolt m 8 p.1.25 / p.1 x 20
13	2.0312.214.1	3	screw m 8 p.1.25 x 40
13	2.0312.219.2	4	screw m 8 p.1.25x65
14	2.1529.072.0	1	oil seal

Section: ENGINE

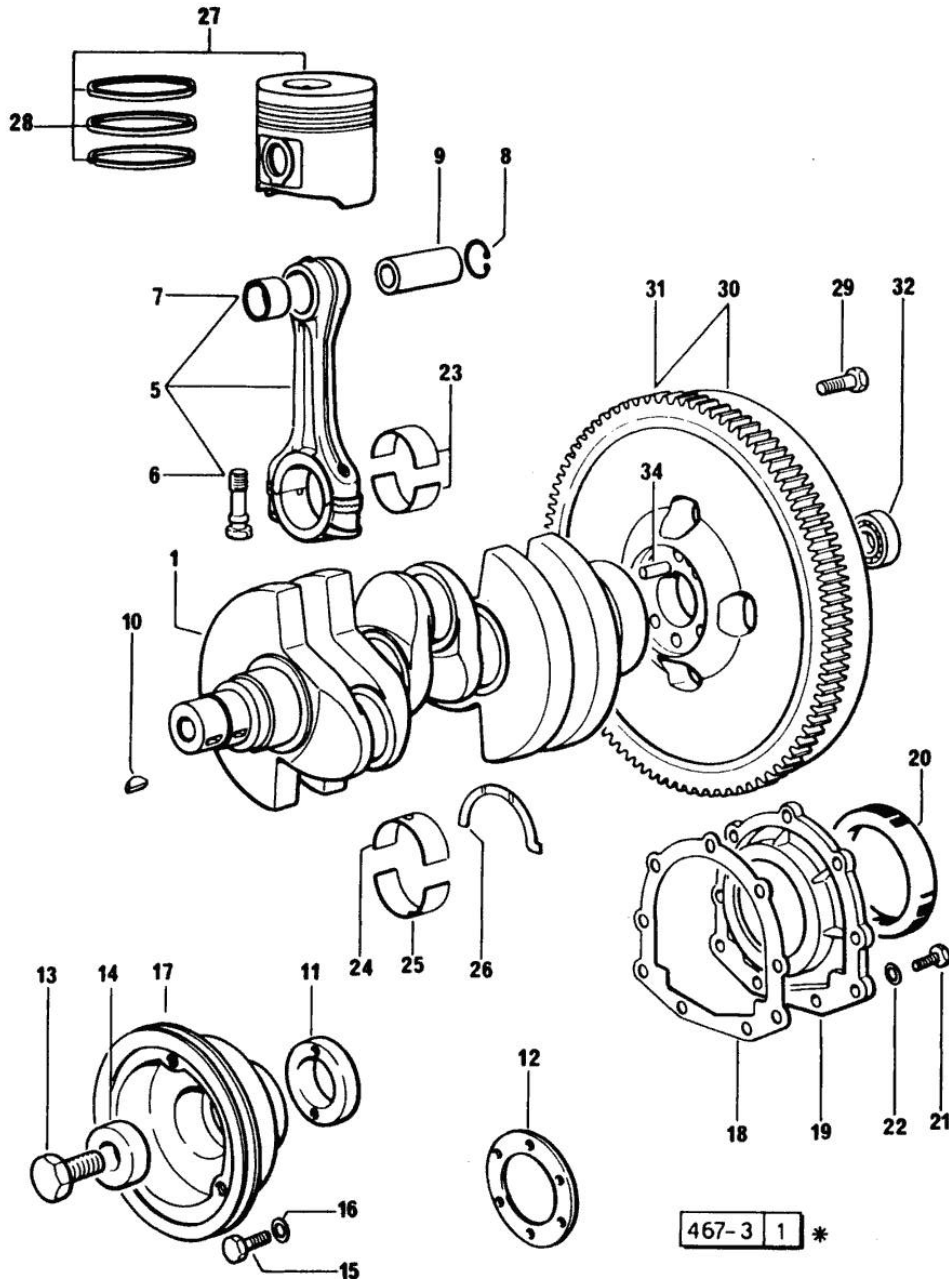
**CRANKSHAFT**

Fig.	P/n	QTY	Name
------	-----	-----	------

**Notes:**

[R 660 FR]

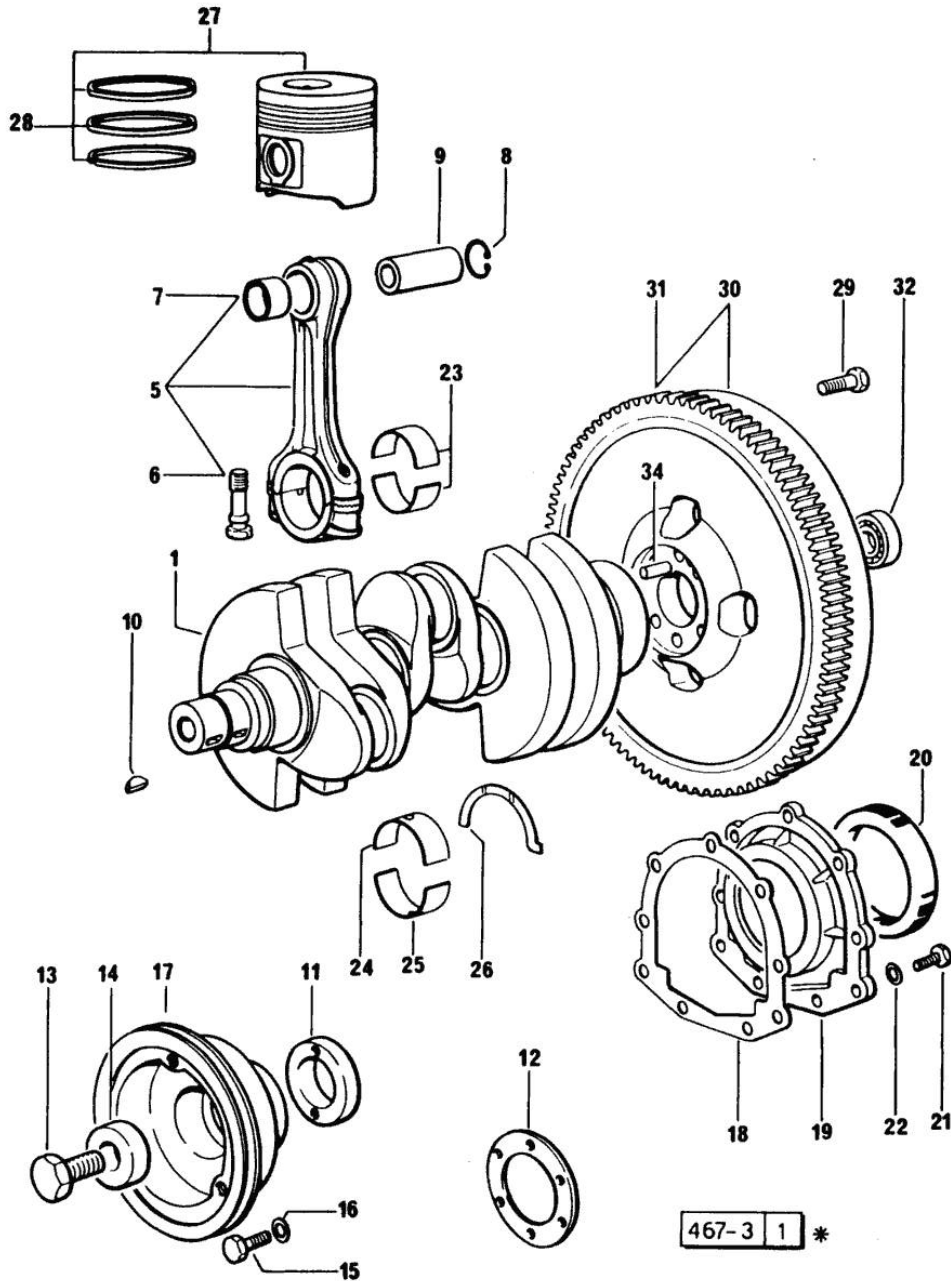
1	0.085.1210.3/20	1	crankshaft
5	0.078.1220.3/10	3	engine connecting rod - X 1000.4 W
6	2.0139.021.0	6	screw
7	2.1559.114.0/10	3	special bushing
8	2.1411.014.1	8	circlip 35
9	0.078.1236.0	3	piston pin Ø 18 / Ø 35 / L = mm 86
10	2.1720.006.0	3	key 4x6.5
11	0.065.1248.0/10	1	hub
11	0.085.1248.0	1	hub 5141<= =>5142
12	2.1589.137.0	1	shoulder ring 71x110x1 5141<=
12	2.1589.138.0	1	old part number 5141<=
12	2.1589.189.0	1	shoulder ring mm 1.00 =>5142
13	2.0399.095.2/10	1	screw (...)<=
13	2.0399.144.7	1	screw m 20 p.1.5x51 =>(…)
14	2.1599.503.2	1	shoulder ring (...)<=
14	2.1599.524.7	1	washer 21x60x12 =>(…)
15	2.0112.317.2	6	screw m 10 p.1.5 x 45 5141<=
15	2.0312.308.2	3	screw m 10 p.1.5 x 25 =>5142
16	2.1470.006.2	6	lock washer 10
16	2.1480.015.1	3	washer 10
17	0.065.1244.0	1	pulley 5141<=
17	0.085.1244.0	1	pulley =>5142
18	0.065.1254.0/10	1	gasket
19	0.065.1253.0/10	1	cover
20	2.1529.073.0	1	special oil seal 110x130x13
21	2.0112.207.2	9	screw m 8 p 1.25 x 20
22	2.1474.009.2	9	spring washer 8
23	0.065.1225.0	6	con.rod half bushing STANDARD - A = 28.75 -> 29.00



Section: ENGINE

**CRANKSHAFT**

Fig.	P/n	QTY	Name
23	0.065.1225.7	6	con.rod half bushing - mm 0.25
23	0.065.1225.8	6	con.rod half bushing - mm 0.50
24	0.065.1215.0	4	main half bushing STANDARD
24	0.065.1215.7	4	main half bushing - mm 0.25
24	0.065.1215.8	4	main half bushing - mm 0.50
25	0.065.1216.0	4	main half bushing
25	0.065.1216.7	4	main half bushing - mm 0.25
25	0.065.1216.8	4	main half bushing - mm 0.50
26	0.065.1218.0	3	shim STANDARD
26	0.065.1218.7	3	shim + mm 0.10
26	0.065.1218.8	3	shim + mm 0.15
27	0.086.0060.6/10	3	complete piston
28	0.086.0052.6	3	piston ring set
29	0.330.1250.0	6	screw m 12 p.1.25x98
30	0.330.1247.3	1	flywheel
31	0.069.1242.0	1	crown wheel Z = 121
32	2.2041.008.0	1	ball bearing 20x47x14
34	2.1652.915.0	1	cylindrical plug 12x35



Section: ENGINE

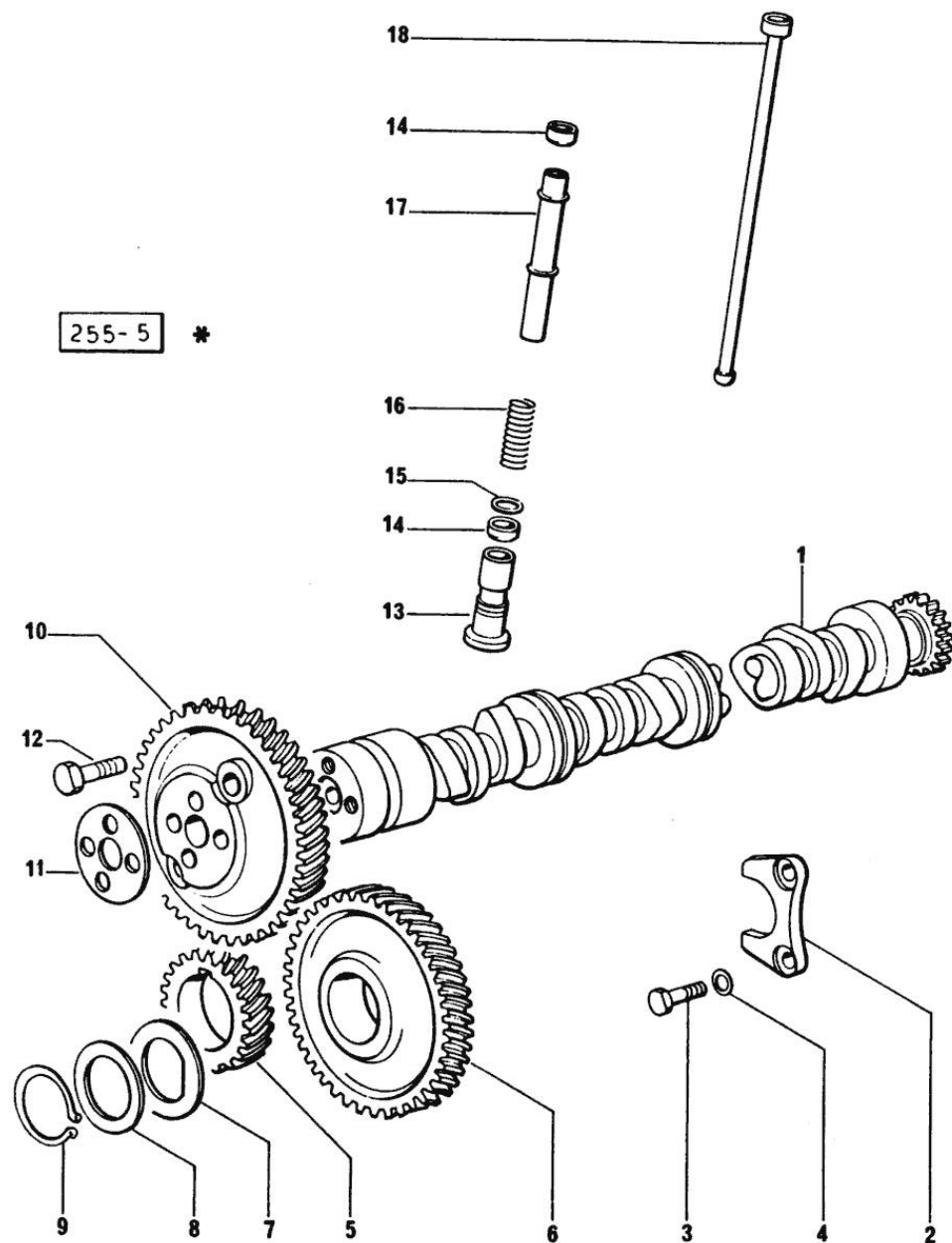
**CAMSHAFT**

Fig.	P/n	QTY	Name
<b>Notes:</b>			
[R 660 FR]			
1	0.065.1324.0/10	1	gear Z = 32
1	0.070.1310.3/30	1	camshaft
2	0.065.1353.0	1	small plate
3	2.0312.205.2	2	screw
4	2.1480.014.1	2	washer 8
5	065.1323.0/20	1	-
6	0.007.1177.3	1	gear =>(…) WITH RED IDENTIFICATION TAG
6	0.007.1178.3	1	gear =>(…) WITH YELLOW IDENTIFICATION TAG
6	0.007.1179.3	1	gear =>(…) WITH GREEN IDENTIFICATION TAG
6	065.1325.3/20	1	- (…)<=
6	2.1559.185.0/10	1	bushing
7	0.065.1351.0	2	shoulder ring
8	0.065.1352.0	1	shim
9	2.1410.016.1	1	circlip 40
10	0.065.1354.0/10	1	gear z=58
11	0.065.1350.0	1	small disc
12	2.0132.207.2	4	screw m 10 p.1 x 25
13	0.065.1330.0	6	tappets
14	2.1569.114.0	12	gasket
15	2.1599.437.0	6	shoulder ring
16	2.4019.300.1	6	spring
17	0.065.1332.0	6	sleeve
18	0.065.1331.2	6	rod

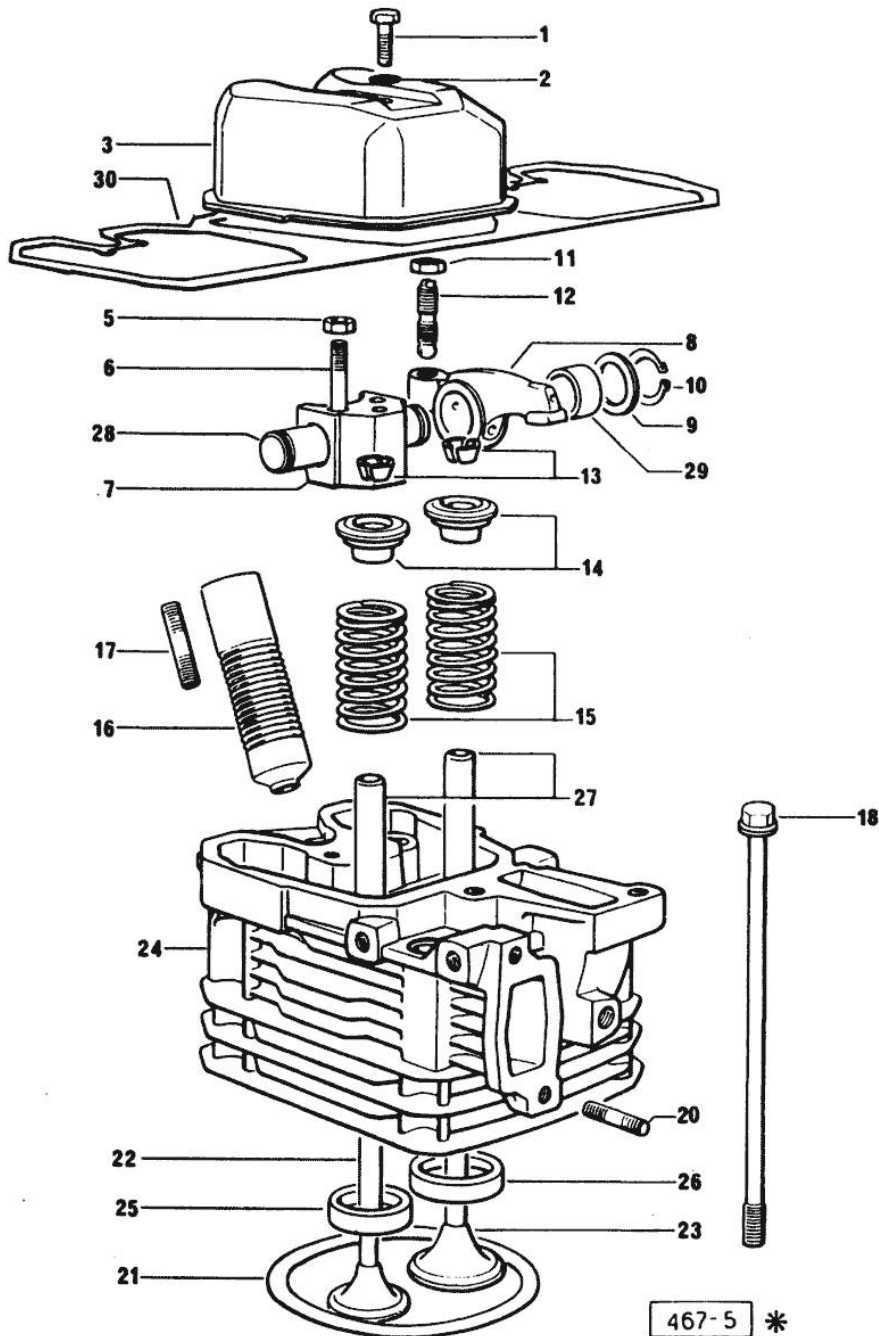
Section: ENGINE  
CYLINDER HEAD

Fig.	P/n	QTY	Name
<b>Notes:</b>			
[R 660 FR]			
0	0.085.0057.6	1	gasket set - FOR 1 CYLINDER VALVE GRINDING AND PISTON RINGS REPLACEMENT
1	2.0112.211.2	3	screw m 8 p.1.25 x 30
2	2.1560.204.0	3	gasket
3	0.066.1440.0/10	3	small cap
5	2.1011.421.2	6	nut m 10 p.1.25
6	2.0432.163.1	6	stud bolt m 10 p.1.5 / p.1.25 x 45
7	0.066.1430.0	3	support
8	0.066.1432.0	6	rocker arm
9	2.1599.432.0	6	shoulder ring
10	2.1410.055.1	6	circlip 19
11	2.1011.405.2	6	nut m 8 p.1
12	0.021.1434.0	6	screw
13	0.074.1423.0	6	conical valve cotter
14	0.066.1425.0	6	cup
15	2.4019.287.0	6	spring
16	0.065.1413.0/10	3	bush L = mm 97.1
17	2.0432.161.7	3	stud bolt m 10 p.1.5 / p.1.25 x 40
18	0.065.1443.0/20	12	screw
20	2.0432.007.1	6	stud bolt m 8 p.1.25 / p.1 x 30
21	0.085.1450.0	3	head gasket mm 0.5 -A-
21	0.085.1451.0	3	head gasket mm 0.7 -B-
21	0.085.1452.0	3	head gasket mm 1.0 -C-
22	0.066.1421.0	3	exhaust valve
23	0.078.1420.0	3	inlet valve
24	0.081.1410.3/10	3	engine head
25	0.066.1427.0	3	valve seat
26	0.078.1426.0	3	valve seat
27	0.066.1416.0	6	valve guide
28	0.066.1431.0	3	pin
29	2.1559.021.0/40	6	bushing 15x19x22
30	0.069.1450.0/10	1	gasket



**Buy Now**



Our support email:

[ebooklibonline@outlook.com](mailto:ebooklibonline@outlook.com)