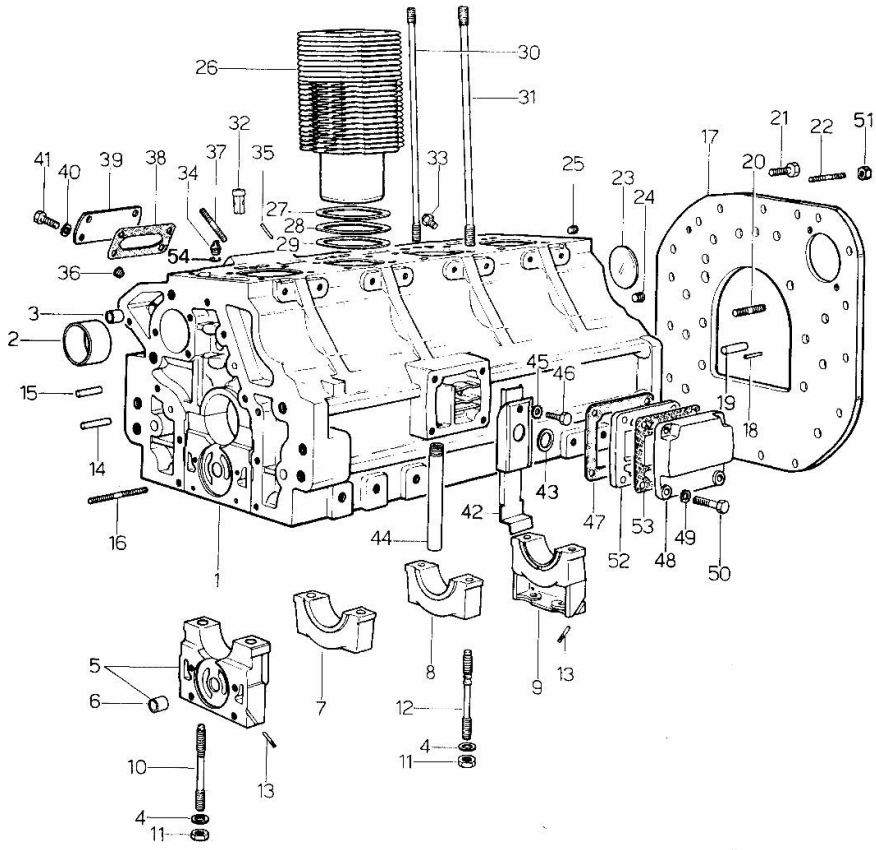


Section: ENGINE  
**CRANKCASE**

| Fig. | P/n | QTY | Name |
|------|-----|-----|------|
|------|-----|-----|------|

Notes:  
 [R 684 Frutteto]

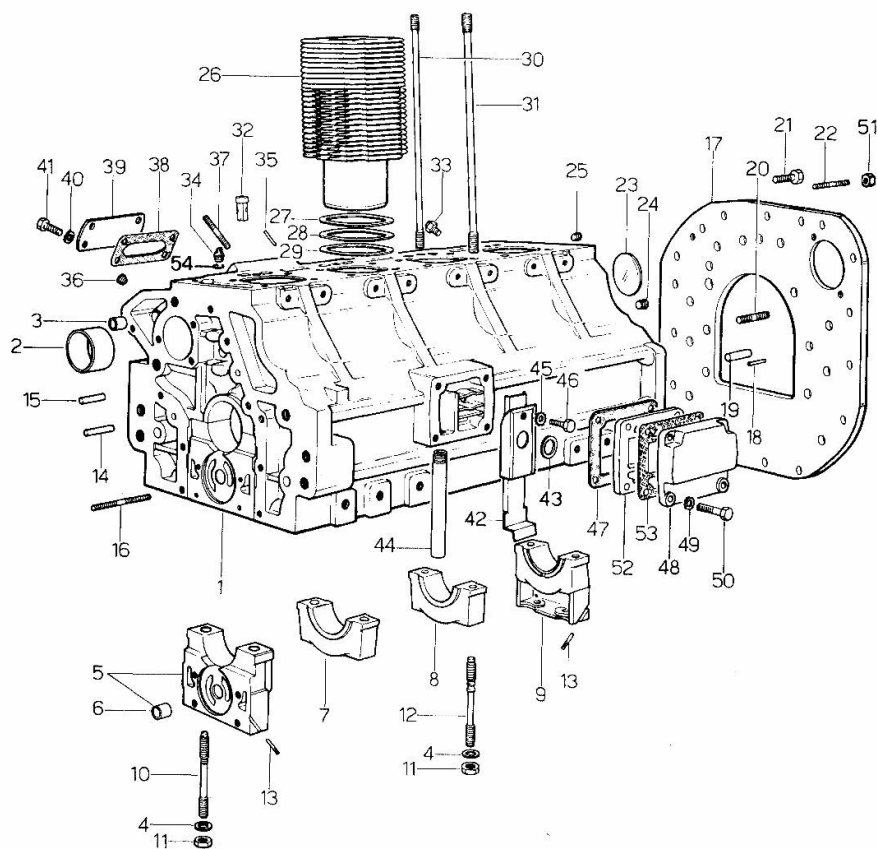


|    |                 |    |                               |
|----|-----------------|----|-------------------------------|
| 0  | 0.045.0050.6    | 1  | gasket set                    |
| 1  | 0.044.1110.4/60 | 1  | crankcase                     |
| 2  | 0.037.1155.0    | 1  | bushing                       |
| 3  | 2.1559.111.0    | 2  | bushing 12x14x10              |
| 4  | 2.1599.144.7    | 10 | shoulder ring 12.5x23x4       |
| 5  | 0.004.8774.3    | 1  | support                       |
| 6  | 2.1559.090.0/10 | 1  | bushing 14.24x19.06x27        |
| 7  | 0.037.1114.0    | 1  | support                       |
| 8  | 0.029.1113.0    | 2  | support                       |
| 9  | 0.029.1116.0    | 1  | support                       |
| 10 | 0.021.1157.0    | 4  | stud bolt                     |
| 11 | 2.1019.026.1    | 10 | special nut m 12 p.1.5        |
| 12 | 0.029.1117.0    | 6  | stud bolt                     |
| 13 | 0.029.1154.0    | 4  | gasket                        |
| 14 | 2.1699.114.0    | 1  | pin 8x55                      |
| 15 | 2.1653.711.0    | 1  | pin                           |
| 16 | 2.0432.025.1    | 2  | stud bolt m 8 p 1.25-1x100    |
| 17 | 0.045.1152.0/10 | 1  | plate                         |
| 18 | 2.1653.708.0    | 2  | pin 8x18                      |
| 19 | 2.1652.911.0    | 2  | cylindrical plug 12x25        |
| 20 | 2.0432.153.2    | 2  | stud bolt                     |
| 21 | 2.0112.513.2    | 11 | screw m 14 p.2 x 35           |
| 22 | 2.0432.255.2    | 2  | stud bolt m 12 p.1.75-1.25x25 |
| 23 | 2.3170.022.1    | 1  | expansion plug 60             |
| 24 | 2.3130.003.1    | 2  | plug 3/8" gas                 |
| 25 | 2.3130.002.1    | 1  | plug 1/4" gas                 |
| 26 | 0.045.1120.0/10 | 4  | engine cylinder               |
| 27 | 2.1589.052.0    | 8  | shoulder ring 115x123x0.2     |
| 28 | 2.1589.051.0    | 4  | shoulder ring 116x123x0.1     |
| 29 | 2.1569.076.0    | 4  | gasket 116x123x0.5            |
| 30 | 0.041.1123.0    | 4  | stud bolt m 10                |
| 31 | 0.039.1122.0    | 16 | stud bolt m 12 p.1.5x310      |
| 32 | 0.044.1156.0    | 8  | special bushing               |
| 33 | 0.041.1151.3/10 | 4  | sprayer nozzle                |
| 34 | 0.054.1150.0    | 1  | pipe fitting                  |
| 35 | 2.1653.507.0    | 2  | pin                           |
| 36 | 2.3139.001.0    | 5  | plug m 12 p.1.75              |
| 37 | 2.0432.003.2    | 4  | stud bolt m 8 p.1x20          |
| 38 | 0.044.1151.0    | 1  | gasket                        |
| 39 | 0.044.1150.0    | 1  | cover                         |
| 40 | 2.1310.004.2    | 4  | flat washer 8.4x17            |

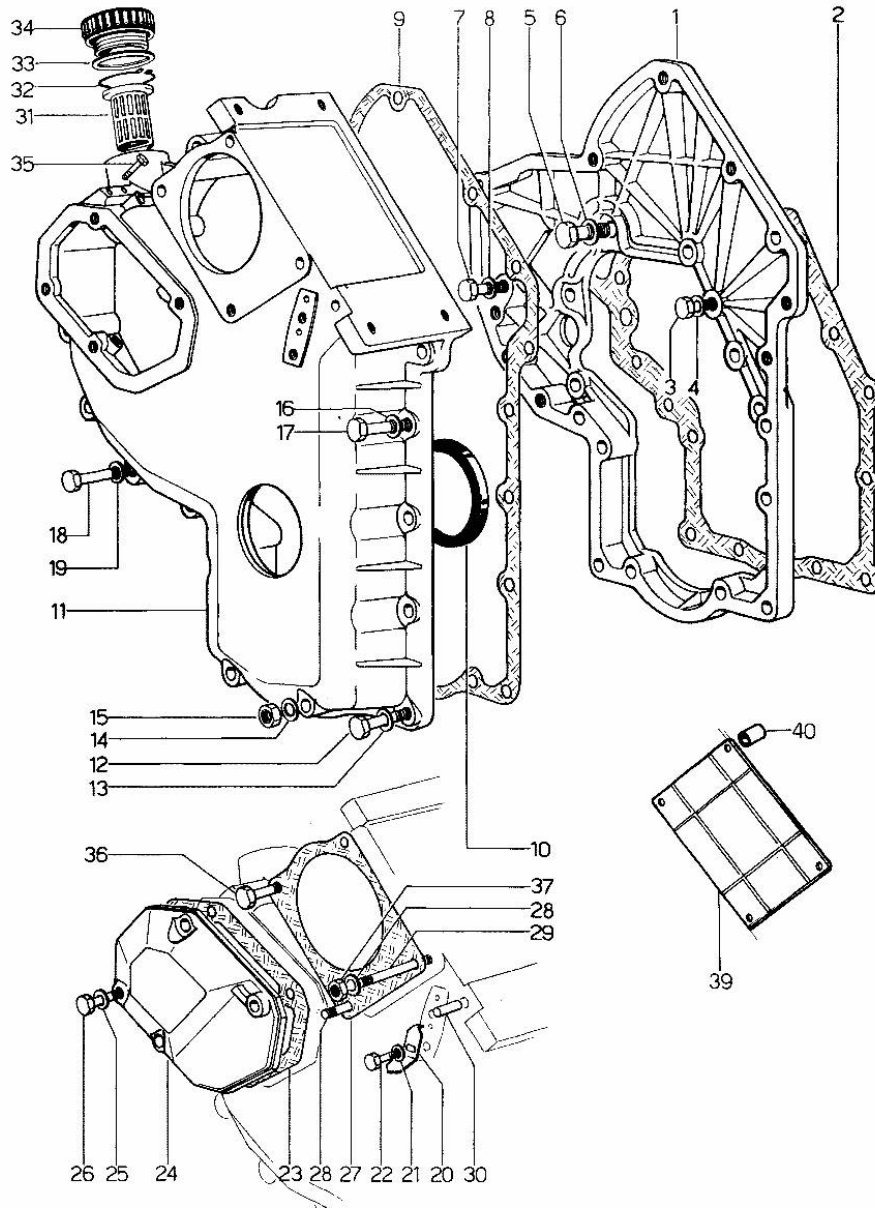
Section: ENGINE

**CRANKCASE**

| Fig. | P/n             | QTY | Name                  |
|------|-----------------|-----|-----------------------|
| 41   | 2.0112.204.2    | 4   | screw m 8 p.1.25x14   |
| 42   | 0.045.1151.2/20 | 1   | cover                 |
| 43   | 0.045.1150.0    | 1   | oil seal              |
| 44   | 0.044.1152.0    | 1   | tube                  |
| 45   | 2.1474.009.2    | 1   | spring washer 8       |
| 46   | 2.0312.206.2    | 1   | screw m 8 p 1.25 x 20 |
| 47   | 0.044.1153.0/10 | 1   | gasket                |
| 48   | 0.044.1163.0    | 1   | cover                 |
| 49   | 2.1474.009.2    | 4   | spring washer 8       |
| 50   | 2.0112.211.2    | 4   | screw m 8 p.1.25 x 30 |
| 51   | 2.1011.207.2    | 2   | nut m 12 p.1.5        |
| 52   | 0.044.1160.0    | 1   | container             |
| 53   | 0.044.1161.0    | 1   | gasket                |
| 54   | 2.1560.006.0    | 1   | gasket 10.2 x 16      |



Section: ENGINE

**TIMING CASE**

| Fig.             | P/n             | QTY | Name                       |
|------------------|-----------------|-----|----------------------------|
| <b>Notes:</b>    |                 |     |                            |
| [R 684 Frutteto] |                 |     |                            |
| 1                | 0.048.1131.0    | 1   | flange                     |
| 2                | 0.041.1153.0    | 1   | gasket                     |
| 3                | 2.0112.209.2    | 5   | screw m 8 p 1.25 x 25      |
| 4                | 2.1474.009.2    | 5   | spring washer 8            |
| 5                | 2.0119.034.1    | 1   | screw m 14 p.2x20          |
| 6                | 2.1560.010.0    | 1   | gasket 14.2 x 20           |
| 7                | 2.0122.207.2    | 1   | screw m 8 p.1x20           |
| 8                | 2.1474.009.2    | 1   | spring washer 8            |
| 9                | 0.041.1152.0    | 1   | gasket                     |
| 10               | 2.1519.010.0    | 1   | special oil seal 58x80x10  |
| 11               | 0.048.1132.0/10 | 1   | guard                      |
| 12               | 2.0112.217.2    | 5   | screw m 8 p.1.25 x 45      |
| 13               | 2.1474.009.2    | 5   | spring washer 8            |
| 14               | 2.1560.003.0    | 2   | copper gasket 8.2 x 12     |
| 15               | 2.1011.405.2    | 2   | nut m 8 p.1                |
| 16               | 2.1474.009.2    | 2   | spring washer 8            |
| 17               | 2.0112.211.2    | 2   | screw m 8 p.1.25 x 30      |
| 18               | 2.0112.222.2    | 4   | screw m 8 p.1.25x65        |
| 19               | 2.1474.009.2    | 4   | spring washer 8            |
| 20               | 0.041.1158.0    | 1   | index                      |
| 21               | 2.1310.004.2    | 1   | flat washer 8.4x17         |
| 22               | 2.0112.204.2    | 1   | screw m 8 p.1.25x14        |
| 23               | 0.048.1152.0    | 1   | gasket                     |
| 24               | 0.048.1150.0/20 | 1   | cover                      |
| 25               | 2.1560.005.0    | 4   | copper gasket 10.2 x 14    |
| 26               | 2.0112.315.2    | 4   | screw m 10 p.1.5 x 40      |
| 27               | 0.041.1154.0    | 1   | gasket                     |
| 28               | 2.0432.015.2    | 1   | stud bolt m 8 p.1.25-1x50  |
| 29               | 2.0432.028.1    | 2   | stud bolt m 8 p.1.25-1x130 |
| 30               | 2.1653.717.0    | 1   | pin 8 x 40                 |
| 31               | 0.041.1159.0/10 | 1   | filter                     |
| 32               | 2.1411.012.1    | 1   | circlip 30                 |
| 33               | 2.1569.072.0    | 1   | gasket 32 x 39.5 x 2       |
| 34               | 0.041.1135.3    | 1   | plug                       |
| 35               | 2.0119.081.2    | 2   | screw                      |
| 36               | 2.0112.235.1    | 1   | screw m 8 p.1.25 x 130     |
| 37               | 2.1011.505.2    | 4   | nut m 8 p.1                |
| 38               | 2.1310.004.2    | 4   | flat washer 8.4x17         |
| 39               | 0.037.1151.0    | 1   | cover                      |
| 40               | 2.1579.358.0    | 4   | spacer 8.5x20x11           |

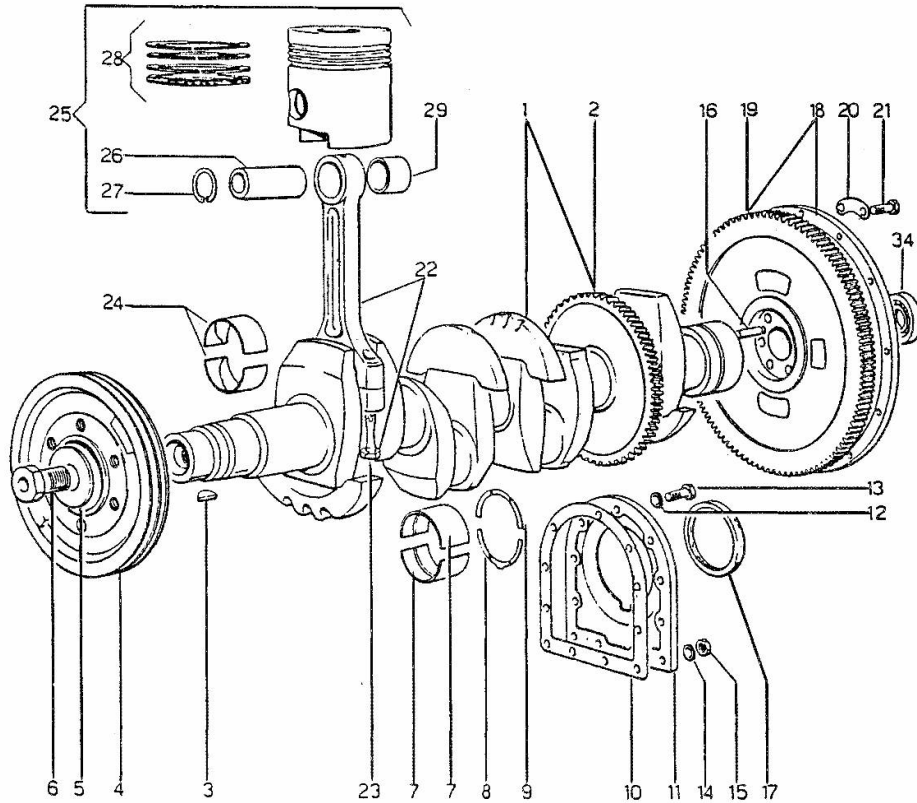
Section: ENGINE

**CRANKSHAFT**

| Fig. | P/n | QTY | Name |
|------|-----|-----|------|
|------|-----|-----|------|

Notes:

[R 684 Frutteto]

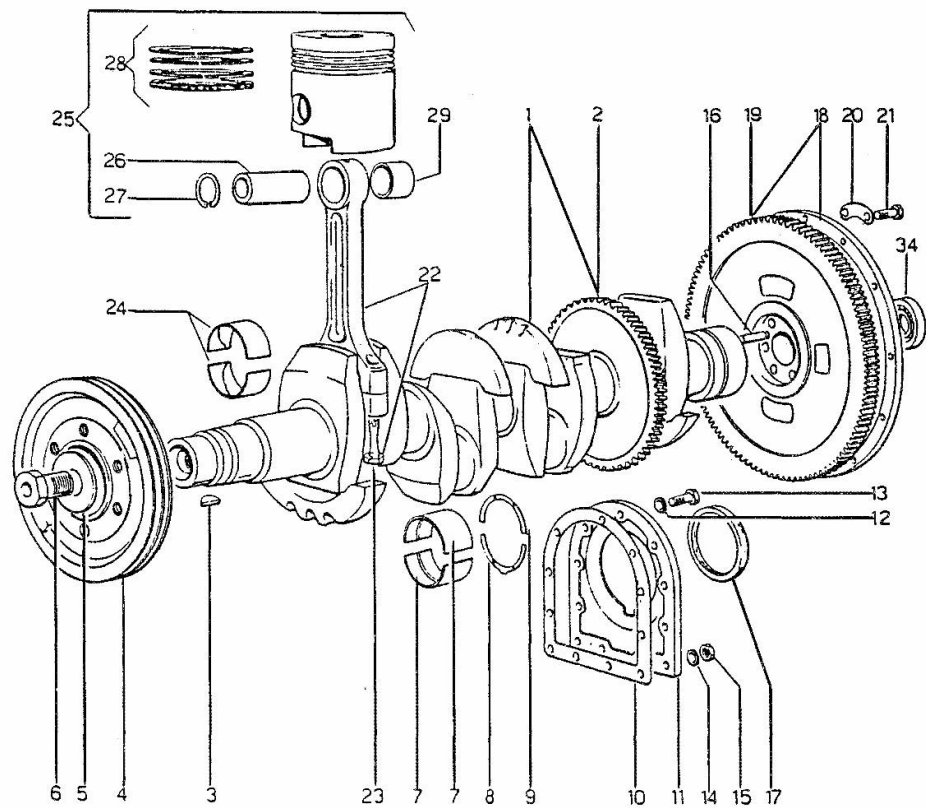


|    |                 |    |                                |
|----|-----------------|----|--------------------------------|
| 1  | 0.044.1267.4/20 | 1  | crankshaft                     |
| 1  | 2.1630.611.0    | 1  | roll pin 6 x 24                |
| 2  | 0.044.1265.0/20 | 1  | gear                           |
| 3  | 2.1799.002.0    | 1  | stick 10x13                    |
| 4  | 0.044.1244.0/50 | 1  | pulley                         |
| 5  | 0.001.6020.0    | 1  | shoulder                       |
| 6  | 2.0129.032.2    | 1  | screw m 24 p.2x45              |
| 7  | 0.029.0066.0    |    | main half bushing - mm 1.00    |
| 7  | 0.029.1215.0/10 | 10 | main half bushing              |
| 7  | 0.029.1215.7    |    | main half bushing - mm 0.25    |
| 7  | 0.029.1215.8    |    | main half bushing - mm 0.50    |
| 7  | 0.029.1215.9    |    | main half bushing - mm 0.75    |
| 8  | 0.001.4547.0    |    | shoulder ring + mm 0.05        |
| 8  | 0.001.4548.0    |    | shoulder ring + mm 0.10        |
| 8  | 0.001.4549.0    |    | shoulder ring + mm 0.15        |
| 8  | 0.042.1219.0    | 2  | shoulder ring STANDARD         |
| 9  | 0.001.4544.0    |    | shoulder ring + mm 0.05        |
| 9  | 0.001.4545.0    |    | shoulder ring + mm 0.10        |
| 9  | 0.001.4546.0    |    | shoulder ring + mm 0.15        |
| 9  | 0.042.1218.0    | 2  | shoulder ring STANDARD         |
| 10 | 0.029.1250.0    | 1  | gasket                         |
| 11 | 0.029.1240.0    | 1  | flange                         |
| 12 | 2.1474.010.2    | 7  | washer 10                      |
| 13 | 2.0112.309.2    | 7  | screw m 10 p.1.5 x 25          |
| 14 | 2.1560.006.0    | 2  | gasket 10.2 x 16               |
| 15 | 2.1011.421.2    | 2  | nut m 10 p.1.25                |
| 16 | 2.1652.915.0    | 2  | cylindrical plug 12x35         |
| 17 | 2.1519.009.0    | 1  | special oil seal               |
| 18 | 0.045.1251.3    | 1  | flywheel                       |
| 19 | 0.036.1242.0    | 1  | crown wheel Z = 126, mm 15     |
| 20 | 2.1379.006.0    | 3  | lock-tab 15x15x36,5            |
| 21 | 2.0122.515.2    | 6  | screw m 14 p.1.5x40            |
| 22 | 0.052.1220.3    | 4  | engine connecting rod          |
| 23 | 0.039.1250.0    | 8  | screw m 14 p.1.5x63            |
| 24 | 0.039.1225.7    |    | con.rod half bushing -mm 0.254 |
| 25 | 0.053.0060.6    |    | complete piston                |
| 25 | 0.053.0061.6    |    | complete piston +mm 0.5        |
| 25 | 0.053.0062.6    |    | complete piston + mm 1         |
| 26 | 0.002.4167.0    | 4  | piston pin                     |
| 27 | 2.1411.014.1    | 8  | circlip 35                     |
| 28 | 0.053.0052.6    | 4  | piston ring set                |

Section: ENGINE

**CRANKSHAFT**

| Fig. | P/n          | QTY | Name                    |
|------|--------------|-----|-------------------------|
| 28   | 0.053.0053.6 |     | piston ring set +mm 0.5 |
| 28   | 0.053.0054.6 |     | piston ring set + mm 1  |
| 29   | 0.002.4168.0 | 4   | bearing                 |
| 34   | 2.2041.008.0 | 1   | ball bearing 20x47x14   |

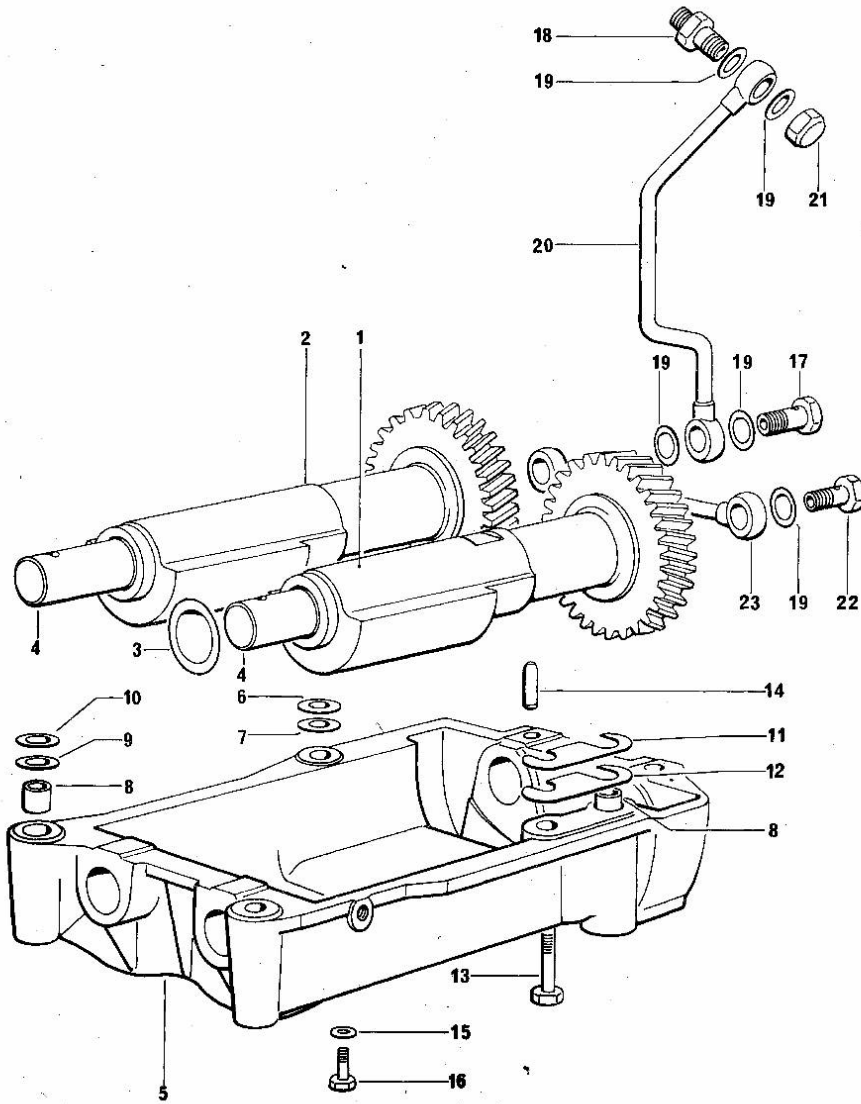


Section: ENGINE  
**COUNTERWEIGHTS**

| Fig. | P/n | QTY | Name |
|------|-----|-----|------|
|------|-----|-----|------|

Notes:  
 [R 684 Frutteto]

|    |                 |   |                               |
|----|-----------------|---|-------------------------------|
| 1  | 0.044.1263.3/20 | 1 | mass sx/lh/li                 |
| 1  | 2.1559.115.0    | 2 | special bushing 26x30x30      |
| 2  | 0.044.1261.3/10 | 1 | mass dx/rh/re                 |
| 2  | 2.1559.115.0    | 2 | special bushing 26x30x30      |
| 3  | 2.1589.050.0    | 4 | shim                          |
| 4  | 0.044.1266.0/20 | 2 | shaft                         |
| 5  | 0.044.1260.0/20 | 1 | shaft                         |
| 6  | 2.1589.049.0    | 2 | shoulder ring 12.5x26x0.3     |
| 7  | 2.1579.629.0    | 2 | spacer 12.5x26x0.1            |
| 8  | 2.1579.626.0    | 2 | spacer 13.2x16x11             |
| 9  | 2.1579.628.0    | 1 | spacer 16.5x26x0.1            |
| 10 | 2.1589.048.0    | 1 | shoulder ring 16.5x26x0.3     |
| 11 | 2.1379.038.0    | 2 | shim mm 0.1                   |
| 12 | 2.1379.039.0    | 1 | shim mm 0.3                   |
| 13 | 2.0112.426.1    | 2 | screw m 12 p.1.75x85          |
| 14 | 2.1631.717.0    | 2 | roll pin 8 x 40               |
| 15 | 2.1474.009.2    | 2 | spring washer 8               |
| 16 | 2.0112.204.2    | 2 | screw m 8 p.1.25x14           |
| 17 | 2.3339.515.2    | 1 | pipe fitting                  |
| 18 | 2.3319.041.1    | 1 | pipe union m 12 p.1.25-p.1.75 |
| 19 | 2.1560.007.0    | 7 | gasket 12.2x16                |
| 20 | 0.044.1562.2    | 1 | tube                          |
| 21 | 2.1019.048.1    | 1 | special nut m 12 p.1.5        |
| 22 | 2.3332.003.2    | 1 | pipe union m 12 p.1.25 x 23   |
| 23 | 0.319.1550.3    | 1 | tube                          |



Section: ENGINE

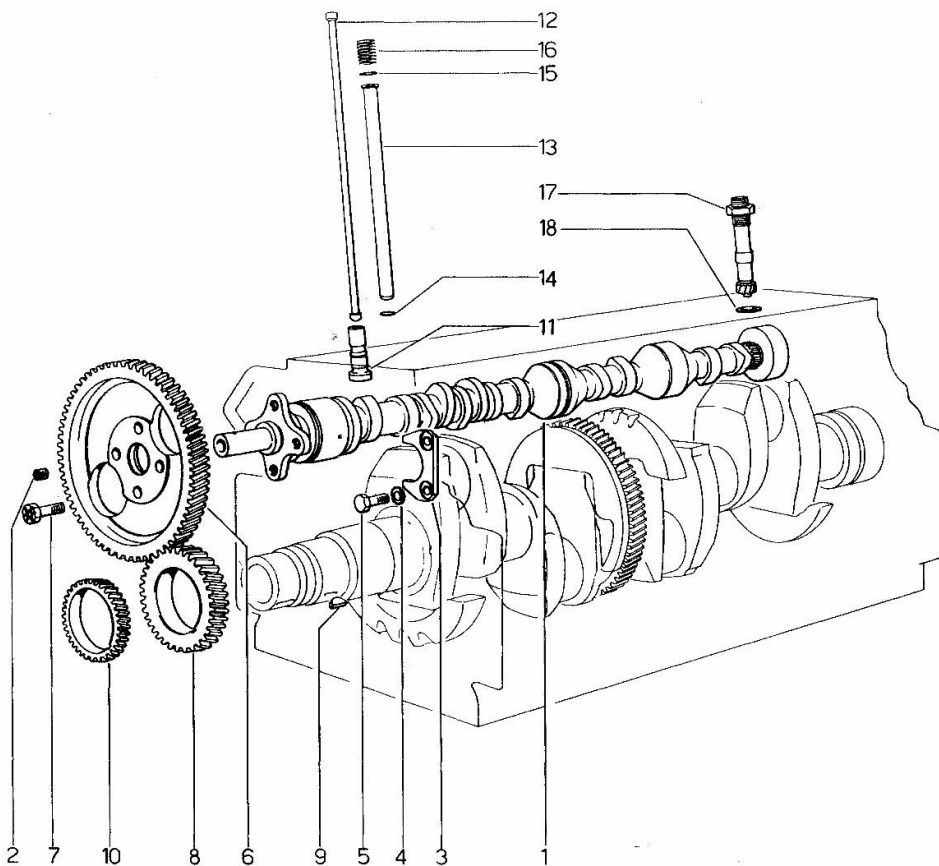
**CAMSHAFT**

| Fig. | P/n | QTY | Name |
|------|-----|-----|------|
|------|-----|-----|------|

**Notes:**

[R 684 Frutteto]

|    |                 |   |                             |
|----|-----------------|---|-----------------------------|
| 1  | 0.044.1310.0/30 | 1 | camshaft                    |
| 2  | 2.3120.001.4    | 1 | plug m 18 p.1.5             |
| 3  | 0.027.1314.0    | 1 | flange                      |
| 4  | 2.1470.004.2    | 2 | lock washer 8               |
| 5  | 2.0112.207.2    | 2 | screw m 8 p 1.25 x 20       |
| 6  | 0.041.1321.0    | 1 | gear z = 66                 |
| 7  | 2.0139.005.1    | 4 | screw m 10 p.1 x 25         |
| 8  | 0.040.1320.0    | 1 | gear z = 33                 |
| 9  | 2.1720.010.0    | 1 | key 5x9                     |
| 10 | 0.040.1323.0/10 | 1 | gear Z = 38                 |
| 11 | 0.052.1330.0/20 | 8 | tappets                     |
| 12 | 0.041.1331.3    | 8 | rod                         |
| 13 | 0.041.1332.0    | 8 | sleeve                      |
| 14 | 2.1539.020.0    | 8 | special oil seal 13.95x2.62 |
| 15 | 2.1539.022.0    | 8 | special oil seal 12.37x2.62 |
| 16 | 2.4019.162.1/20 | 8 | spring 17.2x46x1.8          |
| 17 | 0.041.1355.3    | 1 | transmission                |
| 18 | 2.1560.013.0    | 1 | gasket 18.2x22              |



**Buy Now**



Our support email:

[ebooklibonline@outlook.com](mailto:ebooklibonline@outlook.com)